

ROTOFLUX SRL - MADE IN ITALY  
罗拓福斯旋转接头 - 意大利制造



**WE HAVE THE RIGHT CHOICE  
FOR EACH APPLICATION.**

我们的产品在每个行业的应用都有上佳选择。



ROTARY UNIONS 旋转接头

## Index 索引目录

Page / 页 1	Inquiry Form <b>客户需求表</b>
Page / 页 2	Introduction <b>介绍</b>
Page / 页 3-5	Installation <b>安装</b>
Page / 页 6-8	Application Examples <b>应用实例</b>
Page / 页 9-14	Rotoflux Universal <b>罗拓福斯通用型</b>
Page / 页 15-18	Rotoflux Large Capacity <b>罗拓福斯大容量设计</b>
Page / 页 19-24	Rotoflux for Printing Machines <b>印刷机用罗拓福斯</b>
Page / 页 25-28	Rotoflux Simple <b>罗拓福斯简易型</b>
Page / 页 29-30	Rotoflux Low Torque <b>罗拓福斯低扭矩</b>
Page / 页 31-32	Rotoflux for Continuous Casting Application <b>罗拓福斯在连续铸造模领域的应用</b>
Page / 页 33-36	Rotoflux Sainless Stell Unions <b>罗拓福斯不锈钢接头</b>
Page / 页 37-38	Rotoflux Air, Vacuum, Hydraulic Oil <b>罗拓福斯在空压、真空、液压油领域的应用</b>
Page / 页 39-40	Rotoflux in the Shaft Mounting <b>罗拓福斯在轴安装领域的应用</b>
Page / 页 41-46	Rotoflux for High Temperature <b>罗拓福斯在高温的应用</b>
Page / 页 47-62	Rotoflux for High Speed Application <b>罗拓福斯在高速度领域的应用</b>
Page / 页 63-65	Rotoflux for Machine Tools Application <b>罗拓福斯在机械工具领域的应用</b>
Page / 页 66-67	Rotoflux Around Passage <b>罗拓福斯环绕通道</b>
Page / 页 68	Rotoflux High Pressure, High Speed <b>罗拓福斯在高压和高速度下的应用</b>
Page / 页 69	Rotoflux Around the Shaft Union <b>罗拓福斯在轴接头外围的应用</b>
Page / 页 70-81	Rotoflux High Pressure and Low Speed <b>罗拓福斯在高压低速领域的应用</b>
Page / 页 82	Rotoflux Special Version <b>罗拓福斯特殊型号</b>
Page / 页 83	Rotoflux Spare Parts <b>罗拓福斯配件</b>

## Inquiry Form 询价单

Fill out information and fax back to us  
请填写下方表格信息并发传真给我们 ( 传真: 0086-574-5583 3958 )

Company _____ 公司名称	
Mr./Mrs. _____ 先生/女士	
Tel _____ 电话	Fax _____ 传真
E-Mail _____ 邮件	Web _____ 网站
Media _____ 流体	Clean or Dirty Media _____ 干净或劣质流体
Media Pressure _____ 流体压力	Kind of Application _____ 应用场合
Rotation Speed _____ 旋转速度	Type of Machine _____ 机器型号
Media Temperature _____ 流体温度	Special Condition _____ 特殊条件
Union Size _____ 外形尺寸要求	Manufacturer and Part Number of Present Union _____ 目前所使用厂牌
Rotor Thread _____ 转子螺纹尺寸	Quantity Required _____ 需求数量
N. of Passages _____ 通道数量	Annual Quantity _____ 年需求数量

### Introduction 企业介绍

The company ROTOFLUX was established with the mission to fulfill the needs of the current market of rotary unions, with special emphasis on providing a quality product with the best quality, at an affordable price, with a solid after sales service. Thanks to the technical and commercial experience of its staff, ROTOFLUX has been rapidly recognized as one of the market leaders in the field of rotary unions. A large inventory of standard unions and its efficient logistic organization, combined with maximum attention and dedication towards its Customer, allow ROTOFLUX to offer very short delivery times.

罗拓福斯公司成立的使命, 是满足当前旋转接头市场的需求, 尤其强调为客户提供优质的产品, 以合理的价格销售, 并提供坚实的售后服务。这一切得益于我们的团队雄厚的技术储备及成熟的商业经验, 罗拓福斯已经迅速被认可为旋转接头领域市场领导者之一。大库存量的标准接头和高效物流组织能力, 结合我们对客户最大程度的关注和奉献精神, 使得罗拓福斯能提供非常短的交货时间。

### Warranty 保修说明

ROTOFLUX warrants that the products are free from any defect in material or machining. Unless expressly agreed in writing the liability of ROTOFLUX is limited to the replacement or repair of any proved defective union or part, returned to ROTOFLUX, transportation prepaid. The warranty is extended to 12 months from invoice date. There is not warranty of any kind extended beyond the limits as written above. ROTOFLUX will not be liable for any damage caused by the incorrect use of its unions.

罗拓福斯保证所有产品不存在任何材料或机加工缺陷。除非明确书面同意, 否则罗拓福斯的责任仅限于更换或修理任何经证明有缺陷的转接头或零件, 请将缺陷产品返还给罗拓福斯, 运费预付。产品保修期从发票日期起延长至12个月。不存在任何超出上述限制的保证。若因不正确使用其接头而造成任何损害, 罗拓福斯概不负责。

### Important 重要信息

The use of ROTOFLUX unions with dangerous, flammable, corrosive, toxic or explosive fluids is strictly forbidden. ROTOFLUX reserves the right to modify the catalog without any advise.

严禁将罗拓福斯转接头与具有危险、易燃、腐蚀性、有毒或爆炸性液体一起使用。罗拓福斯保留修改目录的权利, 恕不另行通知。

### Quality 产品质量

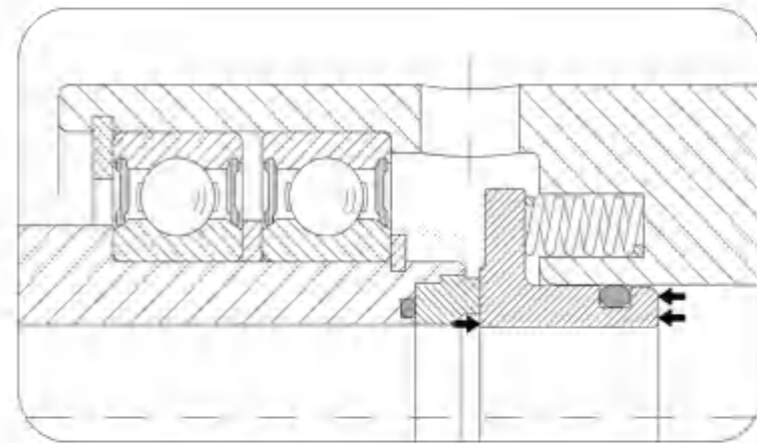
The quality of ROTOFLUX's unions is continuously guaranteed, and every single union is tested prior to dispatch. High quality materials (stainless steel, steel, aluminum, brass) are used in order to manufacture all ROTOFLUX's unions. A strict control of all the manufacturing process steps, necessary to produce all sub-components guarantees that all ROTOFLUX's unions respect the key technical specifications needed by the Customer.

罗拓福斯转接头的质量会得到持续保证, 每个转接头在出货前都已通过测试。我们采用优质材料(不锈钢、钢、铝、黄铜)制造所有罗拓福斯的接头。严格控制生产所有子组件所需的所有制造过程步骤, 确保所有罗拓福斯转接头遵循客户所需的关键技术规范。

### Rotoflux Balanced Seals 罗拓福斯平衡密封

Carbide to carbon graphite seals are used for clean water, air, vacuum, hot oil application. Carbide to carbide seals are used for applications with poor filtered water, hydraulic oil, coolant, abrasive fluids. The seal faces are micro-lapped for a perfect mating.

石墨密封件用于清洁水、空气、真空、热油的密封。碳化钨密封环用于过滤较差的水、液压油、冷却液、研磨液等。这种密封环的结合面都做了微研磨处理, 以达到精确的配合。



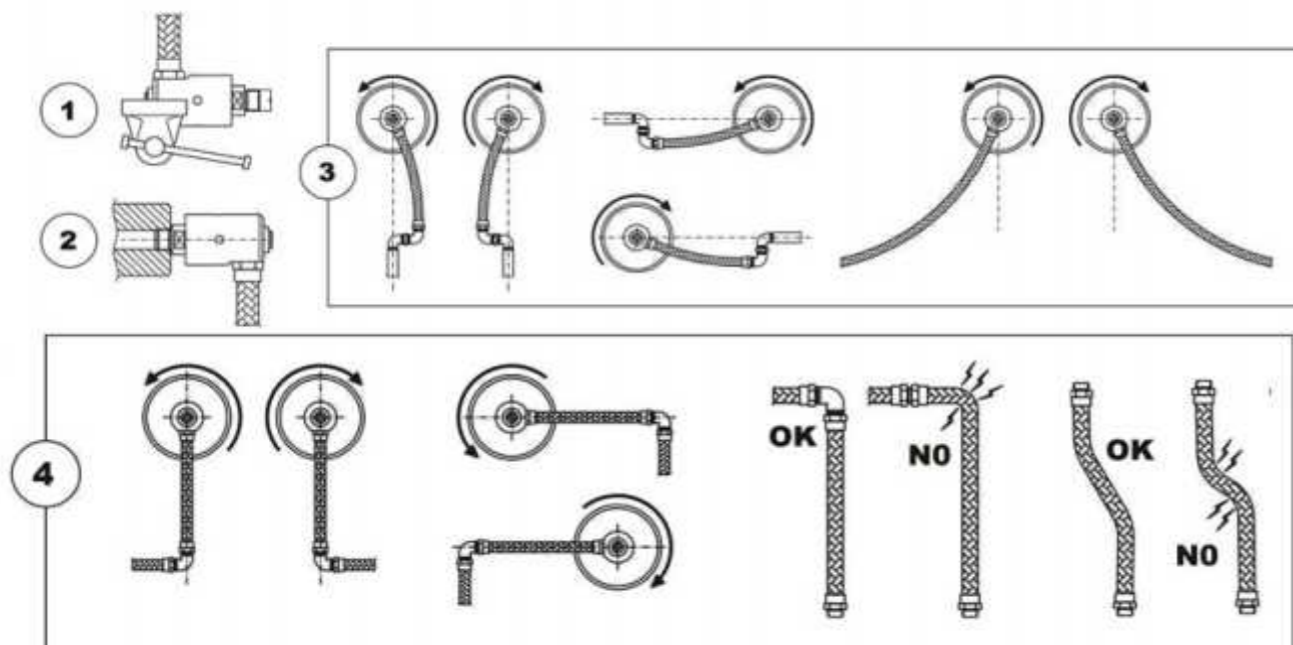
## Installation 安装说明

Even if the ROTOFLUX unions are solid and stout, they must be handled with care. For a proper installation we suggest to proceed as follows:

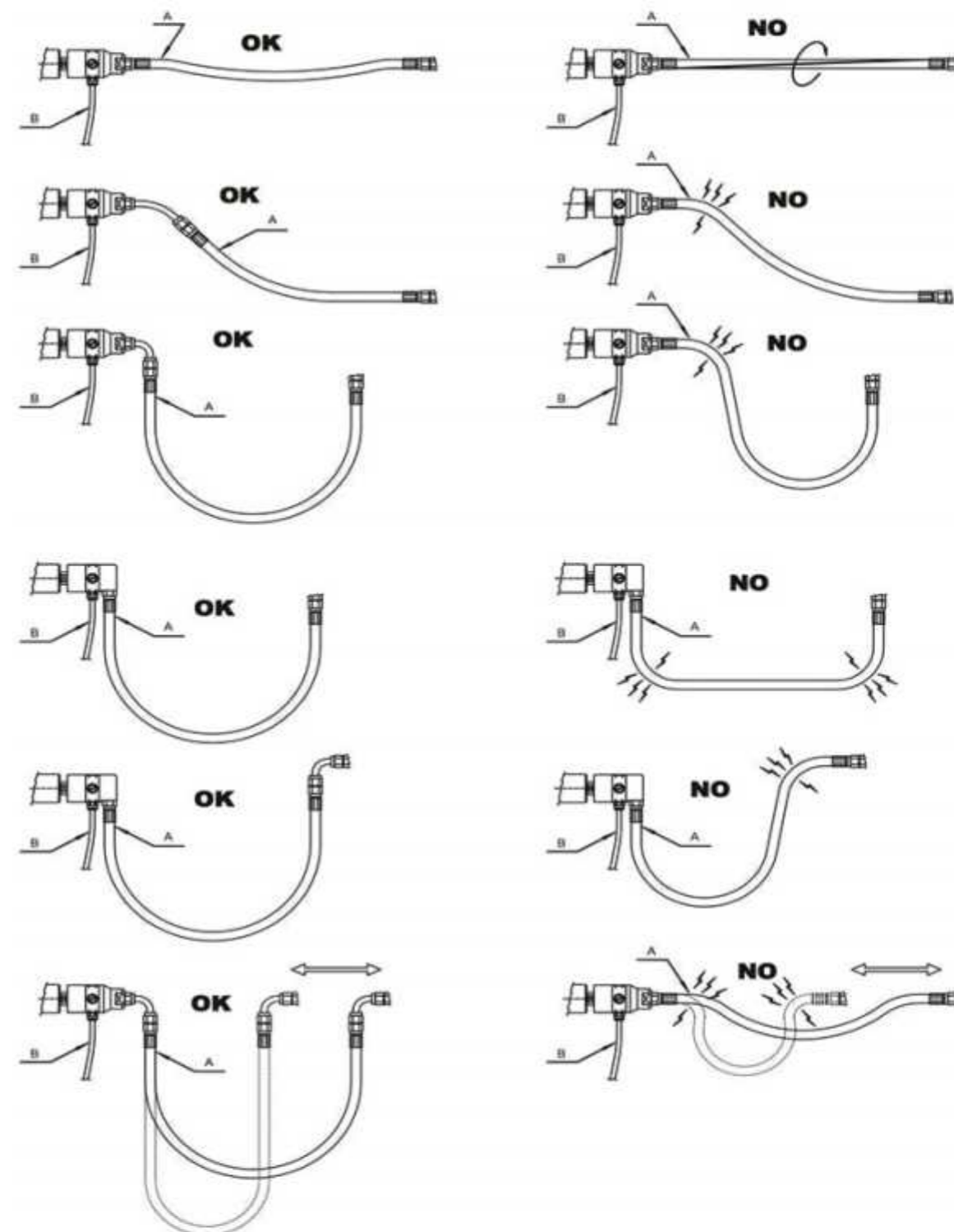
- Make sure that the fluid circuit, when new, has been properly cleaned and made free from any machining burr or abrasive particle. In existing fluid circuit make sure that the filter quality and functionality are in accordance with the normal requirements of hydraulic circuit.
- Clamp in a bench vice the rear of the union and screw up the flexible hose. (sketch ①)  
Do not use solid pipes.
- Install the rotary union on to the shaft. ( sketch ②)
- Connect the flexible hose to the supply line. Make sure that the union is not installed taut. (sketch ③)
- When using metallic flexible hoses in short space with sharp curves, use rigid 45 or 90 elbows to avoid undue stresses. (sketch ④)
- Check that the union does not rotate eccentric or wobbling.
- If the fluid is hot or dangerous for any reason, apply a union guard.
- When required, lubricate periodically the union.
- Inspect periodically the union to ensure the necessary maintenance and detect any leakage.

罗托福斯接头是坚实和牢固的，但它们也须被细心处理。为了确保正确安装，我们建议按以下步骤进行：

- 确保新的油路已正确清洁，没有任何加工毛刺或磨粒。在现有的流体回路中，确保过滤器的质量和功能符合液压回路的正常要求。
- 将接头夹紧在接头后部，拧紧软管。（详见绘图①）不要使用硬质管。
- 将旋转接头安装到轴上。（详见绘图②）
- 将软管连接到供给管路上。确保接头安装时没有拉紧。（详见绘图③）
- 当金属软管用在短距离且弯曲度很大的时候，使用刚性的45或90弯头连接以避免不适当的应力。（详见绘图④）
- 检查接头是否转动偏心或摆动。
- 不论由于任何原因，液体是热的或危险的，应使用接头防护装置。
- 必要时，定期润滑接头。
- 定期检查接头，确保进行必要的维护，并检测是否有泄漏。



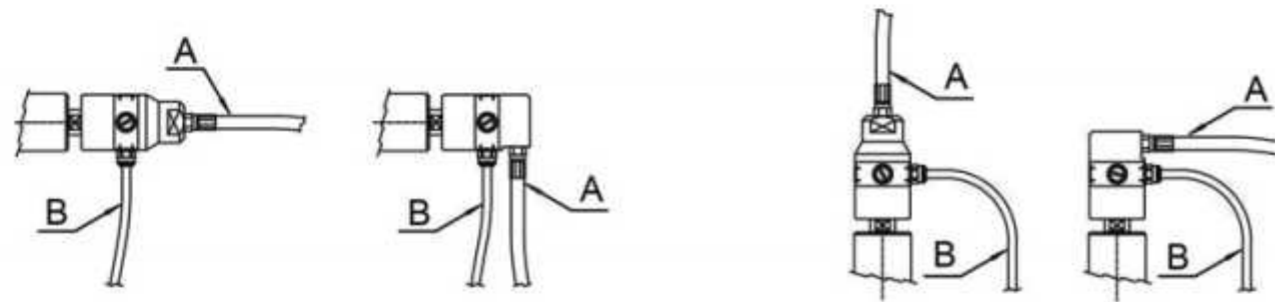
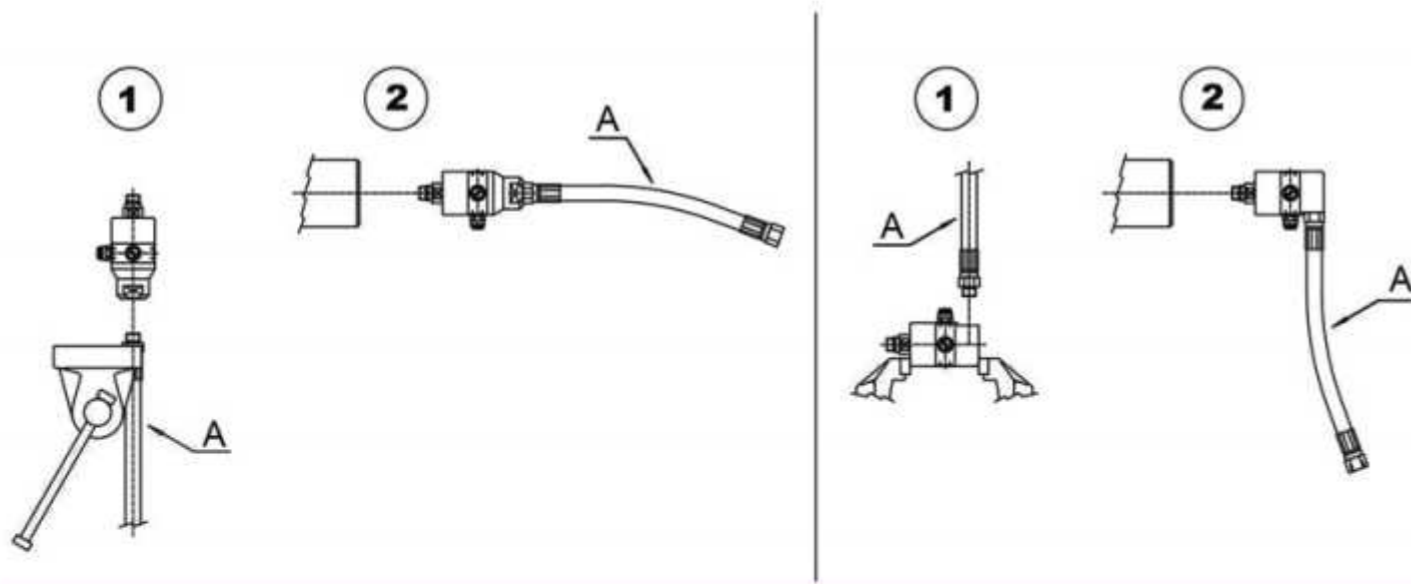
## Mounting Examples 安装示例



A: Supply Hose 供给管 B: Drain Pipe 排出管



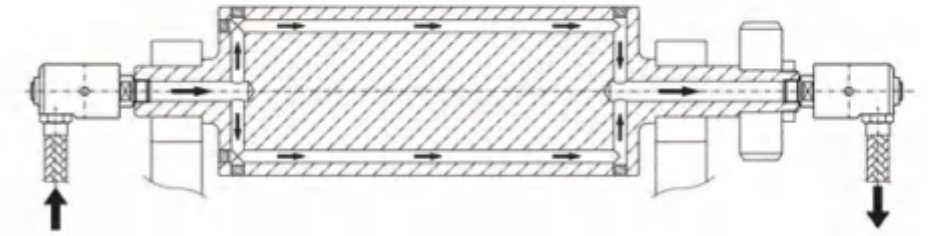
■ Mounting Examples 安装示例



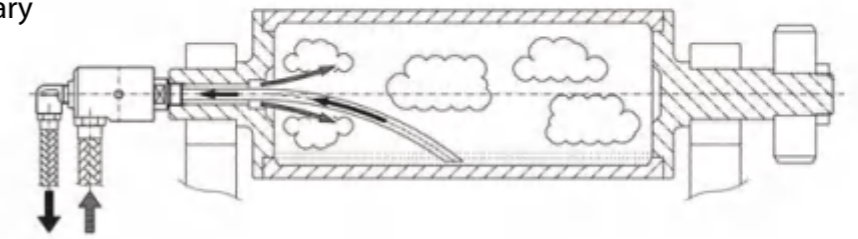
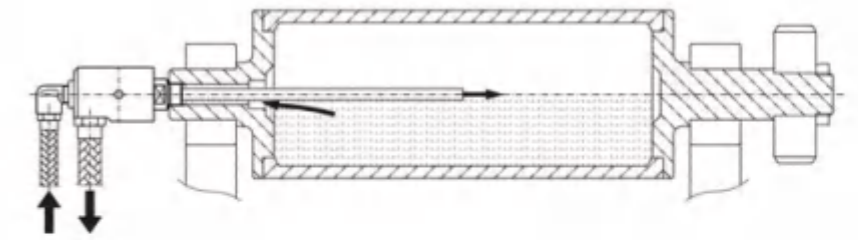
A: Supply Hose 供给管    B: Drain Pipe 排出管

■ Application Examples 应用示例

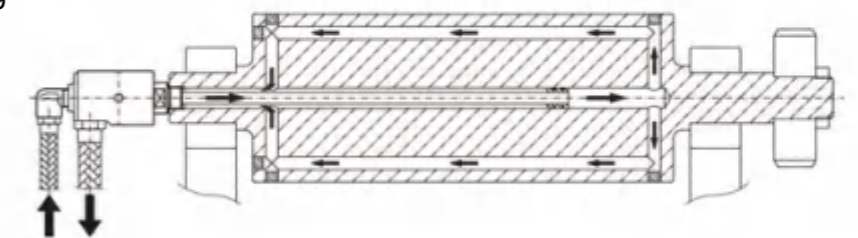
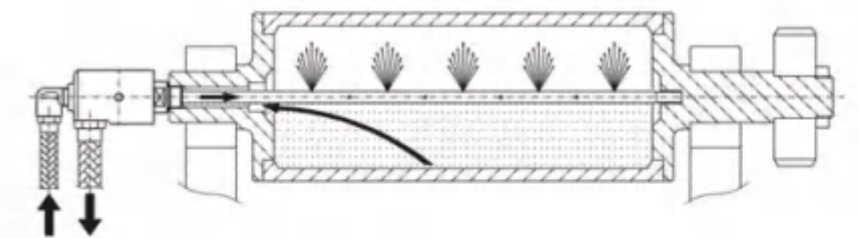
Rotoflux single passage  
罗拓福斯单通路



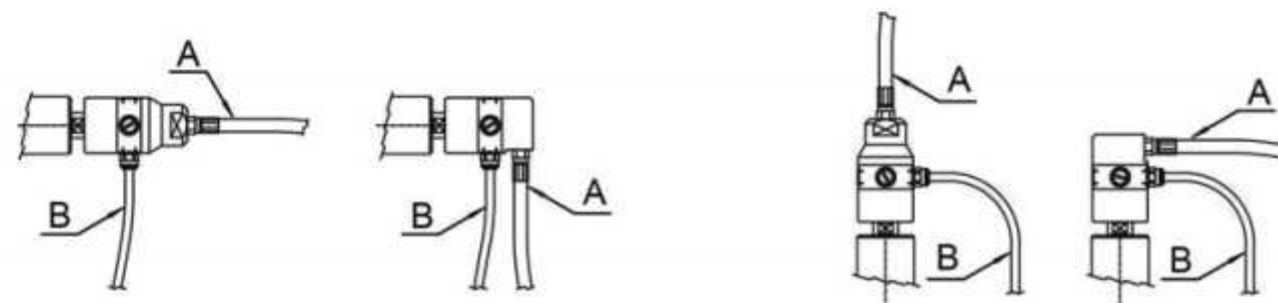
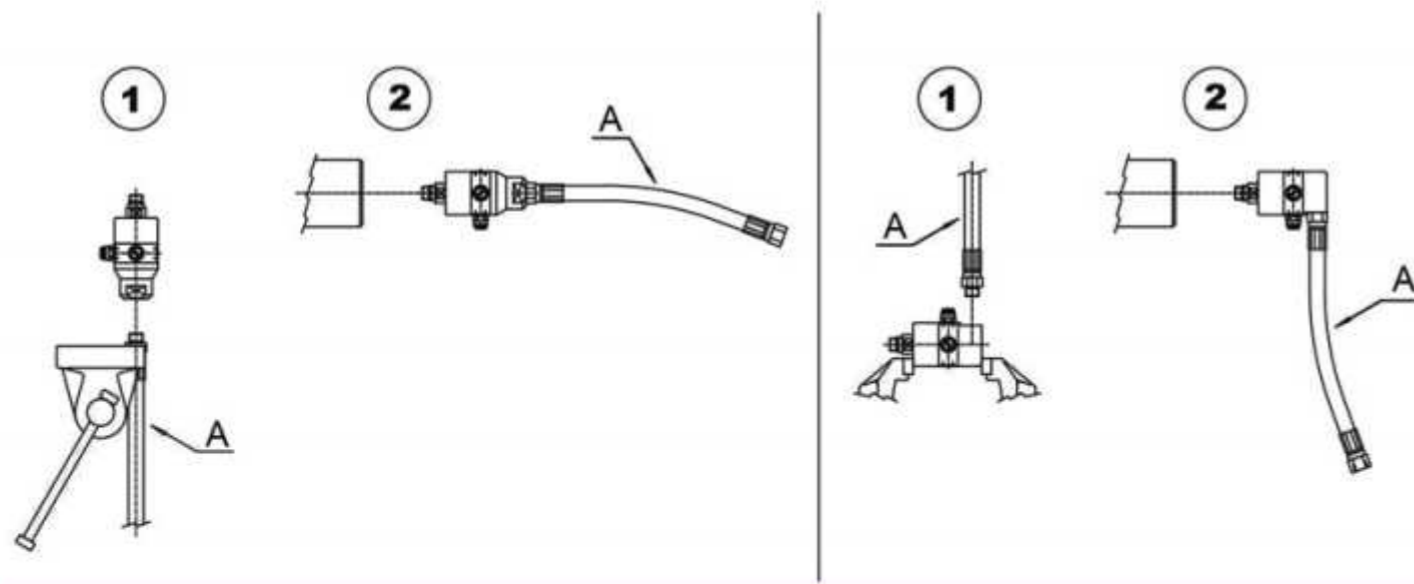
Rotoflux double passage stationary  
siphon  
双通路固定虹吸接头



Rotoflux double passage rotating  
siphon  
双通路旋转虹吸接头



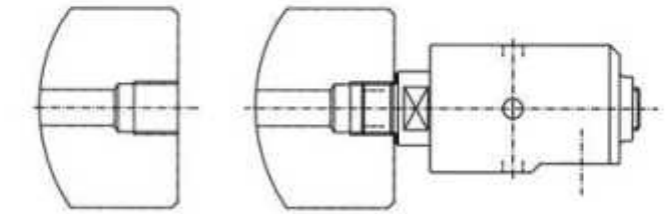
■ Application Examples 应用示例



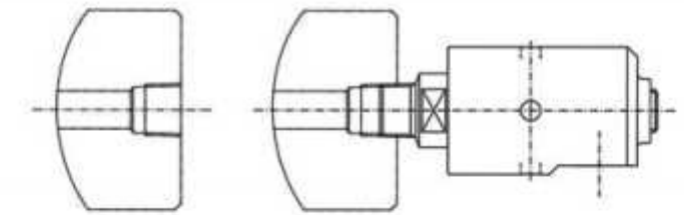
A: Supply Hose 供给管    B: Drain Pipe 排出管

■ Application Examples 应用示例

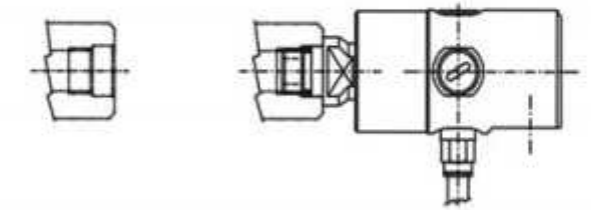
Mounting with G , UNF threads  
与G、UNF螺纹的安装



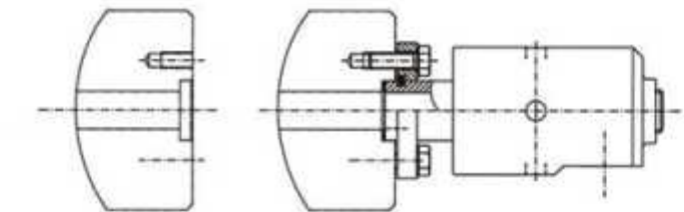
Mounting with NPT , PT threads  
与NPT、PT螺纹的安装



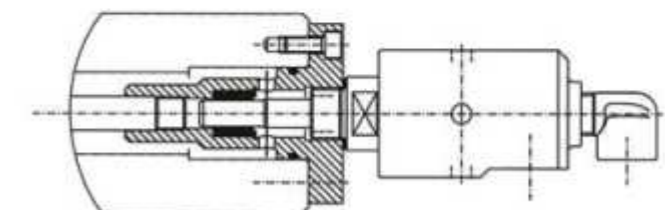
Mounting with thread and pilot for  
high speed application  
与带螺纹和导向的高速装置的安装



Mounting with rotor flange for both  
clockwise and counterclockwise rotation  
与顺时针及逆时针带转子法兰的安装



Mounting with siphon splitted in two parts  
for application with long siphon or high  
speed rotation  
与长虹吸或高速旋转应用的二分虹吸接头的安装



**Rotoflux Universal**  
罗拓福斯通用型

1/4" - 2"



Water 水	1/4" ÷ 1 1/2" ▷ 50 bar / 725 PSI 2" ▷ 40 bar / 580 PSI	95°C / 203°F	1/4" ÷ 3/4" ▷ 3.500 1" ▷ 3.000 1 1/4" ÷ 1 1/2" ▷ 2.500 2" ▷ 750

These unions are available with two different balanced and microlapped sealing assemblies :

- N Seal (Standard Sealing) with carbon graphite to carbide seals for application with filtered water.
- D Seal (Heavy duty sealing) with carbide to carbide seals for poor filtrated water or abrasive fluids.

Fluid pressure over 8 bar is allowed only when the fluid is cool water at max temperature 125°F (50°C).

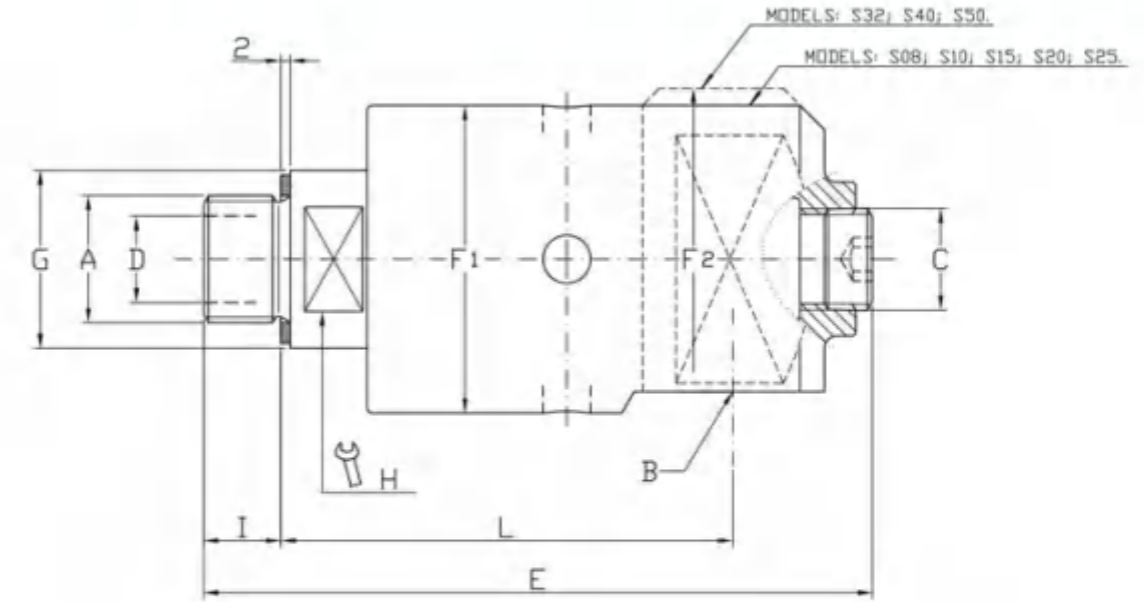
Do not use the unions at max application limits without consulting ROTOFLUX.

这些接头适用于两种不同平衡的和微研磨密封组件:

- N型密封 (标准密封), 石墨密封, 用于过滤水。
- D型密封 (重型密封), 碳化钨密封, 用于过滤性能差的水或研磨液。

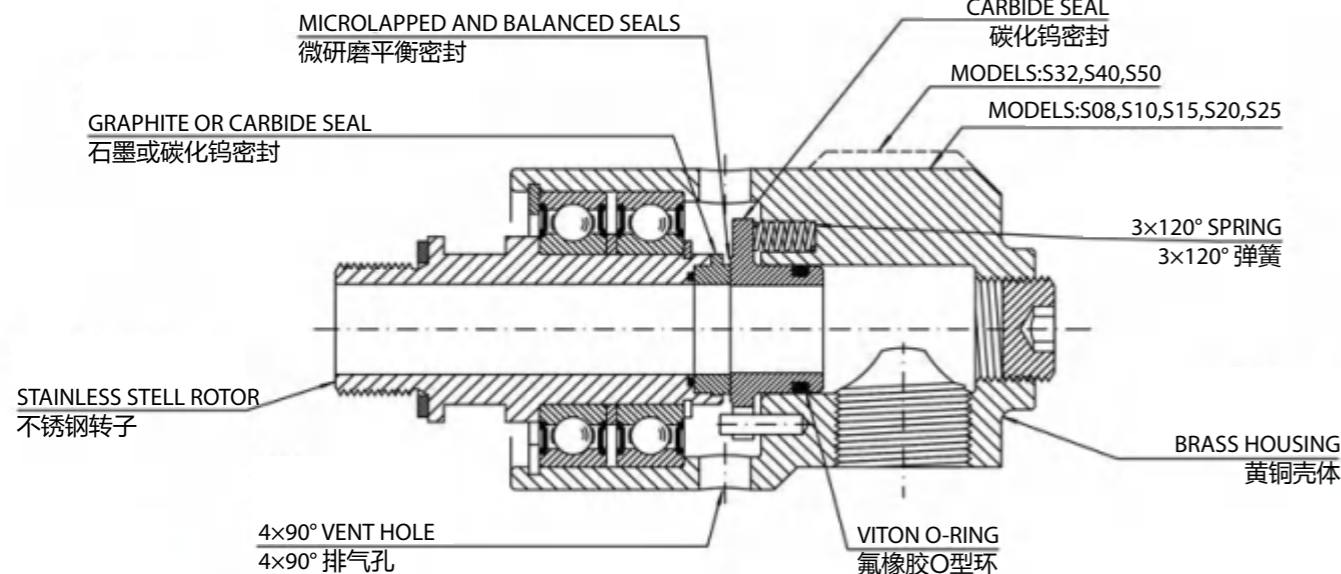
只有当流体为最高温度不超过125° F (50° C) 的冷水时, 才允许流体压力超过8bar。

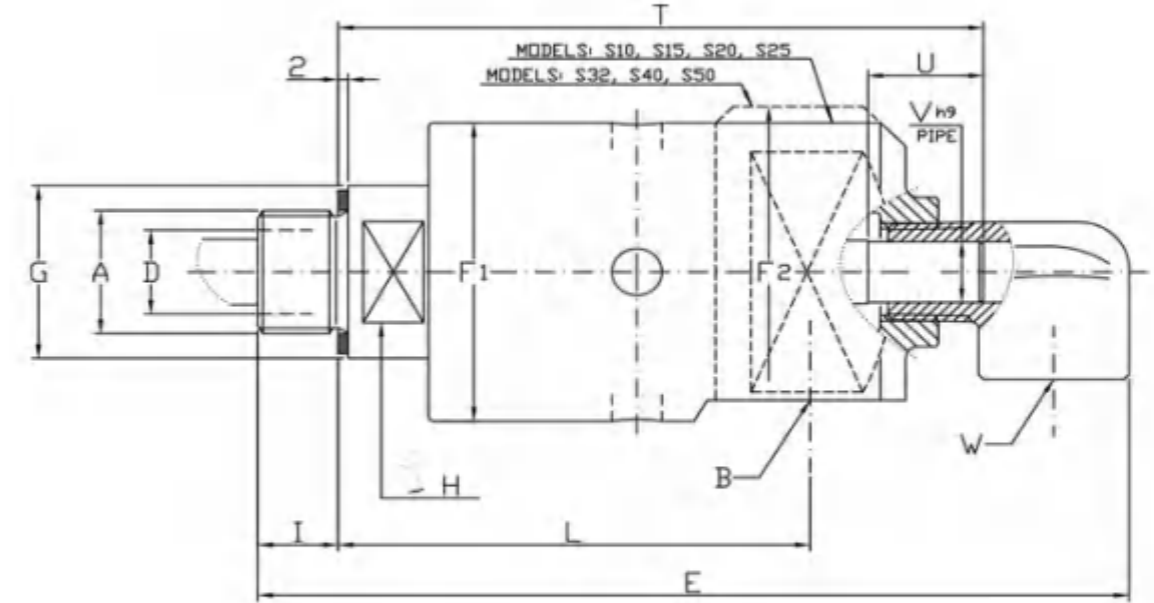
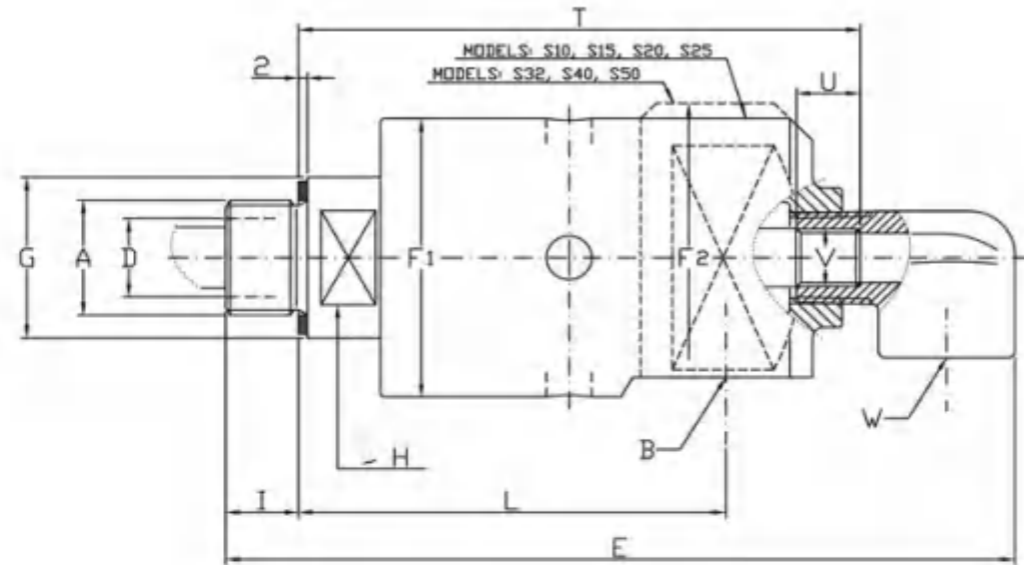
在未咨询ROTOFLUX的情况下, 请勿在最大应用限制下使用接头。



Ordering Code 订货代码		Single Passage Unions 单通路接头											
N Seal N型密封	D Seal D型密封	A	B	C	ØD	E	ØF1	ØF2	ØG	H	I	L	Kg
S08-1300-01R	S08-1301-01R	G 1/4" RH	G 1/4"	-	7	88	43	-	20	17	11	67	0.6
S08-1300-02L	S08-1301-02L	G 1/4" LH	G 1/4"	-	7	88	43	-	20	17	11	67	0.6
S10-1300-01R	S10-1301-01R	G 3/8" RH	G 3/8"	G 1/4"	9	106	43	-	25	17	13	73	0.7
S10-1300-02L	S10-1301-02L	G 3/8" LH	G 3/8"	G 1/4"	9	106	43	-	25	17	13	73	0.7
S15-1300-01R	S15-1301-01R	G 1/2" RH	G 1/2"	G 3/8"	13	120	54	-	30	24	13	82	1.3
S015-1300-02L	S015-1301-02L	G 1/2" LH	G 1/2"	G 3/8"	13	120	54	-	30	24	13	82	1.3
S20-1300-01R	S20-1301-01R	G 3/4" RH	G 3/4"	G 1/2"	18	139	64	-	37	30	16	94	1.9
S20-1300-02L	S20-1301-02L	G 3/4" LH	G 3/4"	G 1/2"	18	139	64	-	37	30	16	94	1.9
S25-1300-01R	S25-1301-01R	G 1" RH	G 1"	G 3/4"	23	162	69	-	45	36	20	105	2.5
S25-1300-02L	S25-1301-02L	G 1" LH	G 1"	G 3/4"	23	162	69	-	45	36	20	105	2.5
S32-1300-01R	S32-1301-01R	G 1 1/4" RH	G 1 1/4"	G 1"	31	181	85	94	55	46	22	119	3.9
S32-1300-02L	S32-1301-02L	G 1 1/4" LH	G 1 1/4"	G 1"	31	181	85	94	55	46	22	119	3.9
S40-1300-01R	S40-1301-01R	G 1 1/2" RH	G 1 1/2"	G 1 1/4"	36	208	93	109	60	50	24	132	5.1
S40-1300-02L	S40-1301-02L	G 1 1/2" LH	G 1 1/2"	G 1 1/4"	36	208	93	109	60	50	24	132	5.1
S50-1300-01R	S50-1301-01R	G 2" RH	G 2"	G 1 1/4"	48	223	112	119	70	60	25	139	6.8
S50-1300-02L	S50-1301-02L	G 2" LH	G 2"	G 1 1/4"	48	223	112	119	70	60	25	139	6.8

Metric threads , NPT threads and other threads are available  
适用于公制螺纹、NPT螺纹和其他螺纹





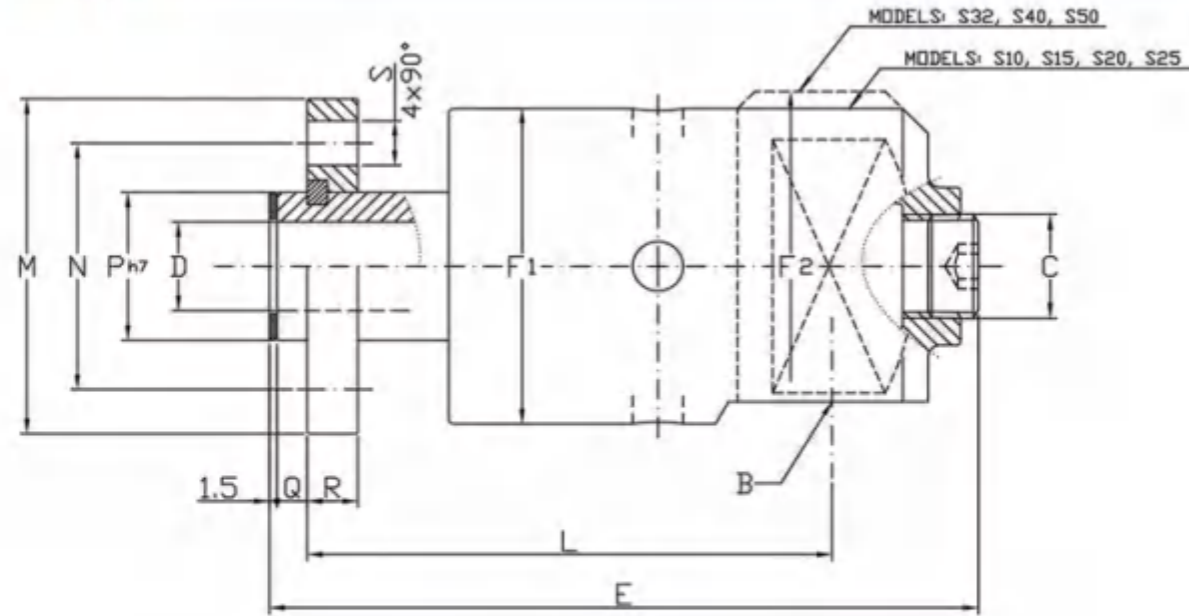
Ordering Code 订货代码		Double Passage Stationary Siphon 双通路固定虹吸管														
N Seal N型密封	D Seal D型密封	A	B	ØD	E	ØF1	ØF2	ØG	H	I	L	T	U	V	W	Kg
S10-1300-01R-800	S10-1301-01R-800	G 3/8" RH	G 3/8"	9	106	43	-	25	17	13	73	92	10	M6	G 1/4"	0.8
S10-1300-02L-800	S10-1301-02L-800	G 3/8" LH	G 3/8"	9	106	43	-	25	17	13	73	92	10	M6	G 1/4"	0.8
S15-1300-01R-800	S15-1301-01R-800	G 1/2" RH	G 1/2"	13	120	54	-	30	24	13	82	105	12	G 1/8"	G 3/8"	1.4
S015-1300-2L-800	S015-1301-2L-800	G 1/2" LH	G 1/2"	13	120	54	-	30	24	13	82	105	12	G 1/8"	G 3/8"	1.4
S20-1300-01R-800	S20-1301-01R-800	G 3/4" RH	G 3/4"	18	139	64	-	37	30	16	94	123	14	G 1/4"	G 1/2"	2.0
S20-1300-02L-800	S20-1301-02L-800	G 3/4" LH	G 3/4"	18	139	64	-	37	30	16	94	123	14	G 1/4"	G 1/2"	2.0
S25-1300-01R-800	S25-1301-01R-800	G 1" RH	G 1"	23	162	69	-	45	36	20	105	144	16	G 3/8"	G 1/2"	2.8
S25-1300-02L-800	S25-1301-02L-800	G 1" LH	G 1"	23	162	69	-	45	36	20	105	144	16	G 3/8"	G 1/2"	2.8
S32-1300-01R-800	S32-1301-01R-800	G 1 1/4" RH	G 1 1/4"	31	181	85	94	55	46	22	119	159	16	G 1/2"	G 3/2"	4.3
S32-1300-02L-800	S32-1301-02L-800	G 1 1/4" LH	G 1 1/4"	31	181	85	94	55	46	22	119	159	16	G 1/2"	G 3/2"	4.3
S40-1300-01R-800	S40-1301-01R-800	G 1 1/2" RH	G 1 1/2"	36	208	93	109	60	50	24	132	177	18	G 3/4"	G 1"	5.4
S40-1300-02L-800	S40-1301-02L-800	G 1 1/2" LH	G 1 1/2"	36	208	93	109	60	50	24	132	177	18	G 3/4"	G 1"	5.4
S50-1300-01R-800	S50-1301-01R-800	G 2" RH	G 2"	48	223	112	119	70	60	25	139	193	20	G 1"	G 1 1/4"	7.2
S50-1300-02L-800	S50-1301-02L-800	G 2" LH	G 2"	48	223	112	119	70	60	25	139	193	20	G 1"	G 1 1/4"	7.2

Metric threads , NPT threads and other threads are available  
适用于公制螺纹、NPT螺纹和其他螺纹

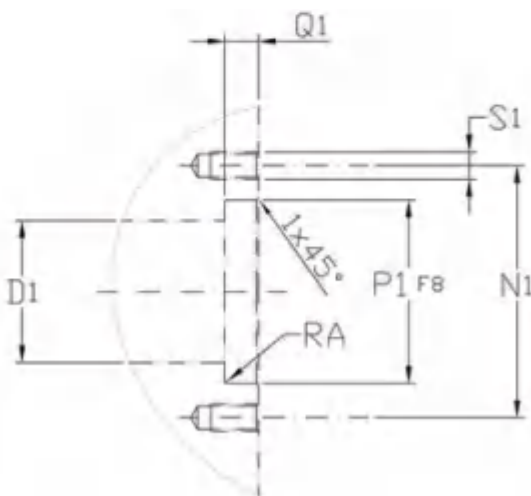
Ordering Code 订货代码		Double passage rotating siphon 双通路旋转虹吸管														
N Seal N型密封	D Seal D型密封	A	B	ØD	E	ØF1	ØF2	ØG	H	I	L	T	U	ØV h9	W	Kg
S10-1300-01R-810	S10-1301-01R-810	G 3/8" RH	G 3/8"	9	129	43	-	25	17	13	73	92	20	5.9	G 1/4"	0.8
S10-1300-02L-810	S10-1301-02L-810	G 3/8" LH	G 3/8"	9	129	43	-	25	17	13	73	92	20	5.9	G 1/4"	0.8
S15-1300-01R-810	S15-1301-01R-810	G 1/2" RH	G 1/2"	13	146	54	-	30	24	13	82	105	22	9.9	G 3/8"	1.4
S015-1300-2L-810	S015-1301-2L-810	G 1/2" LH	G 1/2"	13	146	54	-	30	24	13	82	105	22	9.9	G 3/8"	1.4
S20-1300-01R-810	S20-1301-01R-810	G 3/4" RH	G 3/4"	18	173	64	-	37	30	16	94	123	24	12.9	G 1/2"	2.0
S20-1300-02L-810	S20-1301-02L-810	G 3/4" LH	G 3/4"	18	173	64	-	37	30	16	94	123	24	12.9	G 1/2"	2.0
S25-1300-01R-810	S25-1301-01R-810	G 1" RH	G 1"	23	200	69	-	45	36	20	105	144	25	15.9	G 1/2"	2.8
S25-1300-02L-810	S25-1301-02L-810	G 1" LH	G 1"	23	200	69	-	45	36	20	105	144	25	15.9	G 1/2"	2.8
S32-1300-01R-810	S32-1301-01R-810	G 1 1/4" RH	G 1 1/4"	31	224	85	94	55	46	22	119	159	26	21.8	G 3/2"	4.3
S32-1300-02L-810	S32-1301-02L-810	G 1 1/4" LH	G 1 1/4"	31	224	85	94	55	46	22	119	159	26	21.8	G 3/2"	4.3
S40-1300-01R-810	S40-1301-01R-810	G 1 1/2" RH	G 1 1/2"	36	256	93	109	60	50	24	132	177	30	24.8	G 1"	5.4
S40-1300-02L-810	S40-1301-02L-810	G 1 1/2" LH	G 1 1/2"	36	256	93	109	60	50	24	132	177	30	24.8	G 1"	5.4
S50-1300-01R-810	S50-1301-01R-810	G 2" RH	G 2"	48	281	112	119	70	60	25	139	193	34	30	G 1 1/4"	7.2
S50-1300-02L-810	S50-1301-02L-810	G 2" LH	G 2"	48	281	112	119	70	60	25	139	193	34	30	G 1 1/4"	7.2

Metric threads , NPT threads and other threads are available  
适用于公制螺纹、NPT螺纹和其他螺纹

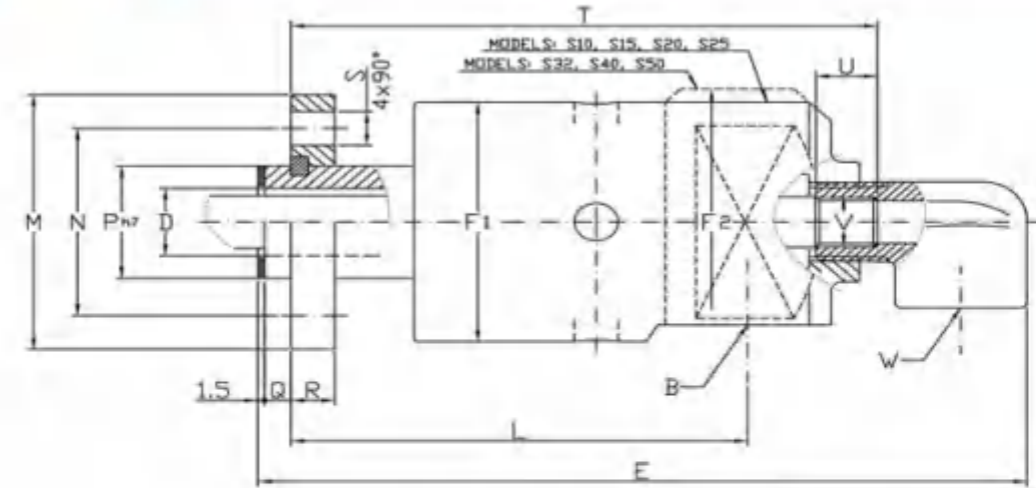




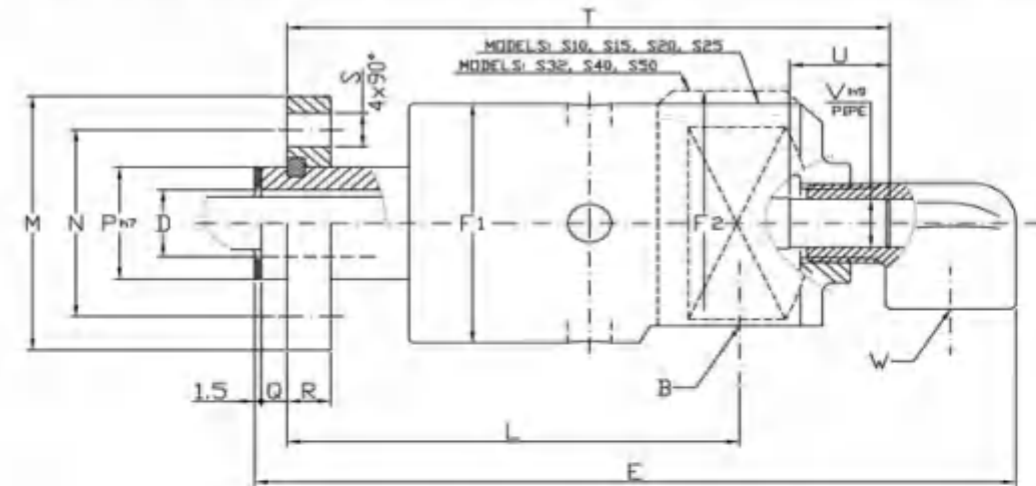
Ordering Code 订货代码		Single Passage Unions 单通路接头													
N Seal N型密封	D Seal D型密封	B	C	ØD	E	ØF1	F2	L	ØM	ØN	ØP h7	Q	R	S	Kg
S10-1300-03F	S10-1301-03F	G 3/8"	G 1/4"	9	109	43	-	82	53	38	18	6	8	9	0.8
S15-1300-03F	S15-1301-03F	G 1/2"	G 3/8"	13	125	54	-	92	60	45	25	6	10	9	1.5
S20-1300-03F	S20-1301-03F	G 3/4"	G 1/2"	18	137	64	-	101	68	50	30	6	10	9	2
S25-1300-03F	S25-1301-03F	G 1"	G 3/4"	23	164	69	-	119	78	60	36	7	12	9	2.7
S32-1300-03F	S32-1301-03F	G 1 1/4"	G 1"	31	182	85	94	133	94	70	44	8	12	11	4.5
S40-1300-03F	S40-1301-03F	G 1 1/2"	G 1 1/4"	36	203	93	109	139	99	78	52	10	14	11	5.6
S50-1300-03F	S50-1301-03F	G 2"	G 1 1/4"	48	224	112	119	154	119	95	65	10	14	11	7.9



Customer Interface 客户接口						
	ØD1	ØN1	ØP1 F8	RA	Q1	S1
S10	9	38	18	0.2	6	M8 4x90°
S15	13	45	25	0.2	6	M8 4x90°
S20	18	50	30	0.2	6	M8 4x90°
S25	23	60	36	0.2	7	M8 4x90°
S32	31	70	44	0.2	8	M10 4x90°
S40	36	78	52	0.2	10	M10 4x90°
S50	48	95	65	0.2	10	M10 4x90°



Ordering Code 订货代码		Double Passage Stationary Siphon 双通路固定虹吸管																
N Seal N型密封	D Seal D型密封	B	ØD	E	ØF1	F2	L	ØM	ØN	ØP h7	Q	R	S	T	U	V	W	Kg
S10-1300-03F-800	S10-1301-03F-800	G 3/8"	9	132	43	-	82	53	38	18	6	8	9	101	10	M6	G 1/4"	0.8
S15-1300-03F-800	S15-1301-03F-800	G 1/2"	13	151	54	-	92	60	45	25	6	10	9	115	12	G 1/8"	G 3/8"	1.5
S20-1300-03F-800	S20-1301-03F-800	G 3/4"	18	172	64	-	101	68	50	30	6	10	9	130	14	G 1/4"	G 1/2"	2
S25-1300-03F-800	S25-1301-03F-800	G 1"	23	202	69	-	119	78	60	36	7	12	9	158	16	G 3/8"	G 1/2"	2.7
S32-1300-03F-800	S32-1301-03F-800	G 1 1/4"	31	225	85	94	133	94	70	44	8	12	11	172	16	G 1/2"	G 3/4"	4.5
S40-1300-03F-800	S40-1301-03F-800	G 1 1/2"	36	251	93	109	139	99	78	52	10	14	11	185	18	G 3/4"	G 1"	5.6
S50-1300-03F-800	S50-1301-03F-800	G 2"	48	282	112	119	154	119	95	65	10	14	11	208	20	G 1"	G 1 1/4"	7.9



Ordering Code 订货代码		Double Passage Rotating Siphon 双通路旋转虹吸管																
N Seal N型密封	D Seal D型密封	B	ØD	E	ØF1	F2	L	ØM	ØN	ØP h7	Q	R	S	T	U	ØV h9	W	Kg
S10-1300-03F-810	S10-1301-03F-810	G 3/8"	9	132	43	-	82	53	38	18	6	8	9	106	20	5.9	G 1/4"	0.9
S15-1300-03F-810	S15-1301-03F-810	G 1/2"	13	151	54	-	92	60	45	25	6	10	9	120	22	9.9	G 3/8"	1.6
S20-1300-03F-810	S20-1301-03F-810	G 3/4"	18	172	64	-	101	68	50	30	6	10	9	136	22	12.9	G 1/2"	2.1
S25-1300-03F-810	S25-1301-03F-810	G 1"	23	202	69	-	119	78	60	36	7	12	9	161	25	15.9	G 1/2"	2.3
S32-1300-03F-810	S32-1301-03F-810	G 1 1/4"	31	225	85	94	133	94	70	44	8	12	11	176	26	21.8	G 3/4"	4.7
S40-1300-03F-810	S40-1301-03F-810	G 1 1/2"	36	251	93	109	139	99	78	52	10	14	11	190	30	25.8	G 1"	5.8
S50-1300-03F-810	S50-1301-03F-810	G 2"	48	282	112	119	154	119	95	65	10	14	11	214	34	30	G 1 1/4"	8.3

Rotoflux large capacity  
罗拓福斯大容量接头

2 1/2" ÷ 5"

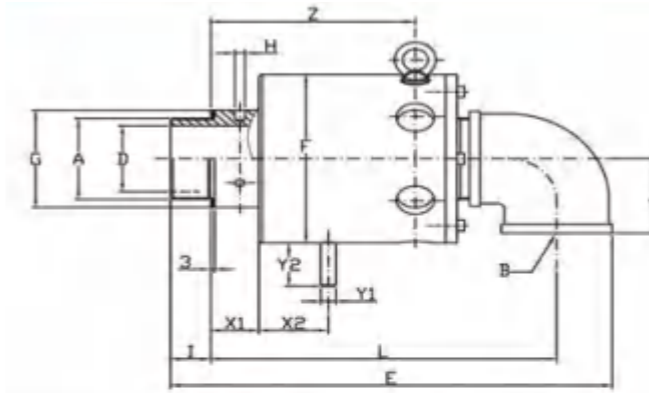
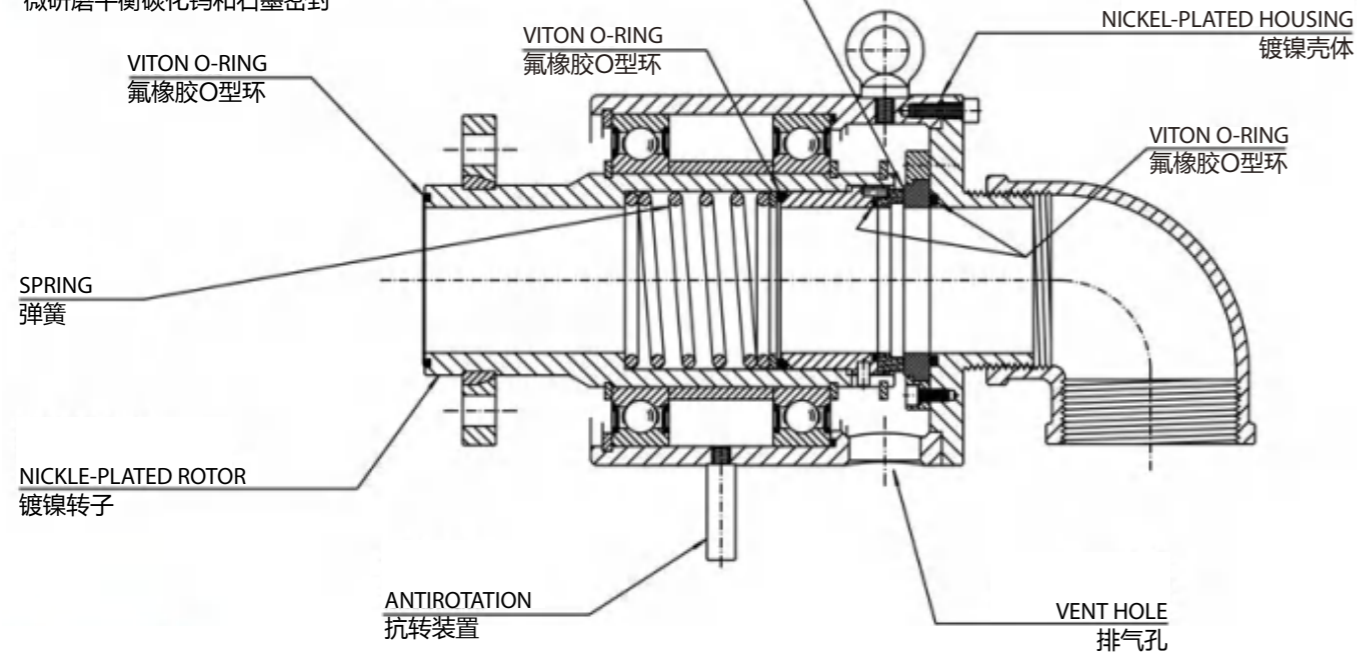


Water 水	10 bar / 145 PSI	95°C / 203°F	750 G/m <sup>3</sup> RPM

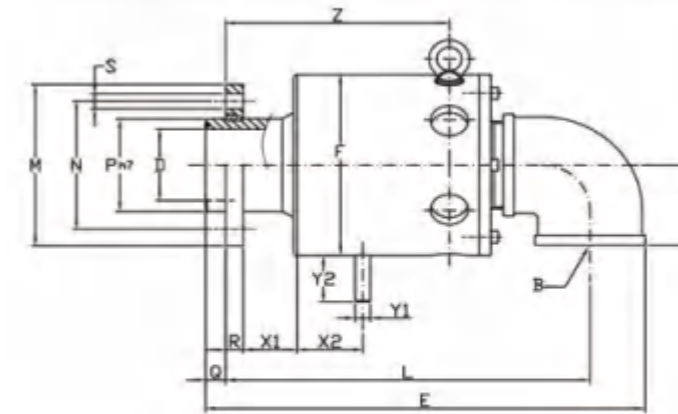
The unions ROTOFLUX S65, S80, S100 and S125, thanks to large free passages, are used when large fluid flows are needed. They are provided with balanced and microlapped seals made with carbide and carbon graphite. The special design of the seals allows to change, when needed, only the seal rings in order to minimize time and costs of maintenance.

得益于较大的自由通路设计，当需要较大的流体流量时，可使用罗拓福斯 S65、S80、S100和S125型号接头。它们配有由碳化钨和石墨制成的平衡的微研磨密封件。密封件的特殊设计允许在需要时仅更换密封圈，以便将维护时间和成本降到最低。

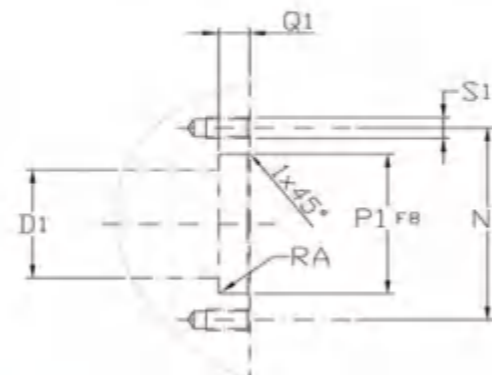
MICROLAPPED AND BALANCED CARBIDE AND GRAPHITE SEALS  
微研磨平衡碳化钨和石墨密封



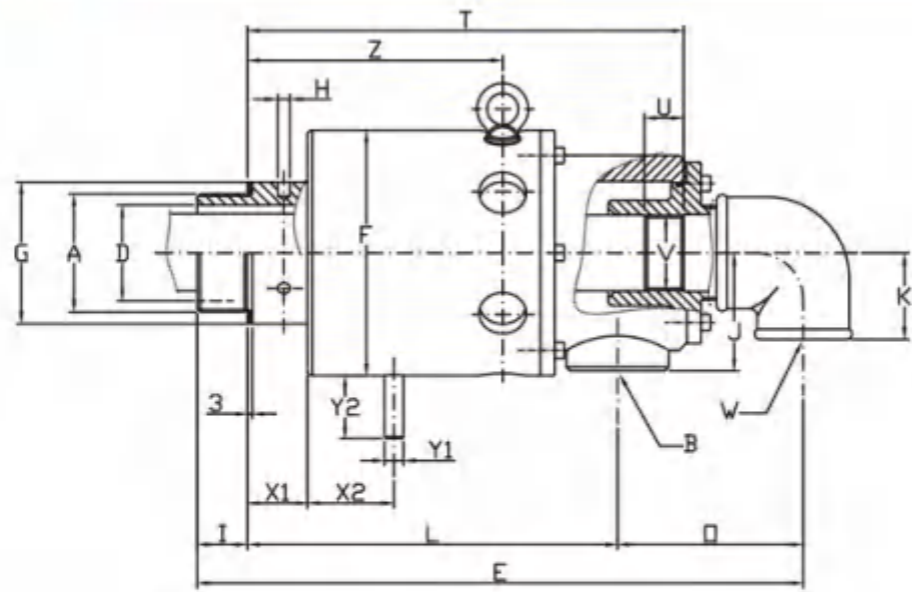
Ordering Code 订货代码	Single Passage Unions 单通路接头															
Water 水	A	B	ØD	E	ØF	ØG	ØH	I	J	L	X1	X2	ØY1	Y2	Z	Kg
S65-1300-01R	G2" 1/2 RH	G2" 1/2	61	350	156	90	8	32	69	274	38	55	12	40	162	17
S65-1300-02L	G2" 1/2 LH						6x60°									
S80-1300-01R	G3" RH	G3"	73	412	188	110	10	37	78	321	45	66	12	40	195	23
S80-1300-02L	G3" LH						6x60°									



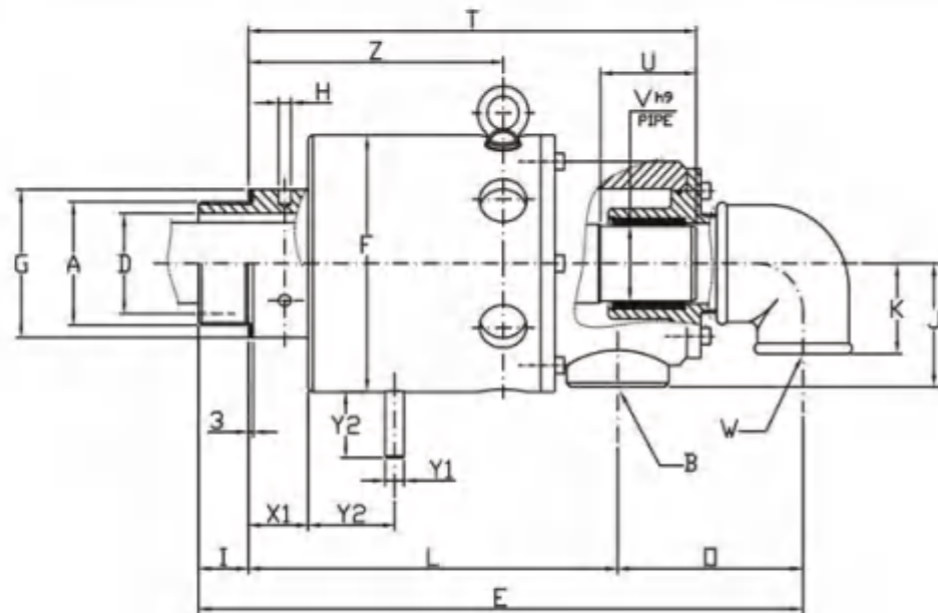
Ordering Code 订货代码	Single Passage Unions 单通路接头																	
Water 水	B	ØD	E	ØF	J	L	ØM	ØN	ØPh7	Q	R	ØS	X1	X2	ØY1	Y2	Z	Kg
S65-1300-03F	G2" 1/2 RH	62	350	156	69	290	139	110	80	16	14	13	40	55	12	40	178	18
S80-1300-03F	G3"	77	412	188	78	337	165	135	100	21	16	13	45	66	12	40	211	24
S100-1300-03F	G4"	98	500	240	94	409	215	170	120	26	20	18	51	82	18	46	261	50
S125-1300-03F	G5"	120	591	282	115	481	245	200	150	31	22	18	53	100	18	41	307	85



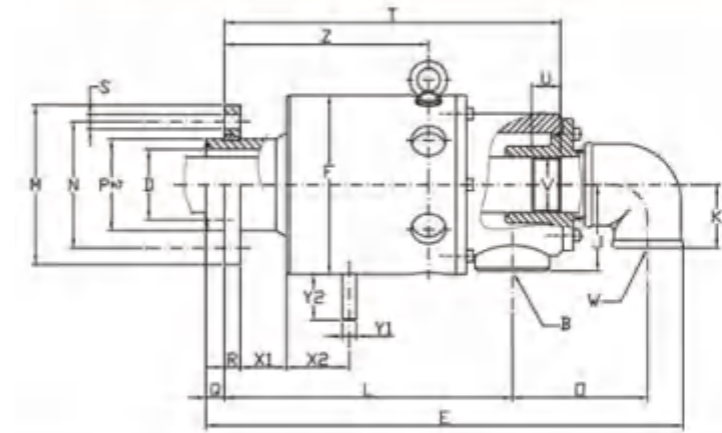
Customer Interface 客户接口						
	ØD1	ØN1	ØP1 F8	RA	Q1	S1
S65	62	110	80	0.4	15	M12 6x60°
S80	77	135	100	0.4	20	M12 8x45°
S100	98	170	120	0.4	25	M16 8x45°
S125	120	200	150	0.4	30	M16 8x45°



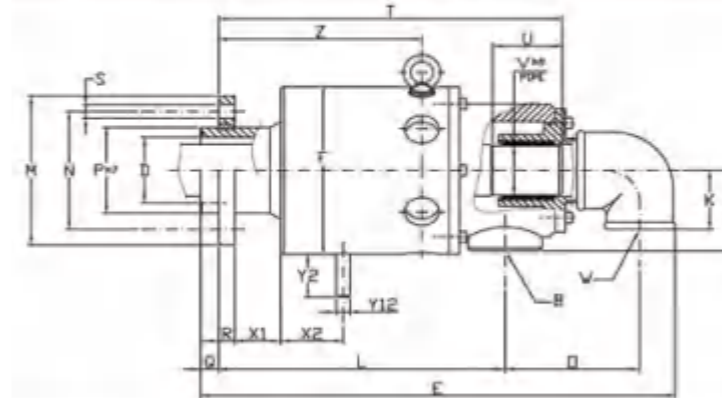
Ordering Code 订货代码		Double Passage Stationary Siphon Unions 双通路固定虹吸管接头																				
Water 水	A	B	ØD	E	ØF	ØG	ØH	I	J	K	L	O	T	U	V	W	X1	X2	ØY1	Y2	Z	Kg
S65-1300-01R-800	G2" 1/2 RH	G2" 1/2	61	416	156	90	8	32	75	55	235	118	278	23	G1" 1/2	G1" 1/2	38	55	12	40	162	20
S65-1300-02L-800	G2" 1/2 LH	G2" 1/2	61	416	156	90	8	32	75	55	235	118	278	23	G1" 1/2	G1" 1/2	38	55	12	40	162	20
S80-1300-01R-800	G3" RH	G3"	73	487	188	110	10	37	90	70	279	135	331	30	G2"	G2"	45	66	12	40	195	28
S80-1300-02L-800	G3" LH	G3"	73	487	188	110	10	37	90	70	279	135	331	30	G2"	G2"	45	66	12	40	195	28



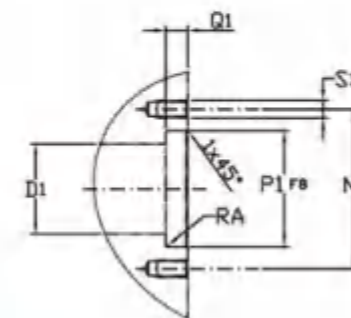
Ordering Code 订货代码		Double Passage Rotating Siphon Unions 双通路旋转虹吸管接头																				
Water 水	A	B	ØD	E	ØF	ØG	ØH	I	J	K	L	O	T	U	V <sub>h9</sub>	W	X1	X2	ØY1	Y2	Z	Kg
S65-1300-01R-810	G2" 1/2 RH	G2" 1/2	61	416	156	90	8	32	75	55	235	118	284	60	45.7	G1" 1/2	38	55	12	40	162	20
S65-1300-02L-810	G2" 1/2 LH	G2" 1/2	61	416	156	90	8	32	75	55	235	118	284	60	45.7	G1" 1/2	38	55	12	40	162	20
S80-1300-01R-810	G3" RH	G3"	73	487	188	110	10	37	90	70	279	135	337	70	57.7	G2"	45	66	12	40	195	28
S80-1300-02L-810	G3" LH	G3"	73	487	188	110	10	37	90	70	279	135	337	70	57.7	G2"	45	66	12	40	195	28



Ordering Code 订货代码		Double Passage Stationary Siphon Unions 双通路固定虹吸管接头																						
Water 水	B	ØD	E	ØF	J	K	L	ØM	ØN	O	ØP <sub>h7</sub>	Q	R	ØS	T	U	V	W	X1	X2	ØY1	Y2	Z	Kg
S65-1300-03F-800	G1" 1/2	62	416	156	75	55	251	139	110	118	80	16	14	13 6x60°	294	23	G1" 1/2	G1" 1/2	40	55	12	40	178	21
S80-1300-03F-800	G2"	77	487	188	90	70	295	165	135	135	100	21	16	13 8x45°	347	30	G2"	G2"	45	66	12	40	211	34
S100-1300-03F-800	G2" 1/2	98	589	240	110	78	361	215	170	155	120	26	20	18 8x45°	421	35	G2" 1/2	G2" 1/2	51	82	18	46	261	60
S125-1300-03F-800	G3"	120	718	282	120	78	423	245	200	210	150	31	22	18 8x45°	508	45	G3"	G3"	53	100	18	41	307	100



Ordering Code 订货代码		Double Passage Rotating Siphon Unions 双通路旋转虹吸管接头																						
Water 水	B	ØD	E	ØF	J	K	L	ØM	ØN	O	ØP <sub>h7</sub>	Q	R	ØS	T	U	ØV <sub>h9</sub>	W	X1	X2	ØY1	Y2	Z	Kg
S65-1300-03F-810	G1" 1/2	62	416	156	75	55	251	139	110	118	80	16	14	13 6x60°	300	60	45.7	G1" 1/2	40	55	12	40	178	21
S80-1300-03F-810	G2"	77	487	188	90	70	295	165	135	135	100	21	16	13 8x45°	353	70	57.7	G2"	45	66	12	40	211	34
S100-1300-03F-810	G2" 1/2	98	589	240	110	78	361	215	170	155	120	26	20	18 8x45°	430	80	74.6	G2" 1/2	51	82	18	46	261	60
S125-1300-03F-810	G3"	120	718	282	120	78	423	245	200	210	150	31	22	18 8x45°	518	100	87.6	G3"	53	100	18	41	307	100



Customer Interface 客户接口						
	ØD1	ØN1	ØP1 F8	RA	Q1	S1
S65	62	110	80	0.4	15	M12 6x60°
S80	77	135	100	0.4	20	M12 8x45°
S100	98	170	120	0.4	25	M16 8x45°
S125	120	200	150	0.4	30	M16 8x45°



Rotoflux for printing machines  
印刷机用罗拓福斯接头

3/8" ÷ 1/2"



Water 水	50 bar / 725 PSI	95°C / 203°F	3.500/5.000/7.000

These unions are available with two different balanced and microlapped sealing assemblies :

- N Seal (Standard Sealing) with carbon graphite to carbide seals for application with filtered water.

Fluid pressure over 8 bar is allowed only when the fluid is cool water at max temperature 125°F (50°C).

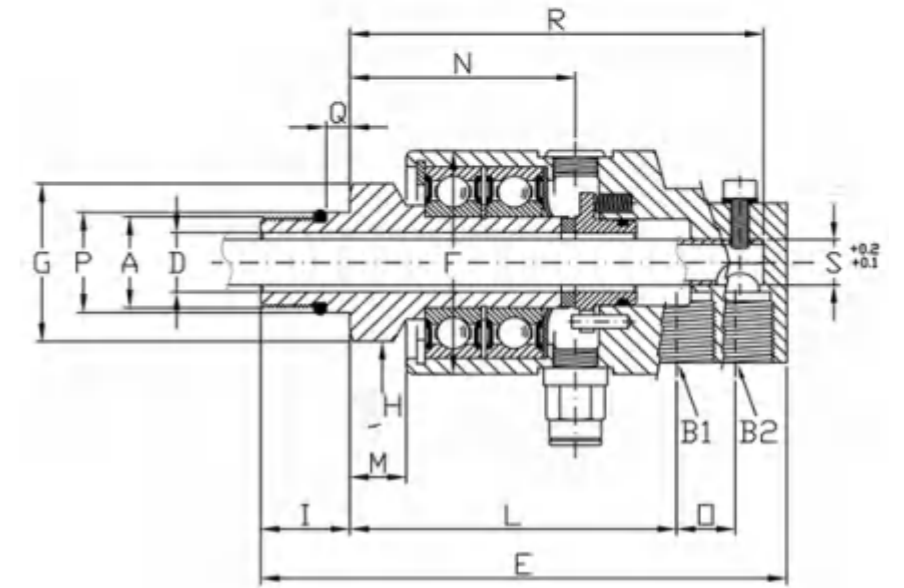
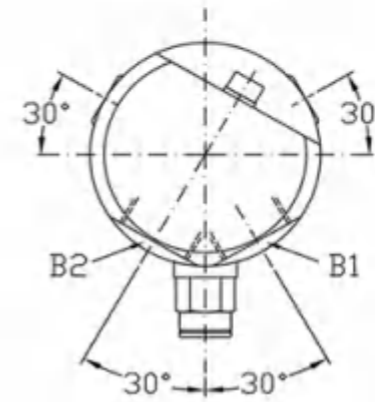
Do not use the unions at max application limits without consulting ROTOFLUX.

这些接头适用于两种不同平衡的微研磨密封组件：

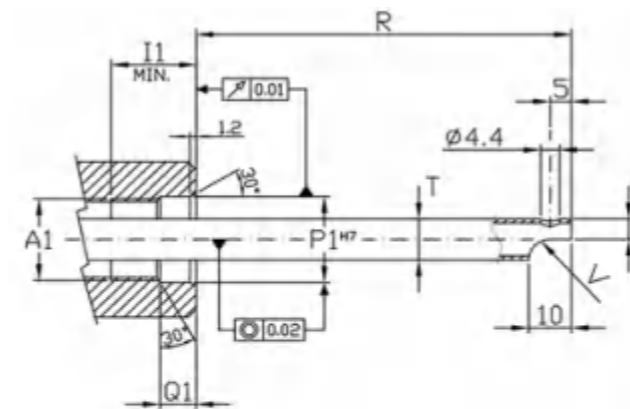
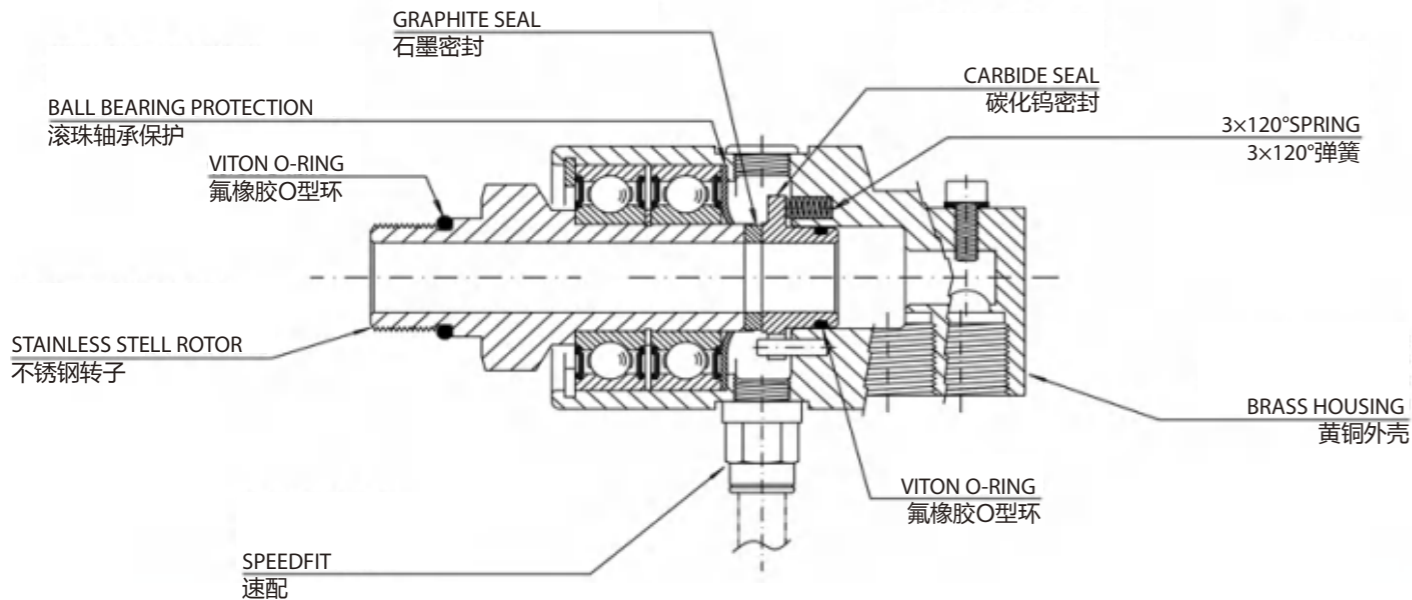
- N型密封（标准密封），石墨至碳化钨密封，用于过滤水。

只有当流体为最高温度不超过125° F（50° C）的冷水时，才允许流体压力超过8bar。

在未咨询ROTOFLUX的情况下，请勿在最大应用限制下使用接头。

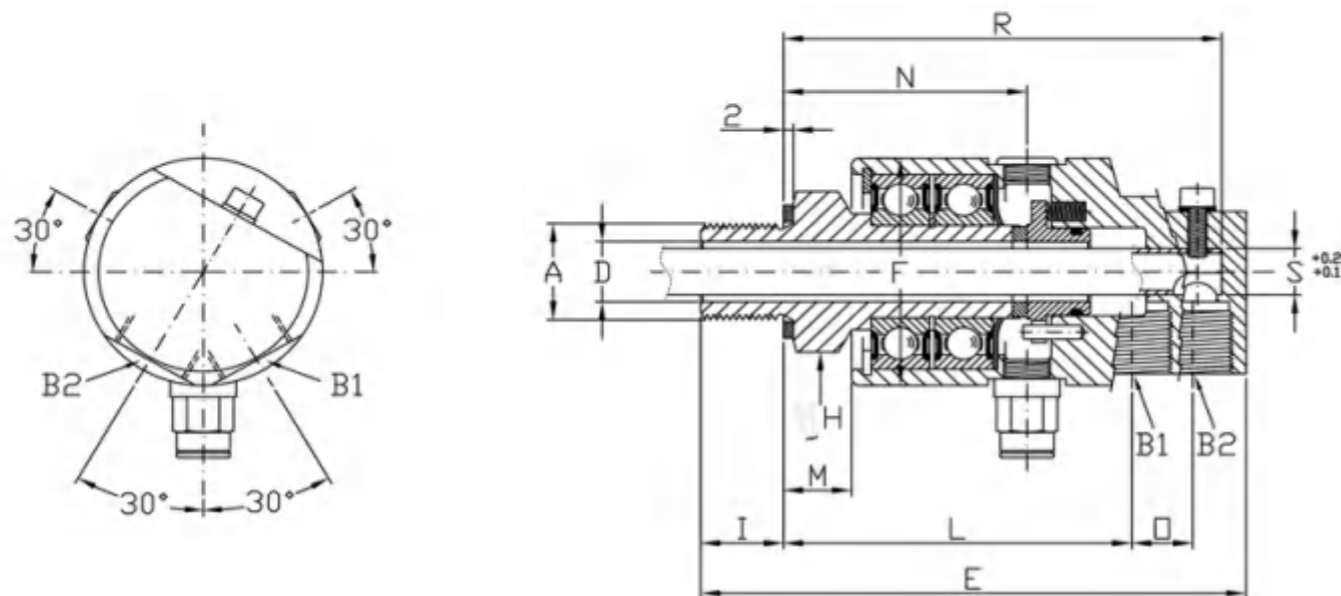


Ordering Code 订货代码	Double Passage Stationary Siphon Unions 双通路固定虹吸接头																
Water 水	A	B1	ØD	E	ØF	G	H	I	L	M	N	O	ØP	Q	R	ØS	Kg
S10-2382-33R	M16 × 1.5 RH	G3/8"	10	116	49	24	19	16	76.5	19	55	12.5	18	5	95	8	1
S10-2382-34L	M16 × 1.5 LH	G3/8"	10	116	49	24	19	16	76.5	19	55	12.5	18	5	95	8	1
S15-2382-33R	M20 × 1.5 RH	G3/8"	13	112	49	-	SW 30	19	69.5	12	48	12.5	21	5	88	8	1
S15-2382-34L	M20 × 1.5 LH	G3/8"	13	112	49	-	SW 30	19	69.5	12	48	12.5	21	5	88	8	1
S15-2386-33R	M20 × 1.5 RH	G3/8"	13	112	49	-	SW 30	19	69.5	12	48	12.5	21	5	88	8	1
S15-2386-34L	M20 × 1.5 LH	G3/8"	13	112	49	-	SW 30	19	69.5	12	48	12.5	21	5	88	8	1



		Customer Interface 客户接口							
	A1	B2	I1	ØP1 H7	Q1	R	ØT	U	V
S10-2382-33R	M16 × 1.5 RH	G3/8"	18	18	8.5	95	8×1	4	R.4
S10-2382-34L	M16 × 1.5 LH	G3/8"	18	18	8.5	95	8×1	4	R.4
S15-2382-33R	M20 × 1.5 RH	G3/8"	21	21	8.5	95	8×1	4	R.5
S15-2382-34L	M20 × 1.5 LH	G3/8"	21	21	8.5	95	8×1	4	R.5
S15-2386-33R	M20 × 1.5 RH	G3/8"	21	21	8.5	95	8×1	5	R.5
S15-2386-34L	M20 × 1.5 LH	G3/8"	21	21	8.5	95	8×1	5	R.5





Ordering Code 订货代码	Double Passage Stationary Siphon Unions 双通路固定虹吸接头													
Water 水	A	B1	ØD	E	ØF	H	I	L	M	N	O	R	ØS	Kg
S15-2382-31R	G 1/2" RH	G 3/8"	13	112	49	SW 30	17	71.5	14	50	12.5	90	8	1
S15-2382-32L	G 1/2" LH													
S15-2386-31R	G 1/2" RH	G 3/8"	13	112	49	SW 30	17	71.5	14	50	12.5	80	10	1
S15-2386-32L	G 1/2" LH													

Rotoflux for printing machines  
印刷机用罗托福斯接头

1/2" ÷ 3/4"



		°C °F	G/m <sup>3</sup> RPM
Water 水	50 bar / 725 PSI	95°C / 203°F	3.500/5.000/7.000

These unions are available with two different balanced and microlapped sealing assemblies :

- N Seal (Standard Sealing) with carbon graphite to carbide seals for application with filtered water.

Fluid pressure over 8 bar is allowed only when the fluid is cool water at max temperature 125°F (50°C).

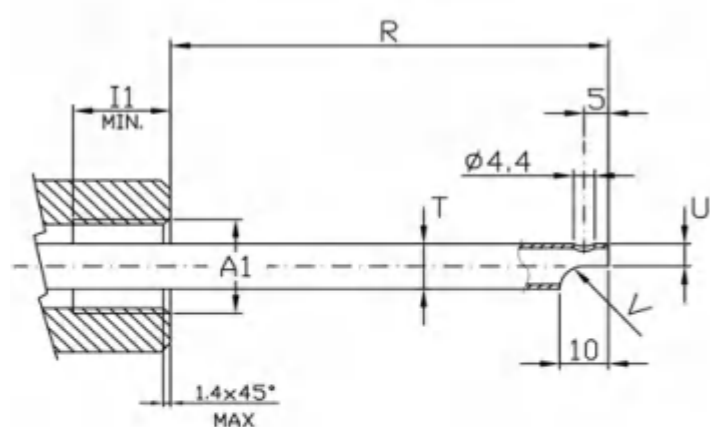
Do not use the unions at max application limits without consulting ROTOFLUX.

这些接头适用于两种不同平衡的微研磨密封组件：

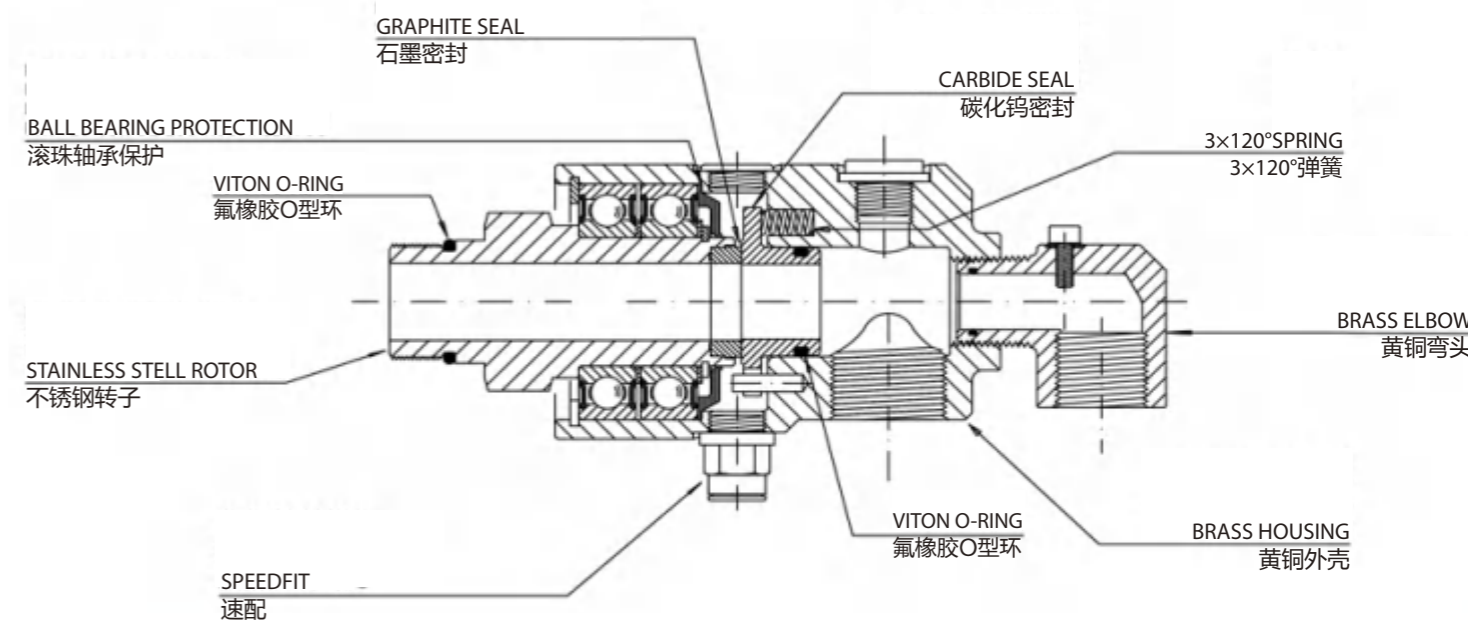
- N型密封（标准密封），石墨至碳化钨密封，用于过滤水。

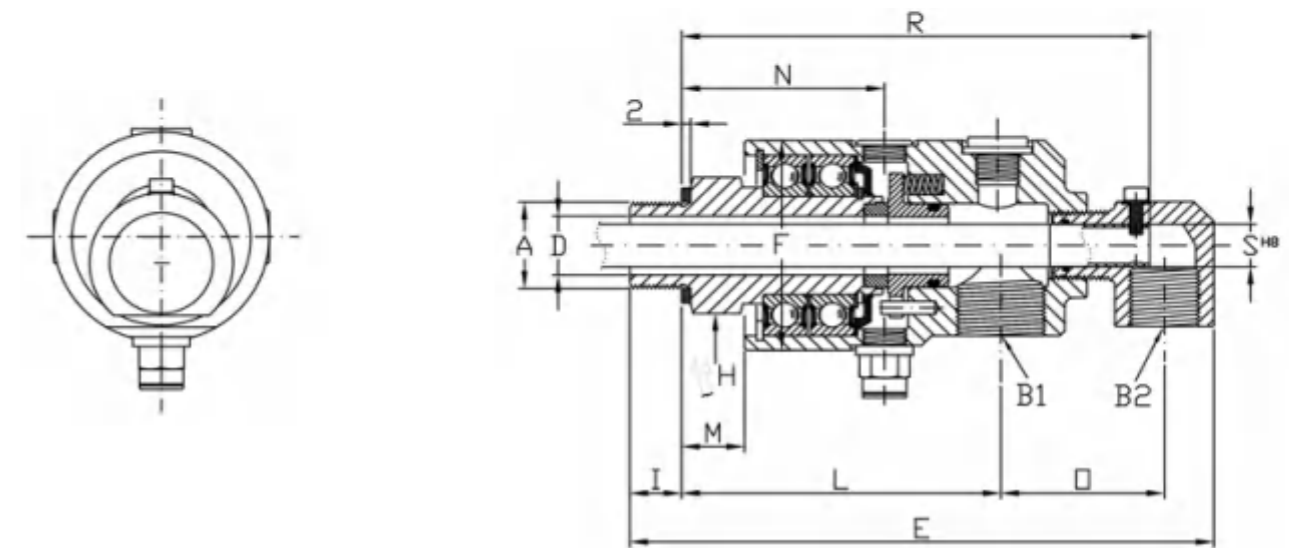
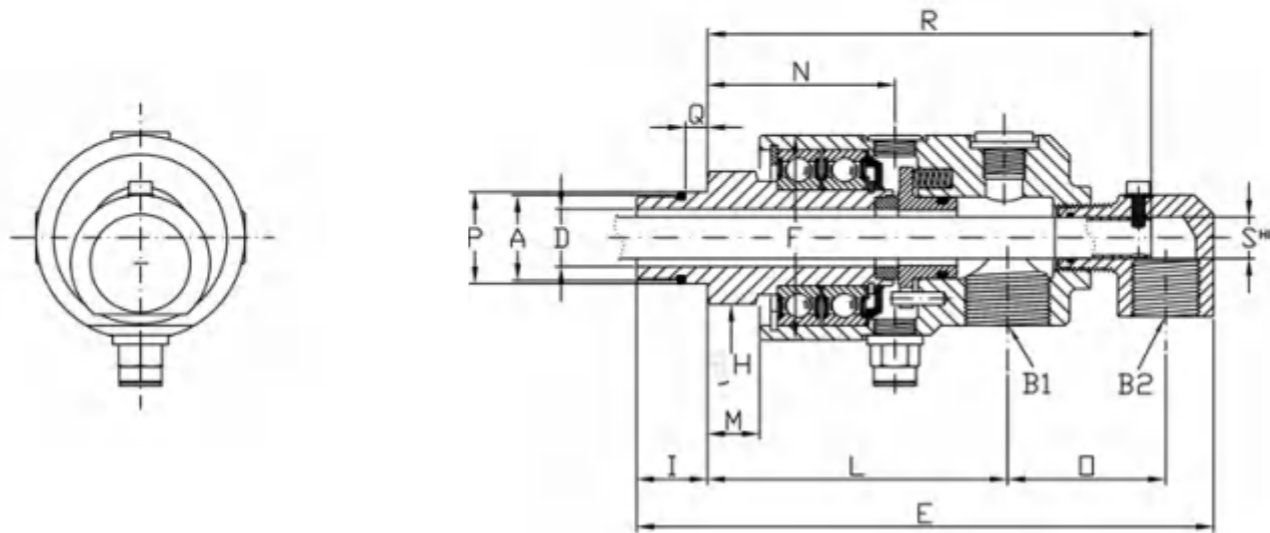
只有当流体为最高温度不超过125° F（50° C）的冷水时，才允许流体压力超过8巴。

在未咨询ROTOFLUX的情况下，请勿在最大应用限制下使用接头。



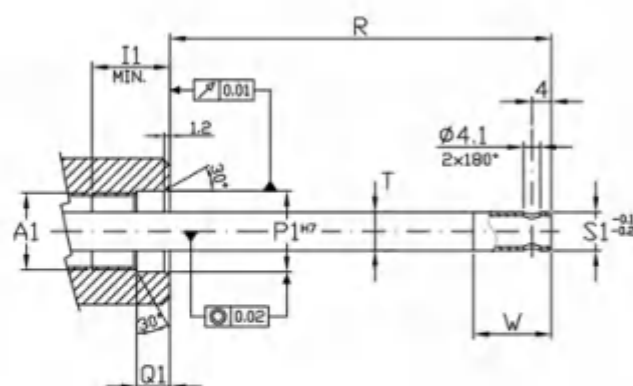
	Customer Interface 客户接口						
	A1	I1	Q1	R	ØT	U	V
S15-2382-31R	G1/2" RH	20	8.5	90	8x1	4	R.4
S15-2382-32L	G1/2" LH						
S15-2386-31R	G1/2" RH	20	8.5	90	8x1	5	R.5
S15-2386-32L	G1/2" LH						



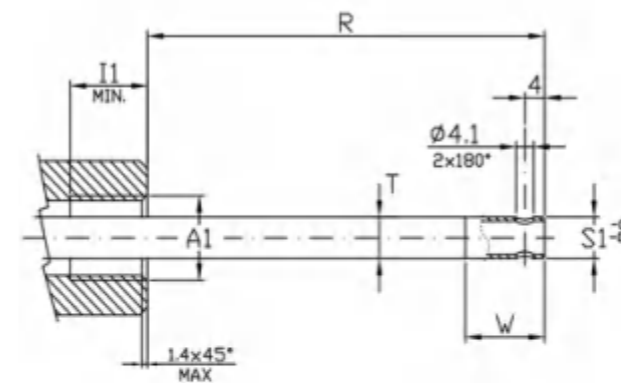


Ordering Code 订货代码	Double Passage Stationary Siphon Unions 双通路固定虹吸接头																
Water 水	A	B1	B2	D	E	F	H	I	L	M	N	O	P	Q	R	S <sub>H8</sub>	Kg
S15-1292-25R-840	M20×1.5 RH	G 1/2"	G 3/8"	13	149	55	SW 30	19	79.5	13	51.5	39.5	21	5	116	10	1.5
S15-1292-26R-840	M20×1.5 LH																
S15-1292-04R-840	M20×1.5 RH	G 1/2"	G 3/8"	13	149	55	SW 30	19	79.5	13	51.5	39.5	22	5	116	10	1.5
S15-1292-05L-840	M20×1.5 LH																
S20-1292-25R-840	M27×1.5 RH	G 3/4"	G 1/2"	18	174	64	SW 36	21	92	16	57.5	46	28	6	133	13	2.1
S20-1292-26L-840	M27×1.5 LH																

Ordering Code 订货代码	Double Passage Stationary Siphon Unions 双通路固定虹吸接头															
Water 水	A=A1	B1	B2	∅D	E	∅F	H	I	L	M	N	O	R	∅S <sub>H8</sub>	Kg	
S15-1292-23R-840	G 1/2" RH	G 1/2"	G 3/8"	13	145	55	SW 30	13	81.5	15	53.5	39.5	118	10	1.5	
S15-1292-24L-840	G 1/2" LH															
S20-1292-23R-840	G 3/4" RH	G 3/4"	G 1/2"	18	171	64	SW 36	16	94	18	59.5	46	135	13	2.1	
S20-1292-24L-840	G 3/4" LH															



Customer Interface 客户接口								
	A1	I1	∅P1 <sub>H7</sub>	Q1	R	S1	∅T	W
S15-1292-25R-840	M16×1.5 RH	20	21	8.5	116	10	10×1	26
S15-1292-26L-840	M16×1.5 LH							
S15-1292-04R-840	M20×1.5 RH	20	22	8.5	116	10	10×1	26
S15-1292-05L-840	M20×1.5 LH							
S20-1292-25R-840	M20×1.5 RH	20	28	8.5	133	13	13×1	28
S20-1292-26L-840	M20×1.5 LH							



Customer Interface 客户接口						
	A1	I1	R	S1	∅T	W
S15-1292-23R-840	G 1/2" RH	20	118	10	10×1	26
S15-1292-24L-840	G 1/2" LH					
S20-1292-23R-840	G 3/4" RH	20	135	13	13×1	28
S20-1292-24L-840	G 3/4" LH					

**Rotoflux Simple**  
罗拓福斯简易型

1 1/4" ÷ 2"



Water 水	1/4" ÷ 1 1/2" ▷ 50 bar / 725 PSI 2" ▷ 40 bar / 580 PSI	95°C / 203°F	1 1/4" ÷ 1 1/2" ▷ 2,500 2" ▷ 750

These unions are available with two different balanced and microlapped sealing assemblies :

- N Seal (Standard Sealing) with carbon graphite to carbide seals for application with filtered water.
- D Seal (Heavy duty sealing) with carbide to carbide seals for poor filtrated.

Fluid pressure over 8 bar is allowed only when the fluid is cool water at max temperature 125°F (50°C).

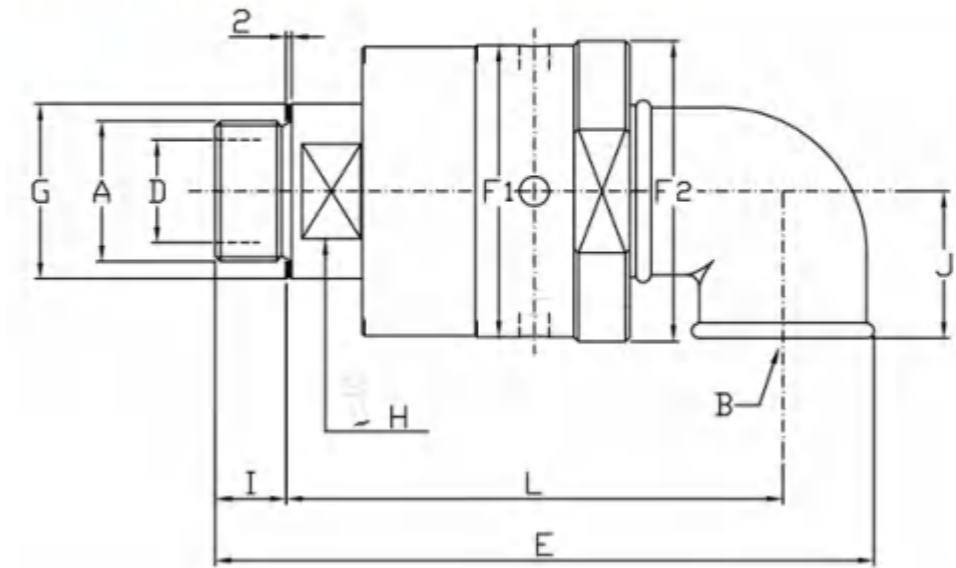
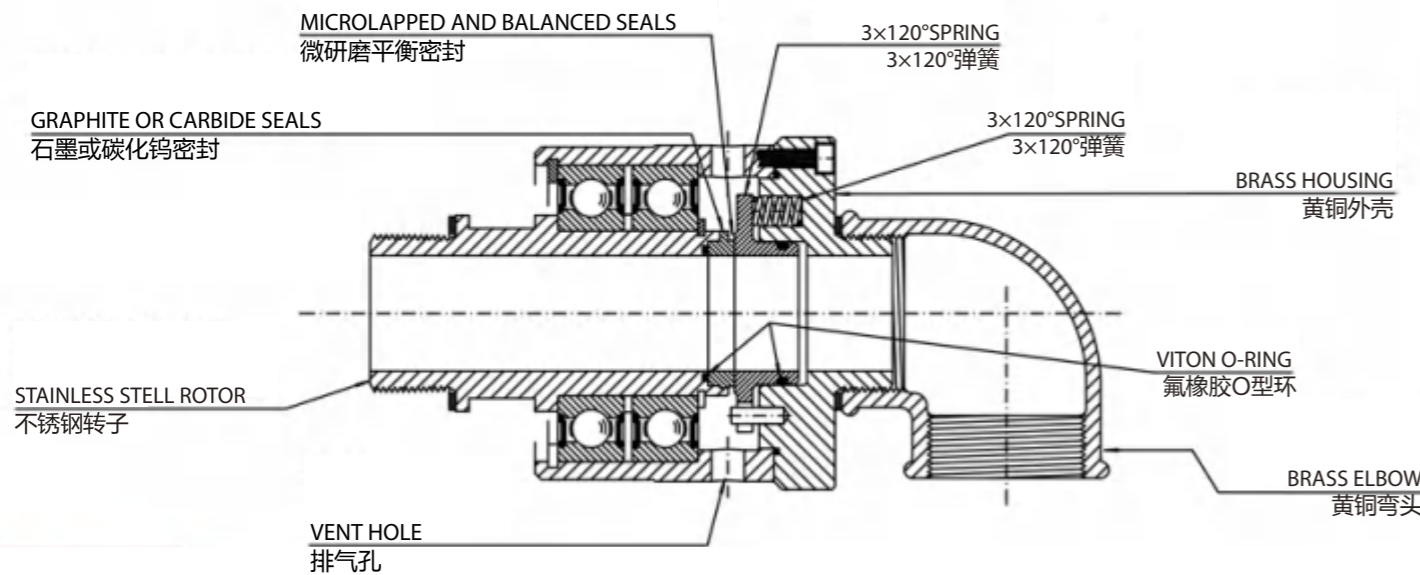
Do not use the unions at max application limits without consulting ROTOFLUX.

这些接头适用于两种不同平衡微研磨密封组件:

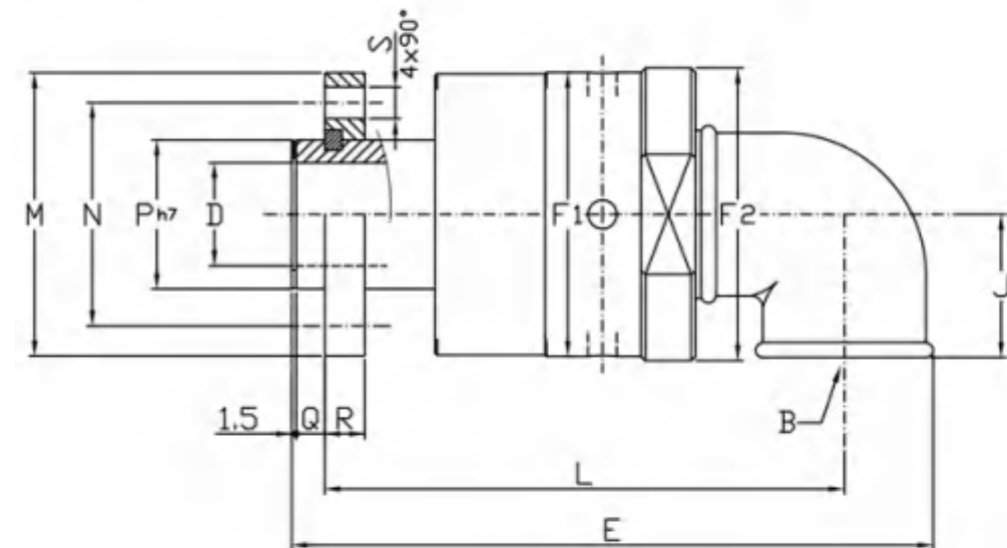
- N型密封 (标准密封), 石墨碳化钨密封, 用于过滤水。
- D型密封 (重型密封), 碳化钨密封, 用于过滤性能差的水。

只有当流体为最高温度不超过125° F (50° C) 的冷水时, 才允许流体压力超过8bar。

在未咨询ROTOFLUX的情况下, 请勿在最大应用限制下使用接头。

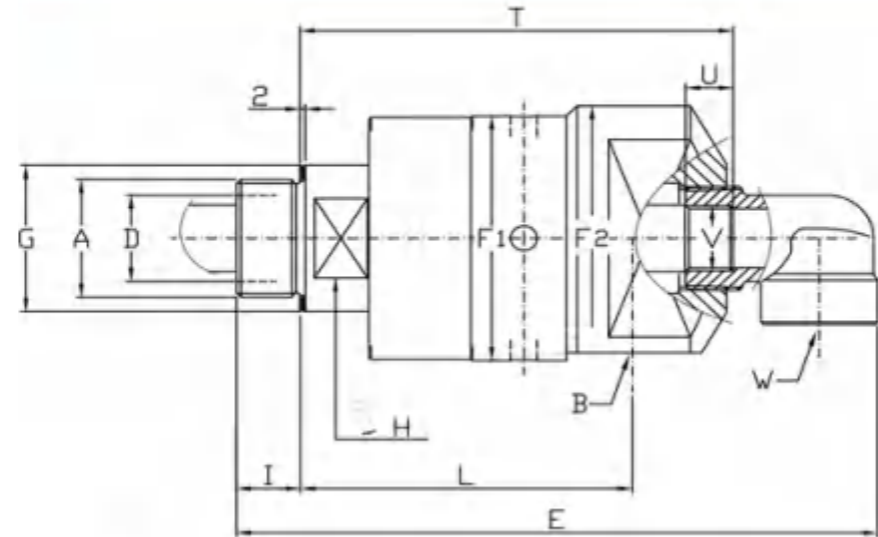


Ordering Code 订货代码		Single Passage Unions 单通路接头											
N Seal N型密封	D Seal D型密封	A	B	ØD	E	ØF1	ØF2	ØG	H	I	J	L	Kg
H32-1300-01R	H32-1301-01R	G 1 1/4" RH	G 1 1/4"	31	202	85	88	55	46	22	45	152	2.7
H32-1300-02L	H32-1301-02L	G 1 1/4" LH	G 1 1/4"	31	202	85	88	55	46	22	45	152	2.7
H40-1300-01R	H40-1301-01R	G 1 1/2" RH	G 1 1/2"	36	224	93	98	60	50	24	50	169	4.2
H40-1300-02L	H40-1301-02L	G 1 1/2" LH	G 1 1/2"	36	224	93	98	60	50	24	50	169	4.2
H50-1300-01R	H50-1301-01R	G2" RH	G2"	48	237	112	114	70	60	25	55	175	7
H50-1300-02L	H50-1301-02L	G2" LH	G2"	48	237	112	114	70	60	25	55	175	7

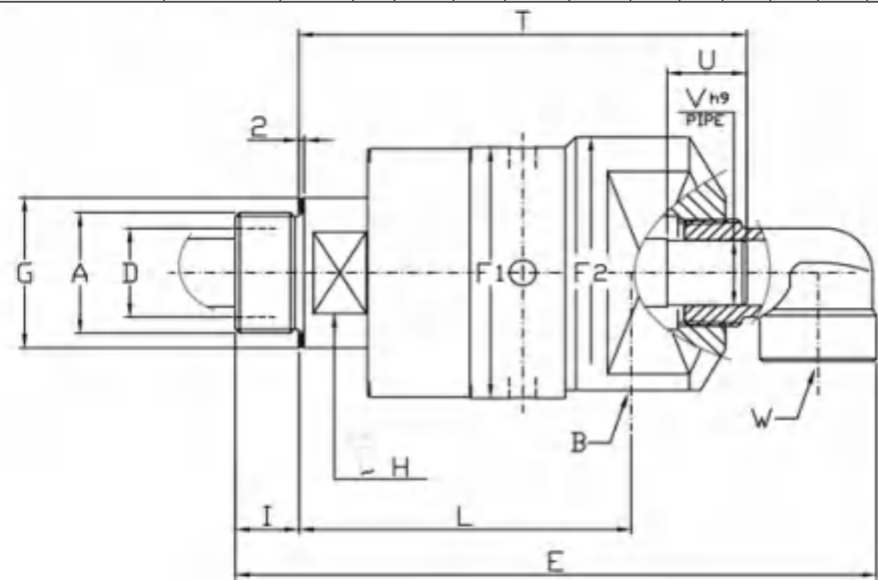


Ordering Code 订货代码		Single Passage Unions 单通路接头													
N Seal N型密封	D Seal D型密封	B	ØD	E	ØF1	ØF2	J	L	ØM	ØN	ØP <sub>h7</sub>	Q	R	S	Kg
H32-1300-03F	H32-1301-03F	G 1 1/4"	31	204	85	88	45	166	94	70	44	8	12	11	3.4
H40-1300-03F	H40-1301-03F	G 1 1/2"	36	219	93	98	50	125	99	78	52	10	14	11	4.7
H50-1300-03F	H50-1301-03F	G2"	48	239	112	114	55	190	119	95	65	10	14	11	7.7

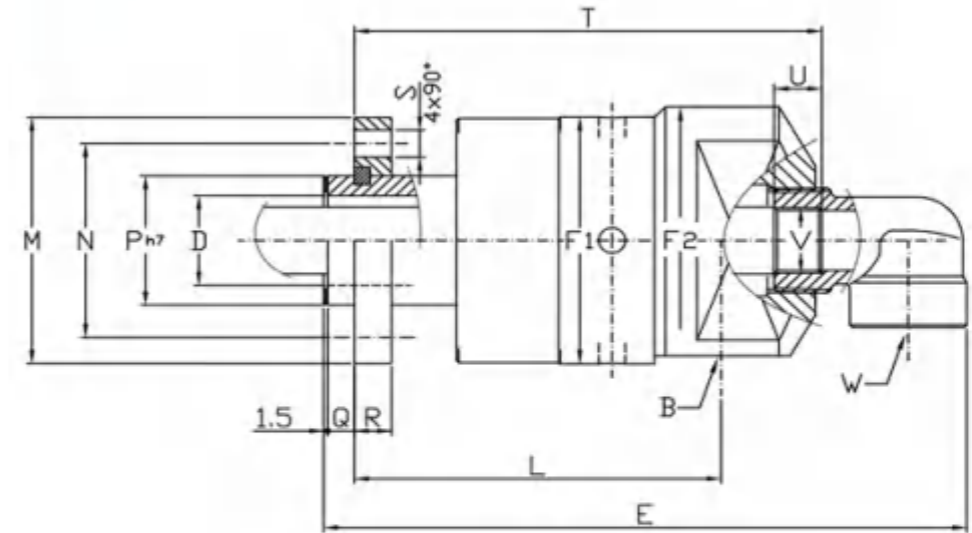




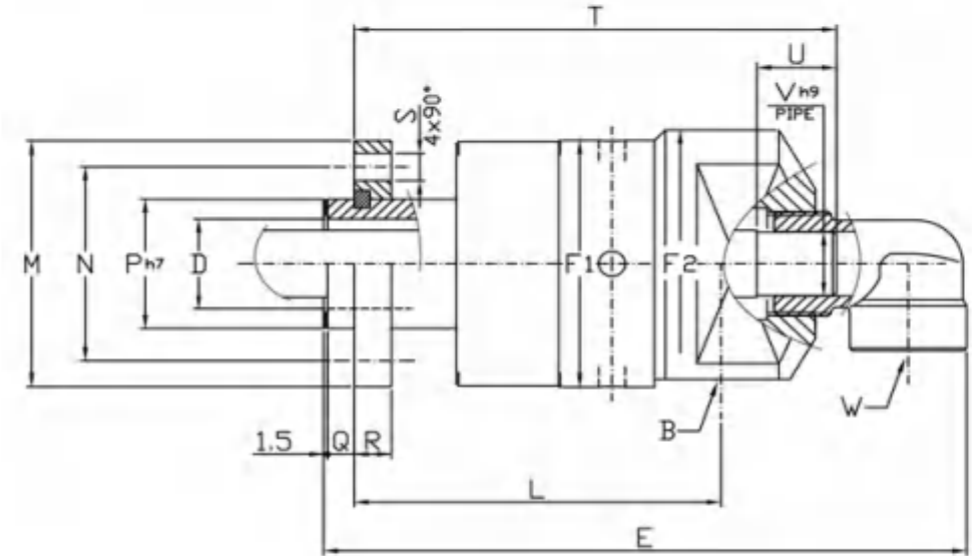
Ordering Code 订货代码		Double Passage Stationary Siphon Unions 双通路固定虹吸接头														
N Seal N型密封	D Seal D型密封	A	B	ØD	E	ØF1	ØF2	ØG	H	I	L	T	U	V	W	Kg
H32-1300-01R-800	H32-1301-01R-800	G 1 1/4" RH	G 3/4"	31	211	85	88	55	46	22	112	145	16	G 1/2"	G 3/4"	2.7
H32-1300-02L-800	H32-1301-02L-800	G 1 1/4" LH	G 3/4"	31	211	85	88	55	46	22	112	145	16	G 1/2"	G 3/4"	2.7
H40-1300-01R-800	H40-1301-01R-800	G 1 1/2" RH	G 1"	36	243	93	98	60	50	24	126	164	18	G 3/4"	G 1"	4.2
H40-1300-02L-800	H40-1301-02L-800	G 1 1/2" LH	G 1"	36	243	93	98	60	50	24	126	164	18	G 3/4"	G 1"	4.2
H50-1300-01R-800	H50-1301-01R-800	G 2" RH	G 1 1/4"	48	266	112	114	70	60	25	131	179	20	G 1"	G 1 1/4"	7
H50-1300-02L-800	H50-1301-02L-800	G 2" LH	G 1 1/4"	48	266	112	114	70	60	25	131	179	20	G 1"	G 1 1/4"	7



Ordering Code 订货代码		Double Passage Rotating Siphon Unions 双通路旋转虹吸接头														
N Seal N型密封	D Seal D型密封	A	B	ØD	E	ØF1	ØF2	ØG	H	I	L	T	U	ØV h9	W	Kg
H32-1300-01R-810	H32-1301-01R-810	G 1 1/4" RH	G 3/4"	31	211	85	88	55	46	22	112	149	26	G 1/2"	G 3/4"	2.7
H32-1300-02L-810	H32-1301-02L-810	G 1 1/4" LH	G 3/4"	31	211	85	88	55	46	22	112	149	26	G 1/2"	G 3/4"	2.7
H40-1300-01R-810	H40-1301-01R-810	G 1 1/2" RH	G 1"	36	243	93	98	60	50	24	126	170	30	G 3/4"	G 1"	4.2
H40-1300-02L-810	H40-1301-02L-810	G 1 1/2" LH	G 1"	36	243	93	98	60	50	24	126	170	30	G 3/4"	G 1"	4.2
H50-1300-01R-810	H50-1301-01R-810	G 2" RH	G 1 1/4"	48	266	112	114	70	60	25	131	184	34	G 1"	G 1 1/4"	7
H50-1300-02L-810	H50-1301-02L-810	G 2" LH	G 1 1/4"	48	266	112	114	70	60	25	131	184	34	G 1"	G 1 1/4"	7



Ordering Code 订货代码		Double Passage Stationary Siphon Unions 双通路固定虹吸接头														
N Seal N型密封	D Seal D型密封	B	ØD	E	ØF1	ØF2	ØM	ØN	Q	R	S	T	U	V	W	Kg
H32-1300-03F-800	H32-1301-03F-800	G 3/4"	31	213	85	88	94	70	8	12	11	159	16	G 1/2"	G 3/4"	3.9
H40-1300-03F-800	H40-1301-03F-800	G 1"	36	238	93	98	99	78	10	14	11	172	18	G 3/4"	G 1"	5.1
H50-1300-03F-800	H50-1301-03F-800	G 1 3/4"	48	267	112	114	119	95	10	14	11	194	20	G 1"	G 1 1/4"	8



Ordering Code 订货代码		Double Passage Rotating Siphon Unions 双通路旋转虹吸接头															
N Seal N型密封	D Seal D型密封	B	ØD	E	ØF1	ØF2	L	ØM	ØN	Q	R	S	T	U	ØV h9	W	Kg
H32-1300-03F-810	H32-1301-03F-810	G 3/4"	31	213	85	88	126	94	70	8	12	11	163	26	21.8	G 3/4"	3.9
H40-1300-03F-810	H40-1301-03F-810	G 1"	36	238	93	98	133	99	78	10	14	11	177	30	25.8	G 1"	5.1
H50-1300-03F-810	H50-1301-03F-810	G 1 3/4"	48	267	112	114	146	119	95	10	14	11	199	34	30	G 1 1/4"	8



Rotoflux Low Torque  
罗拓福斯低扭矩型

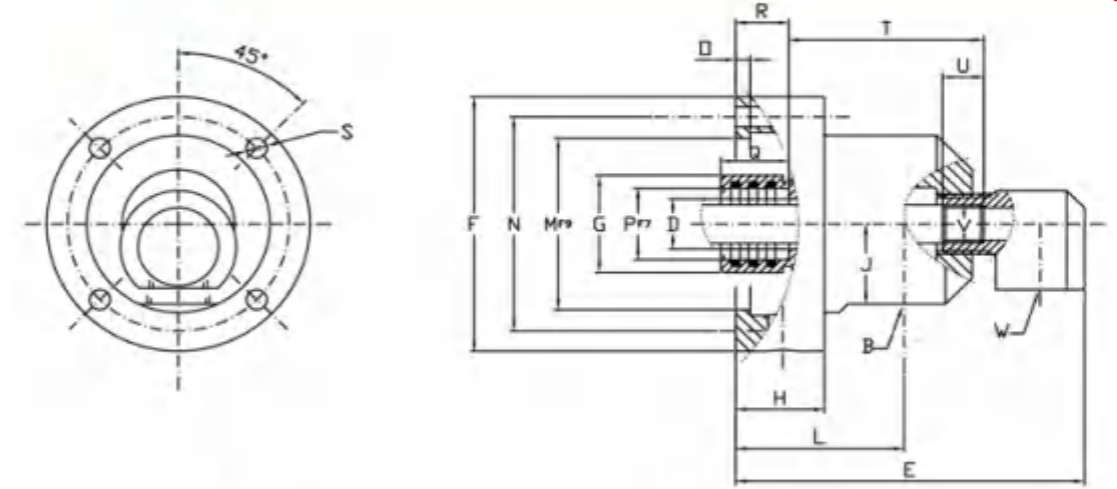
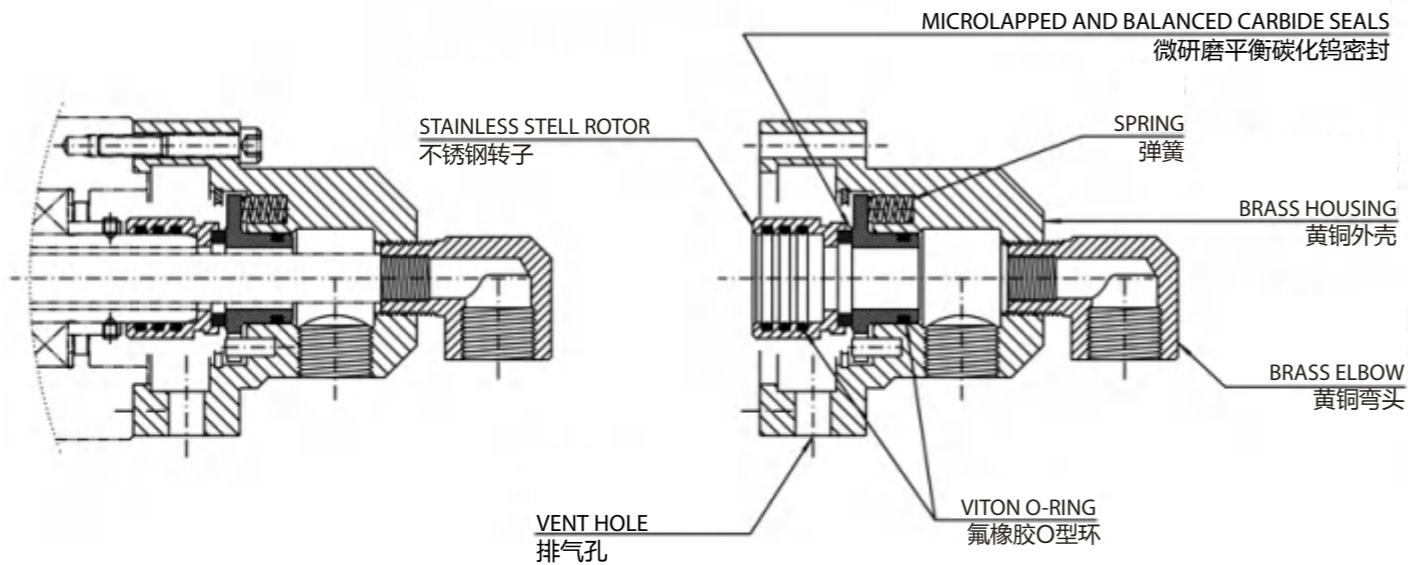
1/2" ÷ 3/4"



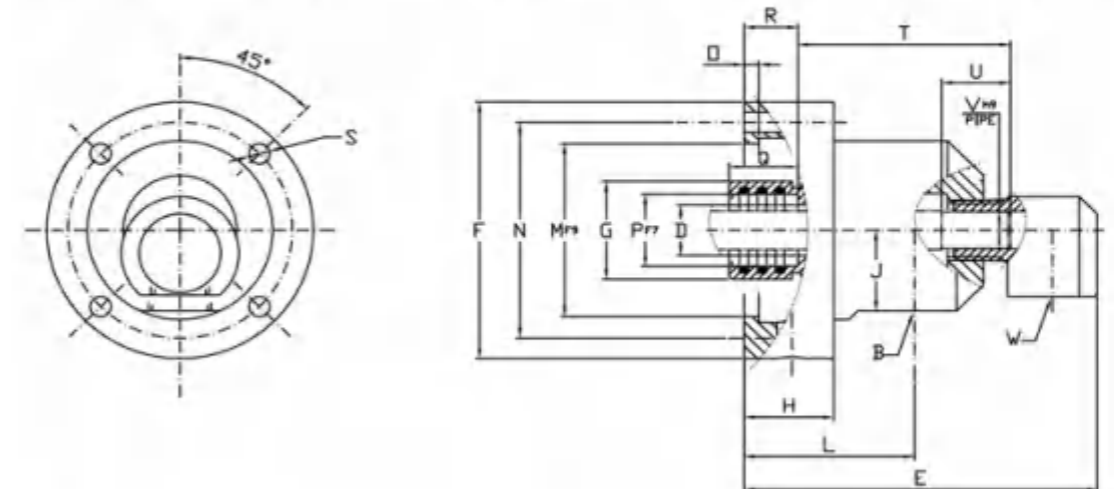
Water 水	16 bar / 725 PSI	95°C / 203°F	5,000 G/m <sup>3</sup> RPM

These unions are available with balance and microlapped carbide to carbide seals. Fluid pressure over 8 bar is allowed only when the fluid is cool water at max temperature 125°F (50°C). Do not use the unions at max application limits without consulting ROTOFLUX.

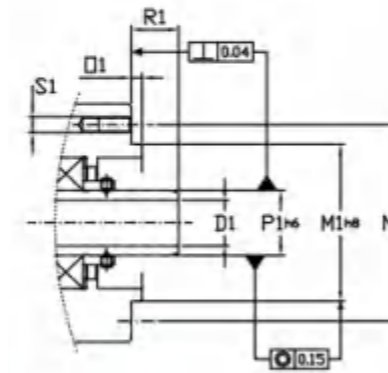
这些接头可用于平衡的微研磨碳化钨密封。只有当流体为最高温度不超过125° F (50° C) 的冷水时，才允许流体压力超过8bar。在未咨询ROTOFLUX的情况下，请勿在最大应用限制下使用接头。



Ordering Code 订货代码	Double Passage Rotating Siphon 双通路固定虹吸接头																			
Water 水	B	ØD	E	ØF	ØG	H	J	L	ØM F9	ØN	O	ØP F8	Q	R	S	T	U	ØV h9	W	Kg
L20-1301-01P-810	G 1/2"	17.5	118	89	34	30	28	57	60	75	5	25	25	18	7 4x90°	72	24	12.9	G 1/2"	2.9
L25-1301-01P-810	G 3/4"	24	128	98	41	30	32	59	65	85	5	30	30	18	7 4x90°	78	25	15.9	G 1/2"	3.4



Ordering Code 订货代码	Double Passage Stationary Siphon Unions 双通路固定虹吸接头																			
Water 水	B	ØD	E	ØF	G	H	J	L	ØM F9	ØN	O	ØP F8	Q	R	S	T	U	V	W	Kg
L20-1301-01P-800	G 1/2"	17.5	118	89	34	30	28	57	60	75	5	25	25	18	7 4x90°	66	14	G 1/4"	G 1/2"	2.9
L25-1301-01P-800	G 3/4"	24	128	98	41	30	32	59	65	85	5	30	30	18	7 4x90°	75	16	G 3/8"	G 1/2"	3.4



Customer Interface 客户接口							
	Ø D1	ØM1 h8	ØN1	O	ØP1 h6	ØR1	S1
L20	17.5	60	75	5	25	18	M6 4x90°
L25	24	65	85	5	30	18	M6 4x90°

Rotoflux for Continuous Casting Applications  
罗拓福斯连续压铸模用接头

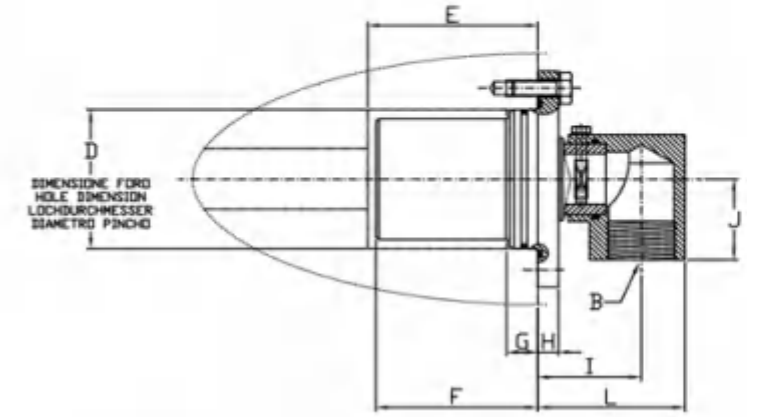
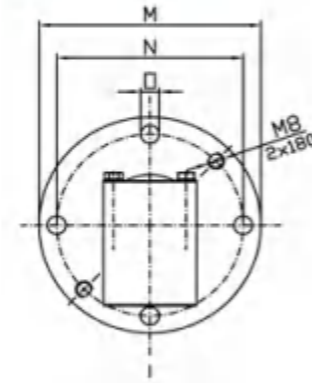
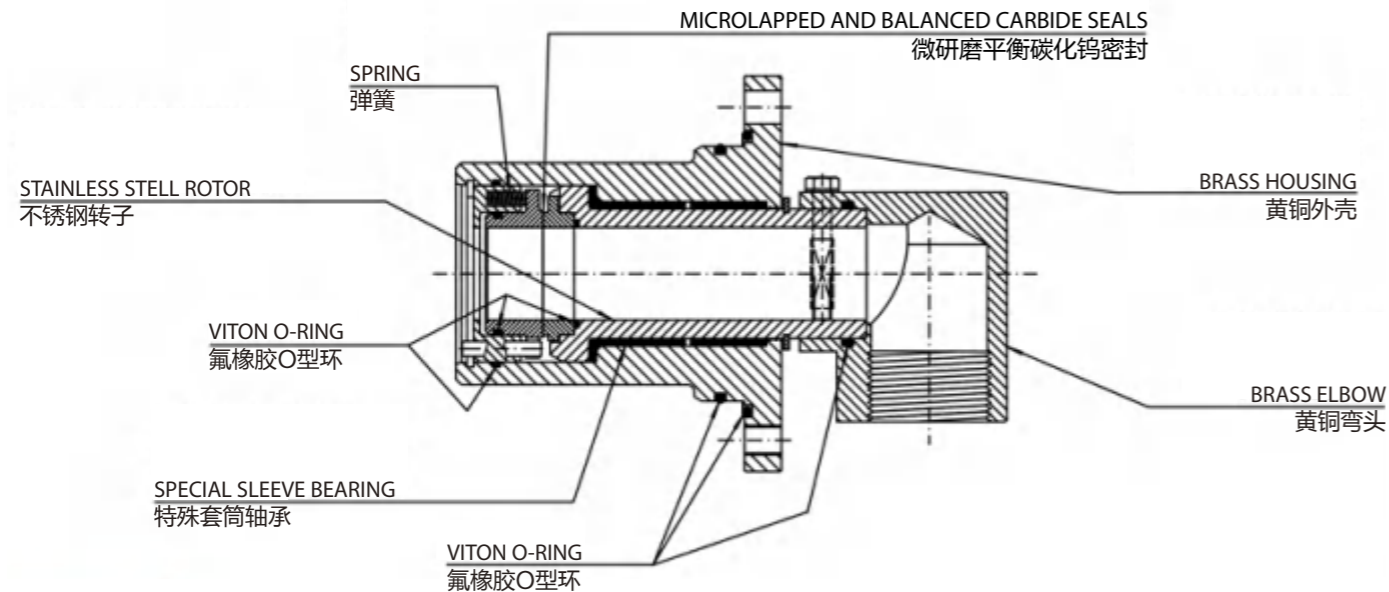
3/4" ÷ 1 1/2"



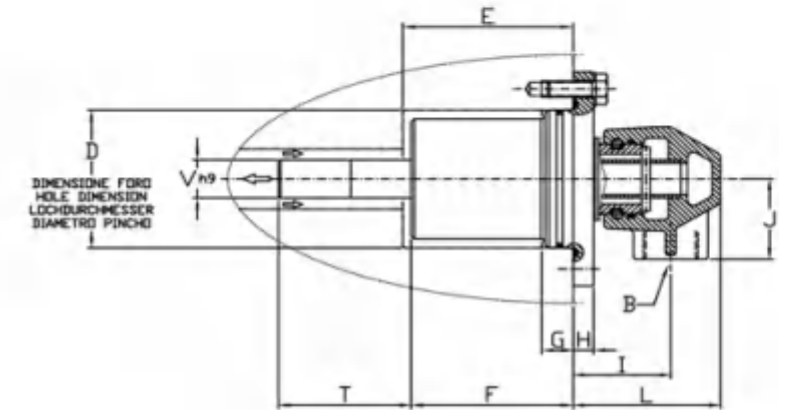
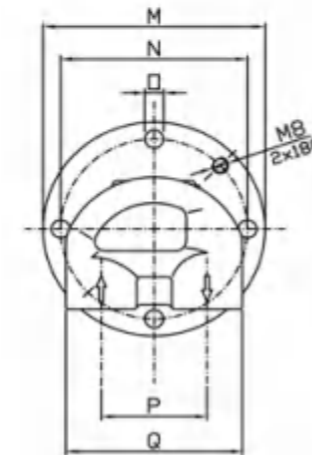
Water 水	10 bar / 145 PSI	120°C / 248°F	100

The unions of the model Z are specifically designed to be mounted inside the cylinders of the continuous casting line. The seals, in carbide for dirty water service, are balanced, lapped and set to withstand to pressure peaks caused by steam bubbles or bumps of different kind. The springs, located out of the fluid flow, avoid deposits and scales. Do not use the unions at max application limits without consulting ROTOFLUX.

Z型号系列接头是专门为用于安装在连铸生产线汽缸内安装而设计的。用碳化钨制成的用于污水处理的密封件，经过平衡、研磨和设置，能够承受由不同类型的气泡或凸起引起的压力峰值。位于流体流动之外的弹簧可避免沉积和结垢。在未咨询ROTOFLUX的情况下，请勿在最大应用限制下使用接头。



Ordering Code 订货代码	Single Passage Unions 单通路接头												
D Seal D型密封	B	ØD	E	F	G	H	I	J	L	ØM	ØN	ØO	Kg
Z20-1307-60Z	G 3/4"	50.1-50.2	63	60	16	8	52	28	71	88	71	9 4x90°	1.5
Z25-1301-60Z	G 1"	71-71.15	81	78	12.5	10	50	40	71	108	90	9 4x90°	2.3
Z40-1301-60Z	G 1 3/4"	71-71.15	91	87.5	12.5	10	61	45	90	109	92	9 4x90°	4.5



Ordering Code 订货代码	Double Passage Stationary Siphon Unions 双通路固定虹吸接头																
D Seal D型密封	2 × B	ØD	E	F	G	H	I	J	L	ØM	ØN	ØO	P	Q	T	ØV h9	Kg
Z20-1307-60Z-800	G 3/4"	50.1-50.2	63	60	16	8	52	40	71	88	71	9 4x90°	51	85	48	13	2
Z25-1301-60Z-800	G 3/4"	71-71.15	81	78	12.5	10	47	40	71	108	90	9 4x90°	51	85	64	19	3
Z40-1301-60Z-800	G 1"	71-71.15	91	87.5	12.5	10	54	45	90	109	92	9 4x90°	64	108	64	28	5

Rotoflux stainless steel unions  
罗拓福斯不锈钢接头



3/4" ÷ 1 1/2"

Water 水	1/4" ÷ 1 1/2" ▷ 50 bar / 725 PSI 2" ▷ 40 bar / 580 PSI	95°C / 203°F	1/4" ÷ 3/4" ▷ 3,500
Air 空气	10 bar / 145 PSI		1" ▷ 3,000
Vacuum 真空	7 kPa / 2 Hg		1 1/4" ÷ 1 1/2" ▷ 2,500 2" ▷ 750

The unions of the model F, in stainless steel, are provided with two different micro-lapped sealing assemblies:

- N model (Standard) with carbon graphite to carbide seals.
- D model (Heavy duty) with carbide to carbide seals.

All the metallic parts in contact with the fluid, are in stainless steel.

Flange rotor are available for rotations in both directions.

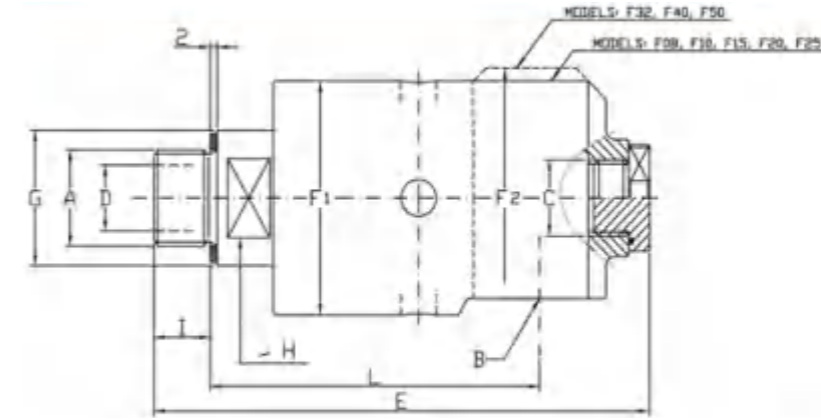
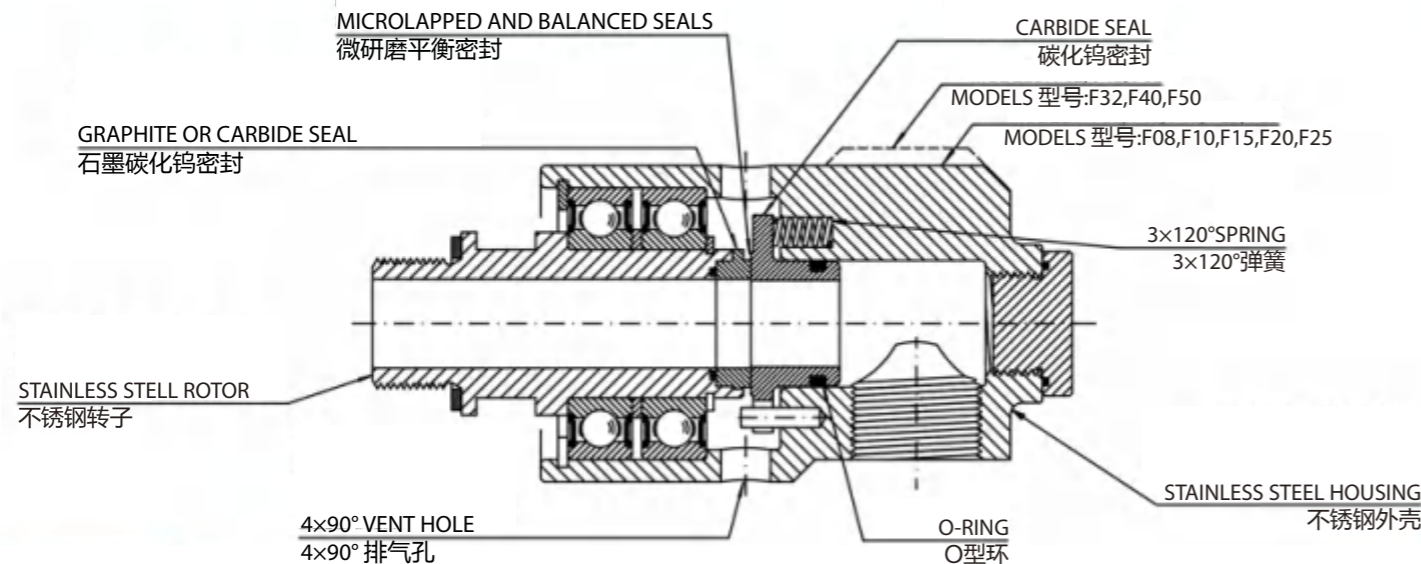
Do not use the unions at max application limits without consulting ROTOFLUX.

F型不锈钢管接头配有两个不同的微研磨密封组件:

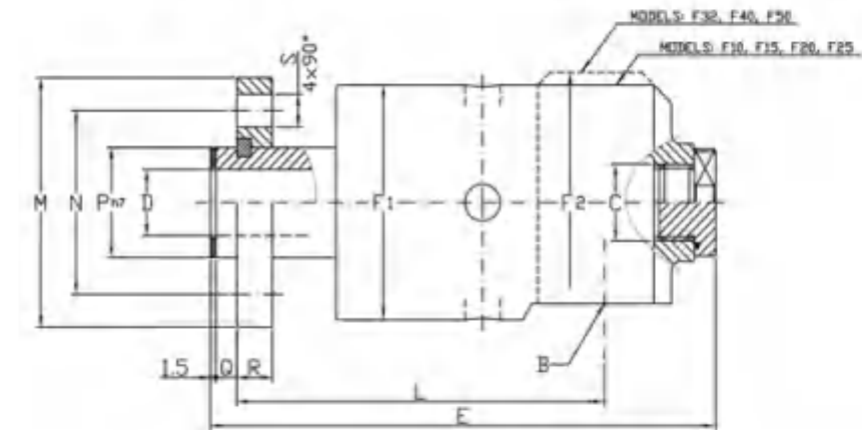
- N型 (标准), 石墨碳化钨密封。
- D型 (重型), 碳化钨密封密封件。

所有与液体接触的金属部件都是不锈钢的。法兰转子可在两个方向上旋转。

在未咨询ROTOFLUX的情况下, 请勿在最大应用限制下使用接头。

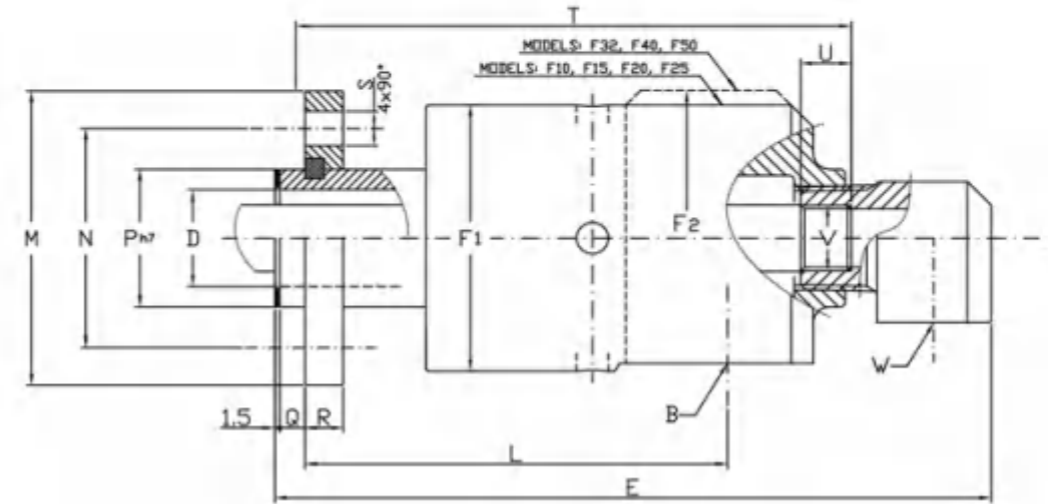
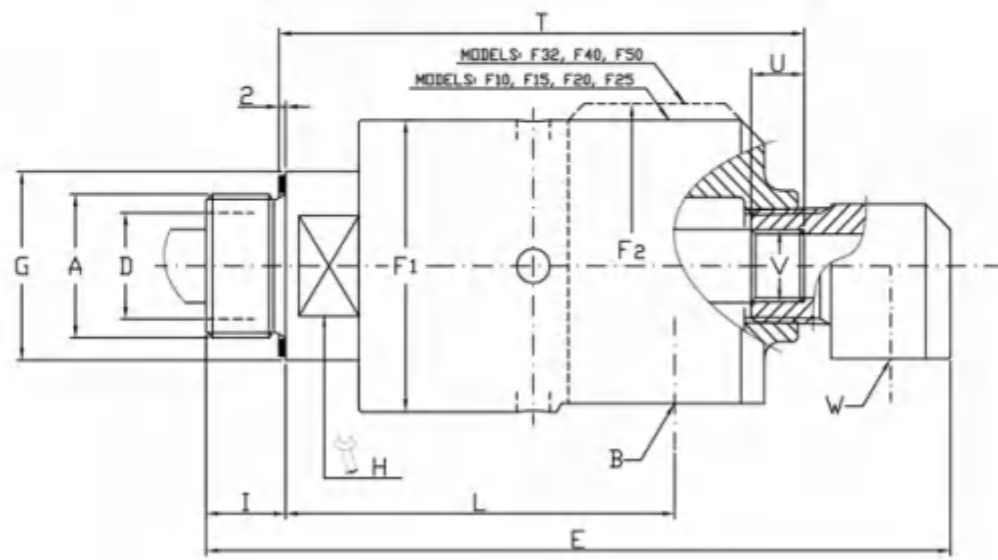


Ordering Code 订货代码			Single Passage Unions 单通路接头											
Water N 水 N型	Water N 水 D型	Air-Vacuum 空气 - 真空	A	B	C	ØD	E	ØF1	ØF2	ØG	H	I	L	Kg
F08-1300-01R	F08-1301-01R	F08-1302-01R	G 1/4" RH	G 1/4"	-	7	88	43	-	20	17	11	67	0.6
F08-1300-02L	F08-1301-02L	F08-1302-02L	G 1/4" LH											
F10-1300-01R	F10-1301-01R	F10-1302-01R	G 3/8" RH	G 3/8"	G 1/4"	9	108	43	-	25	17	13	73	0.7
F10-1300-02L	F10-1301-02L	F10-1302-02L	G 3/8" LH											
F15-1300-01R	F15-1301-01R	F15-1302-01R	G 1/2" RH	G 1/2"	G 3/8"	13	121	54	-	30	24	13	82	1.3
F15-1300-02L	F15-1301-02L	F15-1302-02L	G 1/2" LH											
F20-1300-01R	F20-1301-01R	F20-1302-01R	G 3/4" RH	G 3/4"	G 1/2"	18	142	64	-	37	30	16	94	1.9
F20-1300-02L	F20-1301-02L	F20-1302-02L	G 3/4" LH											
F25-1300-01R	F25-1301-01R	F25-1302-01R	G 1" RH	G 1"	G 3/4"	23	166	69	-	45	36	20	105	2.4
F25-1300-02L	F25-1301-02L	F25-1302-02L	G 1" LH											
F32-1300-01R	F32-1301-01R	F32-1302-01R	RH	G 1 1/4"	G 1"	31	187	85	95	55	46	22	119	4.7
F32-1300-02L	F32-1301-02L	F32-1302-02L	G 1 1/4" LH											
F40-1300-01R	F40-1301-01R	F40-1302-01R	G 1 1/2" RH	G 1 1/2"	G 1 1/4"	36	209	101	109	60	50	24	132	7
F40-1300-02L	F40-1301-02L	F40-1302-02L	G 1 1/2" LH											
F50-1300-01R	F50-1301-01R	F50-1302-01R	G 2" RH	G 2"	G 1 1/4"	48	224	112	119	70	60	25	139	8.2
F50-1300-02L	F50-1301-02L	F50-1302-02L	G 2" LH											



Ordering Code 订货代码			Single Passage Unions 单通路接头													
Water N 水 N型	Water N 水 D型	Air-Vacuum 空气 - 真空	B	C	ØD	E	ØF1	ØF2	L	M	N	ØP h7	Q	R	S	Kg
F10-1300-03F	F10-1301-03F	F10-1302-03F	G 3/8"	G 1/4"	9	111	43	-	82	53	38	18	6	8	9	0.8
F15-1300-03F	F15-1301-03F	F15-1302-03F	G 1/2"	G 3/8"	13	125	54	-	92	60	45	25	6	10	9	1.5
F20-1300-03F	F20-1301-03F	F20-1302-03F	G 3/4"	G 1/2"	18	140	64	-	101	68	50	30	6	10	9	2.1
F25-1300-03F	F25-1301-03F	F25-1302-03F	G 1"	G 3/4"	23	168	69	-	119	78	60	36	7	12	9	2.7
F32-1300-03F	F32-1301-03F	F32-1302-03F	G 1 1/4"	G 1"	31	189	85	95	133	94	70	44	8	12	11	5.3
F40-1300-03F	F40-1301-03F	F40-1302-03F	G 1 1/2"	G 1 1/4"	36	204	101	109	139	99	78	52	10	14	11	7.2
F50-1300-03F	F50-1301-03F	F50-1302-03F	G 2"	G 1 1/4"	48	225	112	119	154	119	95	65	10	14	11	9

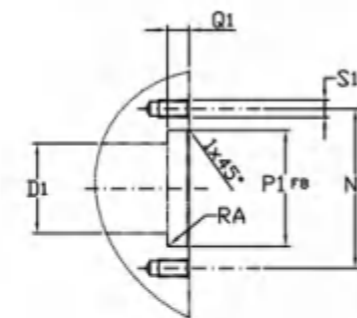




Ordering Code 订货代码		Double Passage Stationary Siphon 双通路固定虹吸接头														
Water D 水 D 型	Water N 水 N 型	A	B	ØD	E	ØF1	ØF2	ØG	H	I	L	T	U	V	W	Kg
F10-1300-01R-800	F10-1301-01R-800	G 3/8" RH	G 3/8"	9	129	43	-	25	17	13	73	92	10	M6	G 1/4"	0.9
F10-1300-02L-800	F10-1301-02L-800	G 3/8" LH	G 3/8"	9	129	43	-	25	17	13	73	92	10	M6	G 1/4"	0.9
F15-1300-01R-800	F15-1301-01R-800	G 1/2" RH	G 1/2"	13	146	54	-	30	24	13	82	105	12	G 1/8"	G 3/8"	1.5
F15-1300-02L-800	F15-1301-02L-800	G 1/2" LH	G 1/2"	13	146	54	-	30	24	13	82	105	12	G 1/8"	G 3/8"	1.5
F20-1300-01R-800	F20-1301-01R-800	G 3/4" RH	G 3/4"	18	173	64	-	37	30	16	94	123	14	G 1/4"	G 1/2"	2.2
F20-1300-02L-800	F20-1301-02L-800	G 3/4" LH	G 3/4"	18	173	64	-	37	30	16	94	123	14	G 1/4"	G 1/2"	2.2
F25-1300-01R-800	F25-1301-01R-800	G 1" RH	G 1"	23	200	69	-	45	36	20	105	144	16	G 3/8"	G 1/2"	2.7
F25-1300-02L-800	F25-1301-02L-800	G 1" LH	G 1"	23	200	69	-	45	36	20	105	144	16	G 3/8"	G 1/2"	2.7
F32-1300-01R-800	F32-1301-01R-800	G 1 1/4" RH	G 1 1/4"	31	224	85	94	55	46	22	119	158	16	G 1/2"	G 3/4"	5.1
F32-1300-02L-800	F32-1301-02L-800	G 1 1/4" LH	G 1 1/4"	31	224	85	94	55	46	22	119	158	16	G 1/2"	G 3/4"	5.1
F40-1300-01R-800	F40-1301-01R-800	G 1 1/2" RH	G 1 1/2"	36	256	93	109	60	50	24	132	177	18	G 3/4"	G 1"	7.4
F40-1300-02L-800	F40-1301-02L-800	G 1 1/2" LH	G 1 1/2"	36	256	93	109	60	50	24	132	177	18	G 3/4"	G 1"	7.4
F50-1300-01R-800	F50-1301-01R-800	G 2" RH	G 2"	48	281	112	119	70	60	25	139	193	20	G 1"	G 1 1/4"	8.7
F50-1300-02L-800	F50-1301-02L-800	G 2" LH	G 2"	48	281	112	119	70	60	25	139	193	20	G 1"	G 1 1/4"	8.7

Ordering Code 订货代码		Double Passage Stationary Siphon 双通路固定虹吸接头																
Water N 水 N 型	Water D 水 D 型	B	ØD	E	ØF1	ØF2	L	ØM	ØN	Ø P h7	Q	R	S	T	U	V	W	Kg
F10-1300-03F-800	F10-1301-03F-800	G 3/8"	9	132	43	-	82	53	38	18	6	8	9	101	10	M6	G 1/4"	1
F15-1300-03F-800	F15-1301-03F-800	G 1/2"	13	151	54	-	92	60	45	25	6	10	9	115	12	G 1/8"	G 3/8"	1.7
F20-1300-03F-800	F20-1301-03F-800	G 3/4"	18	172	64	-	101	68	50	30	6	10	9	130	14	G 1/4"	G 1/2"	2.4
F25-1300-03F-800	F25-1301-03F-800	G 1"	23	202	69	-	119	78	60	36	7	12	9	157	16	G 3/8"	G 1/2"	3
F32-1300-03F-800	F32-1301-03F-800	G 1 1/4"	31	225	85	94	133	94	70	44	8	12	11	172	16	G 1/2"	G 3/4"	5.6
F40-1300-03F-800	F40-1301-03F-800	G 1 1/2"	36	251	93	109	139	99	78	52	10	14	11	185	18	G 3/4"	G 1"	7.6
F50-1300-03F-800	F50-1301-03F-800	G 2"	48	282	112	119	154	119	95	65	10	14	11	208	20	G 1"	G 1 1/4"	9.5

Metric threads, NPT threads and other threads are available  
适用于公制螺纹、NPT螺纹和其他螺纹



Customer Interface 客户接口						
	ØD1	ØN1	ØP1 F8	RA	Q1	S1
F10	9	38	18	0.2	6	M8 4×90°
F15	13	45	25	0.2	6	M8 4×90°
F20	18	50	30	0.2	6	M8 4×90°
F25	23	60	36	0.2	7	M8 4×90°
F32	31	70	44	0.2	8	M10 4×90°
F40	36	78	52	0.2	10	M10 4×90°
L25	48	95	65	0.2	10	M10 4×90°



Rotoflux for air, vacuum and hydraulic oil  
空气、真空和液压油用罗托福斯接头

1/8" ÷ 2"



Air 空气	10 bar / 145 PSI	120°C / 245°F	1/4" ÷ 3/4" ▷ 3.500
Vacuum 真空	7 kPa / 2" Hg		1" ▷ 3.000
Hydraulic Oil 液压油	1/8" ÷ 1 1/2" ▷ 50 bar / 725 PSI 2" ▷ 40 bar / 580 PSI		1 1/4" ÷ 1 1/2" ▷ 2.500 2" ▷ 750

The unions of the model T are provided with two different micro-lapped sealing assemblies:

- N model (Standard) with carbon graphite to carbide seals, for air, vacuum and hydraulic oil at 20 bar max pressure.
- D model (Heavy duty) with carbide to carbide seals for hydraulic oil applications.

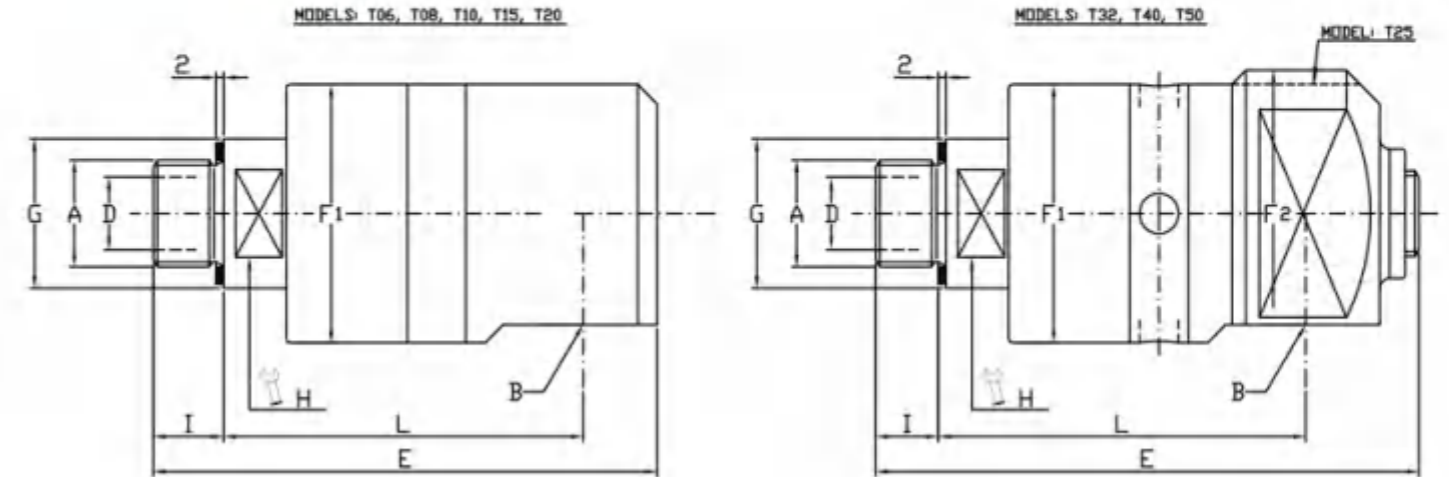
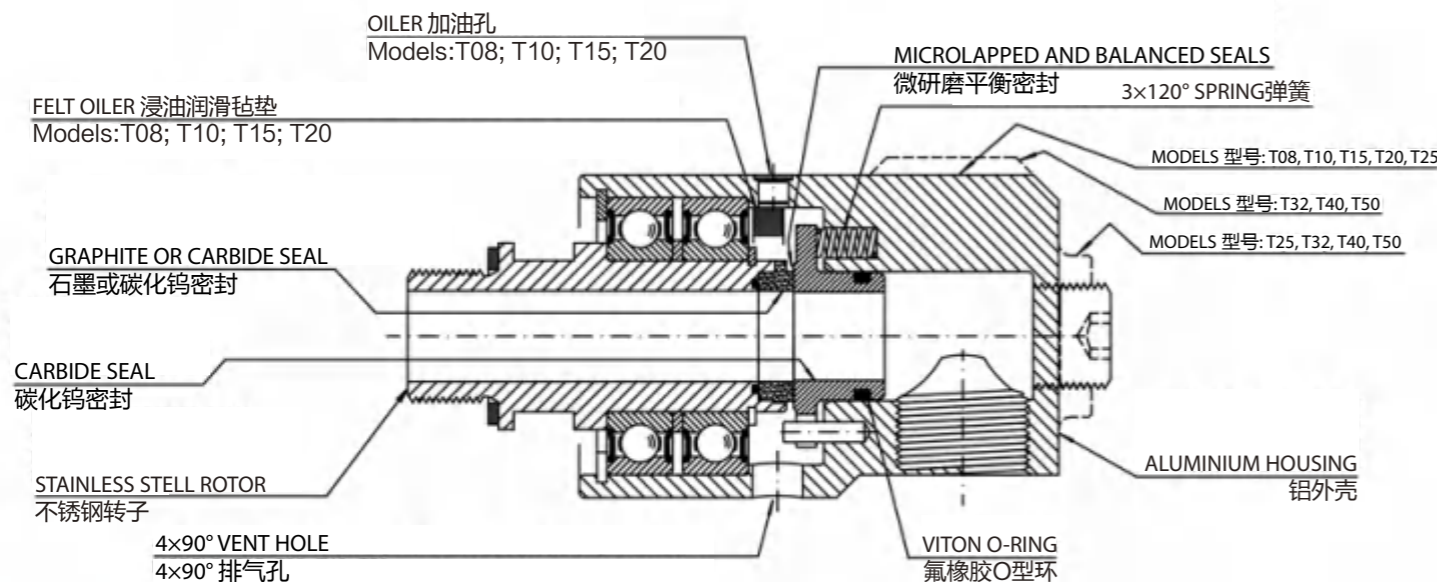
The model T06, very short, is provided with a center spring and N seal in stainless steel to carbon graphite or with D seal in stainless steel against bronze.

Do not use the unions at max application limits without consulting ROTOFLUX.

T型接头配有两个不同的微研磨密封组件:

- N型 (标准), 石墨碳化钨密封, 用于最大压力为20巴的空气、真空和液压油。
- D型 (重型), 碳化钨密封, 用于液压油应用。

T06型号非常短, 配有一个中心弹簧和一个不锈钢碳化钨的N形密封圈, 或者不锈钢对青铜的D形密封圈。在未咨询ROTOFLUX的情况下, 请勿在最大应用限制下使用接头。



Ordering Code 订货代码		Single Passage Unions 单通路接头									
Air - Vacuum 空气 - 真空	Hydraulic Oil 液压油	A	B	Ø D	E	Ø F1	Ø G	H	I	L	Kg
T06-302-01R	T06-301-01R	G 1/4" RH	G 1/8"	3.5	72	29	20	15	11	53	0.2
T06-302-02L	T06-301-02L	G 1/4" LH									
T06-302-04R	T06-301-04R	M10x1 PT.11									
T08-1302-01R	T08-1301-01R	G 1/4" RH	G 1/4"	7	89	43	20	17	11	68	0.4
T08-1302-01R	T08-1301-01R	G 1/4" LH									
T10-1302-01R	T10-1301-01R	G 3/8" RH	G 3/8"	9	99	43	25	17	13	73	0.4
T10-1302-02L	T10-1301-02L	G 3/8" LH									
T15-1302-01R	T15-1301-01R	G 1/2" RH	G 1/2"	13	112	54	30	24	13	82	0.7
T15-1302-02L	T15-1301-02L	G 1/2" LH									
T20-1302-01R	T20-1301-01R	G 3/4" RH	G 3/4"	18	130	64	37	30	16	94	1.2
T20-1302-02L	T20-1301-02L	G 3/4" LH									
T25-1302-01R	T25-1301-01R	G 1" RH	G 1"	23	162	69	45	36	20	105	1.5
T25-1302-02L	T25-1301-02L	G 1" LH									
T32-1302-01R	T32-1301-01R	G 1 1/4" RH	G 1 1/4"	31	181	85	55	46	22	119	2.4
T32-1302-02L	T32-1301-02L	G 1 1/4" LH									
T40-1302-01R	T40-1301-01R	G 1 1/2" RH	G 1 1/2"	36	208	101	60	50	24	132	3.6
T40-1302-02L	T40-1301-02L	G 1 1/2" LH									
T50-1302-01R	T50-1301-01R	G 2" RH	G 2"	48	223	112	70	60	25	139	5.3
T50-1302-02L	T50-1301-02L	G 2" LH									

Metric threads, NPT threads and other threads are available  
适用于公制螺纹、NPT螺纹和其他螺纹

Rotoflux in the shaft mounting  
用在轴安装中的罗托福斯接头

1/8" ÷ 1/2"



Air 空气	10 bar / 145 PSI	120°C / 248°F	3.500
Vacuum 真空	7 kPa / 2" Hg		
Hydraulic Oil 液压油	50 bar / 725 PSI		

The unions of the model V are designed for inside the shaft mounting with short overhang. They are available with two different micro-lapped sealing assemblies:

- N model (Standard) with carbon graphite to carbide seals, for air, vacuum and hydraulic oil at 20 bar max pressure.
- D model (Heavy duty) with carbide to carbide seals for hydraulic oil applications.

The model V06, very short, is provided with a center spring and with N seals in stainless steel to carbon graphite or with D seals in stainless steel against bronze.

Do not use the unions at max application limits without consulting ROTOFLUX

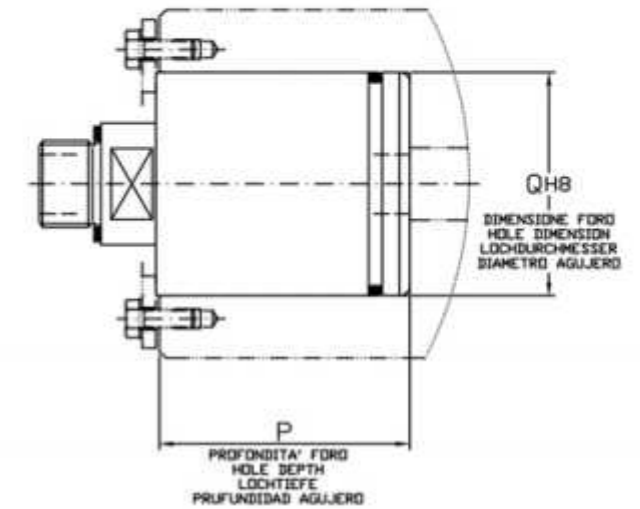
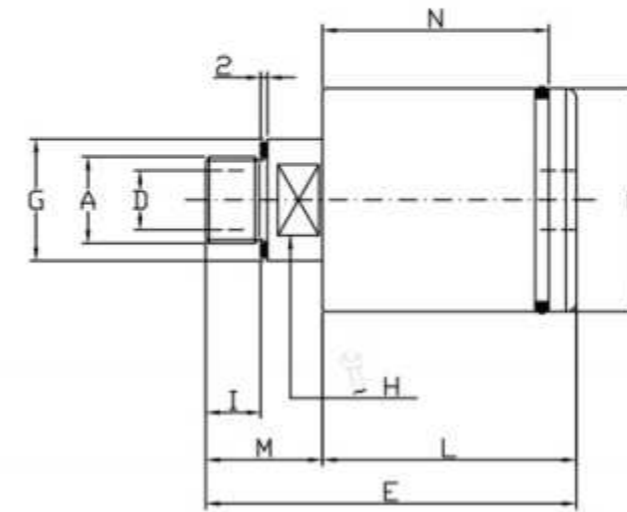
V型活接头设计用于具有短悬挂的轴内安装。

它们有两种不同的微研磨密封组件：

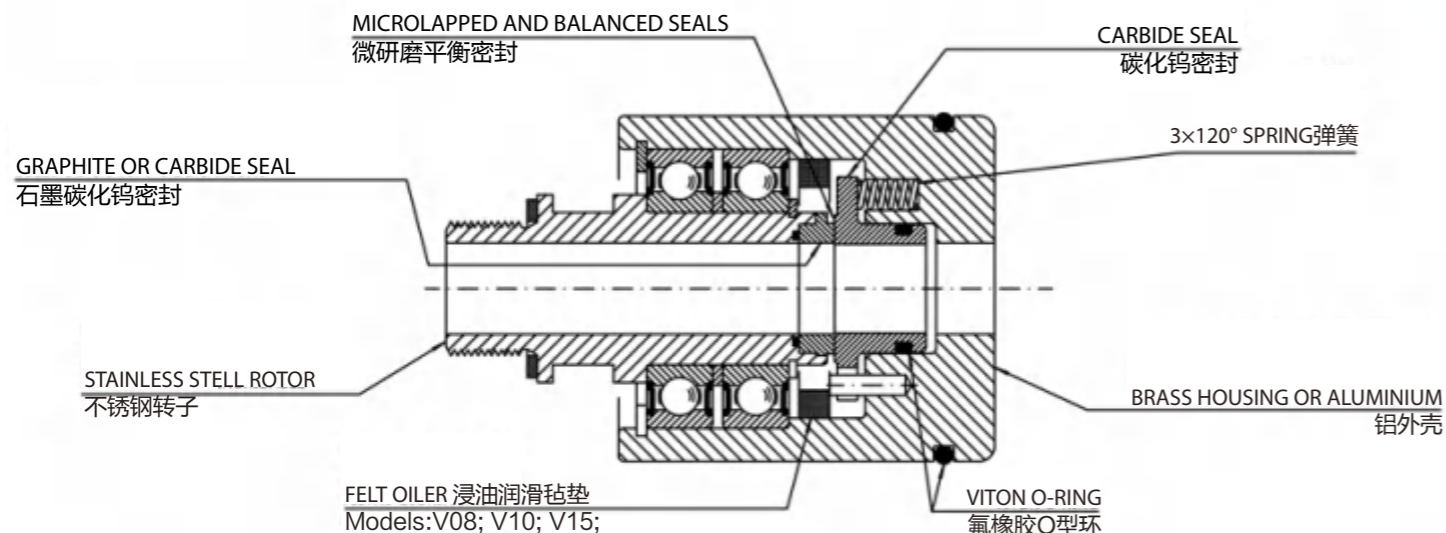
- N型（标准），石墨碳化钨密封，用于最大压力为20巴的空气、真空和液压油。
- D型（重型），碳化钨密封件，用于液压油应用。

V06型号非常短，配有一个中心弹簧和一个不锈钢石墨的N形密封圈，或者不锈钢对青铜的D形密封圈。

在未咨询ROTOFLUX的情况下，请勿在最大应用限制下使用接头。



Ordering Code 订货代码		Single Passage Unions 单通路接头												
Air - Vacuum 空气 - 真空	Hydraulic Oil 液压油	A	ØD	E	ØF	ØG	H	I	L	M	N	P	ØQH8	Kg
V06-302-01R	V06-301-01R	G 1/4" RH	3.5	71	28.4	20	15	48	48	23	28	47.5	28.5	0.2
V08-1302-01R	V08-1301-01R	G 1/4" RH	7	82	44.3	20	17	59	59	23	50	58.5	44.5	0.6
V10-1302-01R	V10-1301-01R	G 3/8" RH	9	91	49	25	17	64	64	27	54	63.5	49.2	0.7
V15-1302-01R	V15-1301-01R	G 1/2" RH	13	96	58.5	30	24	68	68	28	58	67.5	58.7	1.3



Rotoflux for high temperature  
高温用罗托福斯接头

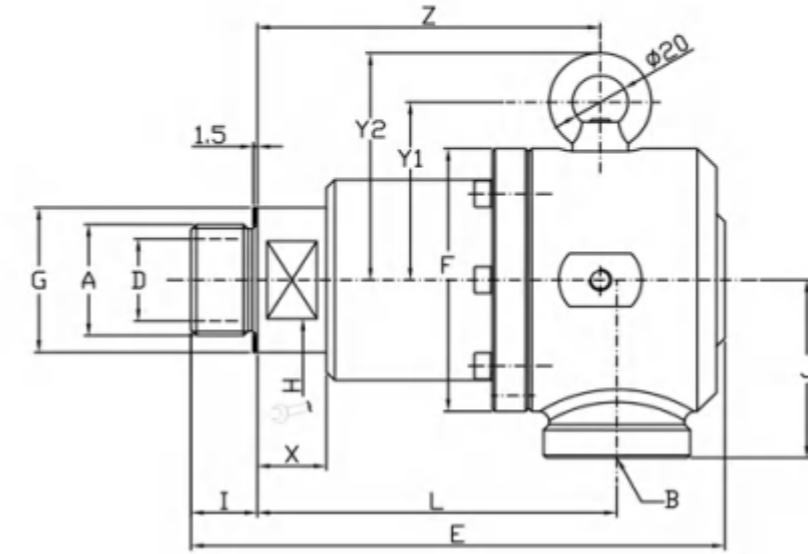
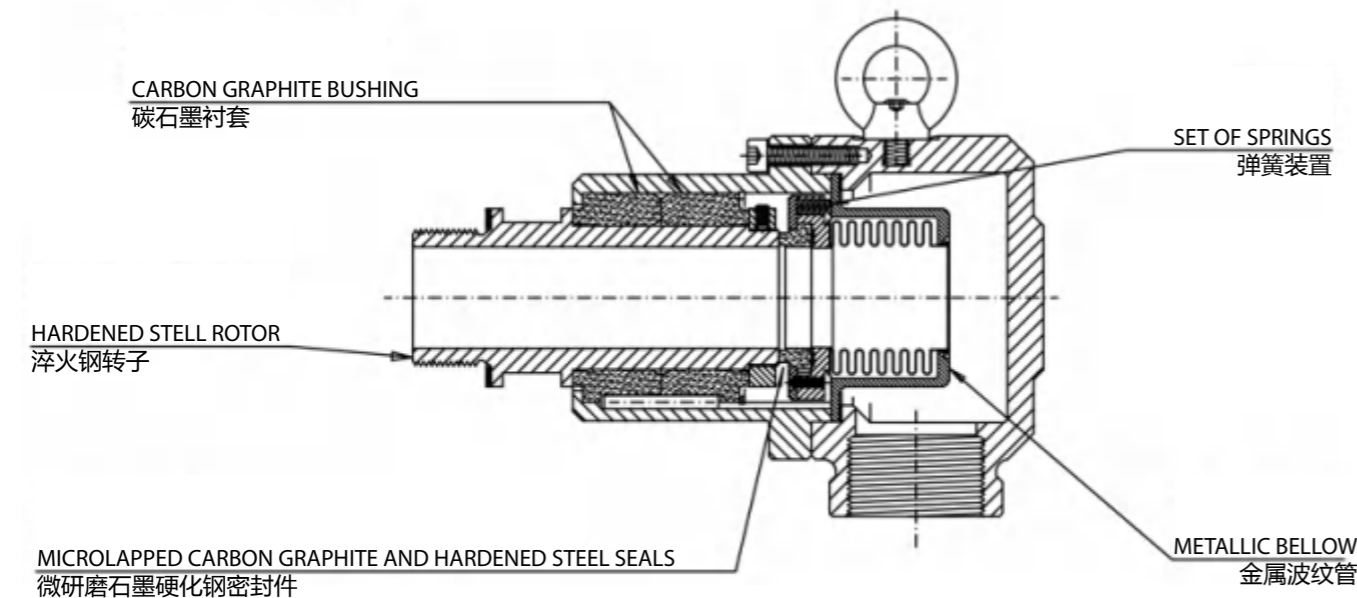
3/4" ÷ 2"



Steam 蒸汽	10 bar / 145 PSI	185°C / 365°F	3/4" ÷ 1" ▷ 300 1 1/2" ÷ 2" ▷ 250
Hot Oil 热油	6 kPa / 87 PSI	340°C / 645°F	3/4" ÷ 1" ▷ 500 1 1/2" ÷ 2" ▷ 450

The G Series rotary unions have been especially developed in order to manage the flow of high temperature liquids. The special bellow, specifically designed in stainless steel for this very application, guarantees a long life for the unions, without problems even in case of very demanding applications. The graphite micro-lapped seals, thanks to the flexibility of the bellow, perfectly match the case-hardened steel seal of the rotating shaft. The two sintered graphite bushings allow a perfect axial rotation without any problems.

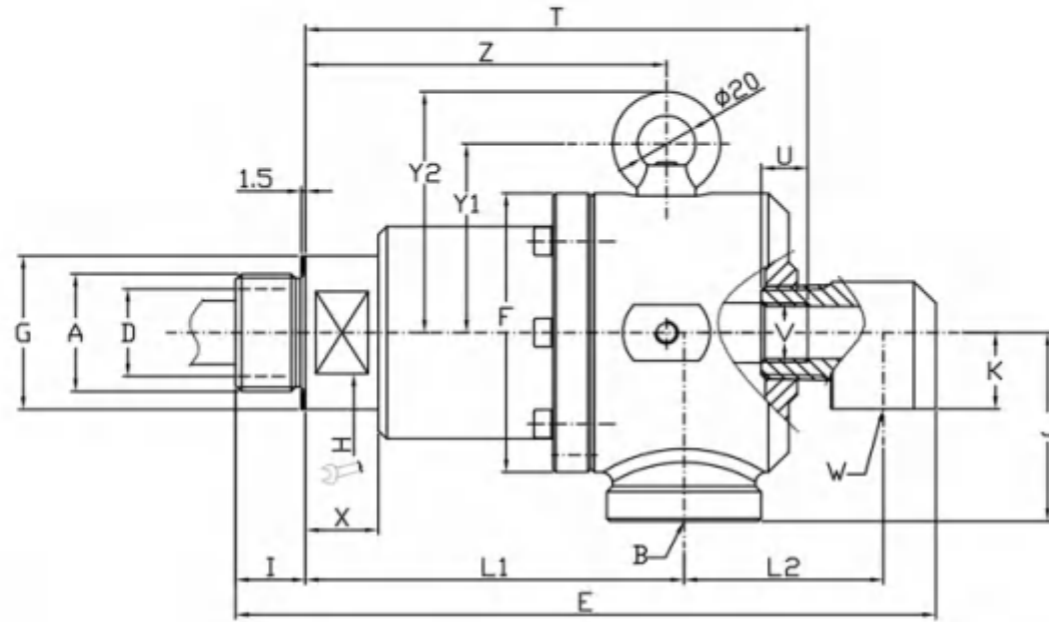
为了管理高温液体的流动，特别开发了G系列旋转接头。  
专门为此应用设计的不锈钢特殊波纹管，即使在非常苛刻的应用情况下也没问题，保证了活接头的长寿命。  
石墨微研磨密封，由于波纹管的灵活性，完全匹配旋转轴的表面硬化钢密封。  
两个烧结石墨衬套允许完美的没有任何问题的轴向旋转。



Ordering Code 订货代码	Single Passage Unions 单通路接头														
	A	B	ØD	E	ØF	ØG	H	I	J	L	X	Y1	Y2	Z	Kg
<b>G20-1400-01R</b>	G 3/4" RH	G 3/4"	18	151	82	40	32	18	52	104	19	59	77	104	2.5
<b>G20-1400-02L</b>	G 3/4" LH														
<b>G25-1400-01R</b>	G 1" RH	G 1"	23	168	88	45	36	22	60	112	20	62	80	111	3.1
<b>G25-1400-02L</b>	G 1" LH														
<b>G32-1400-01R</b>	G 1 1/4" RH	G 1 1/4"	31	193	99	55	46	24	67	130	25	67	85	124	4.6
<b>G32-1400-02L</b>	G 1 1/4" LH														
<b>G40-1400-01R</b>	G 1 1/2" RH	G 1 1/2"	37	214	109	63	50	26	74	144	26	72	90	134	5.9
<b>G40-1400-02L</b>	G 1 1/2" LH														
<b>G50-1400-01R</b>	G 2" RH	G 2"	48	247	129	74	60	27	85	165	28	82	100	154	8.7
<b>G50-1400-02L</b>	G 2" LH														

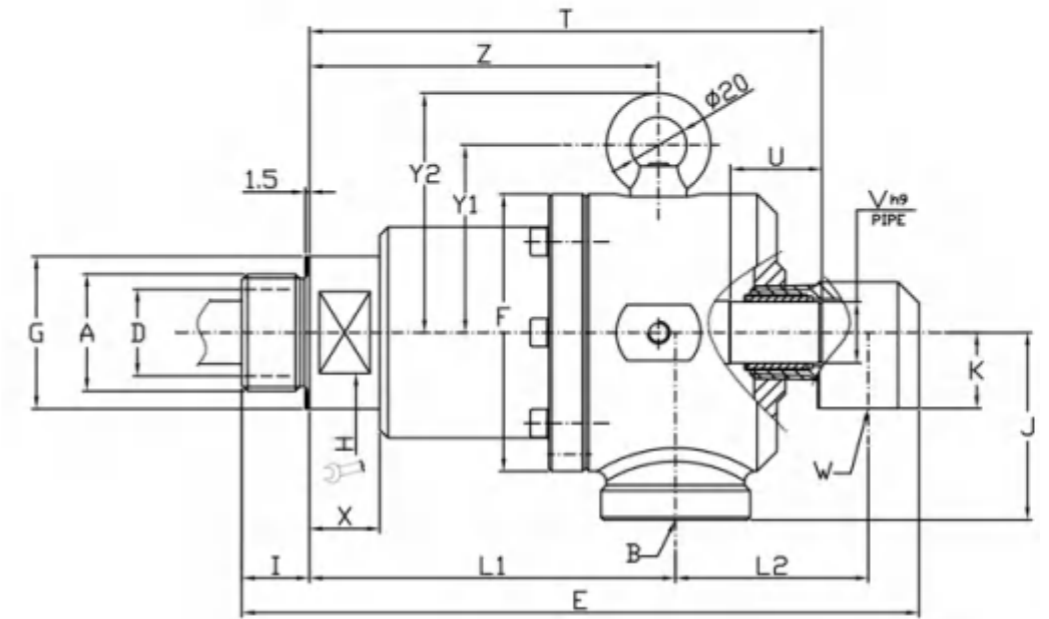
NPT threads and other threads are available  
适用于NPT螺纹和其他螺纹





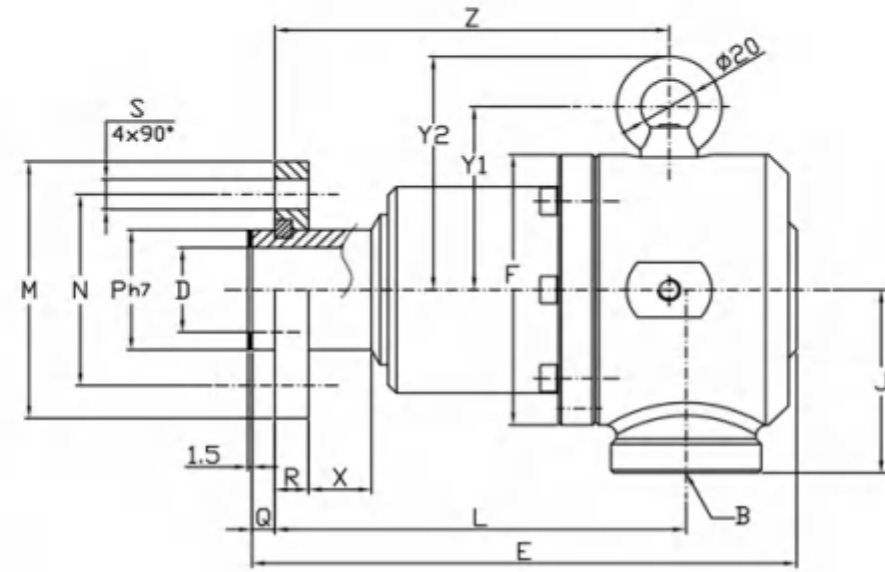
Ordering Code 订货代码	Double Passage Stationary Siphon Unions 双通路固定虹吸接头																				
	A	B	ØD	E	ØF	ØG	H	I	J	K	L1	L2	T	U	V	W	X	Y1	Y2	Z	Kg
<b>G20-1400-01R-800</b>	G 3/4" RH	G 3/4"	18	188	82	40	32	18	52	22	104	51	137	14	G 1/4"	G 1/2"	19	59	77	104	2.7
<b>G20-1400-02L-800</b>	G 3/4" RH																				
<b>G25-1400-01R-800</b>	G 1" RH	G 1"	23	208	88	45	36	22	60	24	112	59	151	16	G 3/8"	G 1/2"	20	62	80	111	3.5
<b>G25-1400-02L-800</b>	G 1" LH																				
<b>G32-1400-01R-800</b>	G 1 1/4" RH	G 1 1/4"	31	241	99	55	46	24	67	27	130	69	173	16	G 1/2"	G 3/4"	25	67	85	124	5.0
<b>G32-1400-02L-800</b>	G 1 1/4" RH																				
<b>G40-1400-01R-800</b>	G 1 1/2" RH	G 1 1/2"	37	272	109	63	50	26	74	34	144	80	191	18	G 3/4"	G 1"	26	72	90	134	6.8
<b>G40-1400-02L-800</b>	G 1 1/2" LH																				
<b>G50-1400-01R-800</b>	G 2" RH	G 2"	48	315	129	74	60	27	85	35	165	96	225	20	G 1"	G 1 1/4"	28	82	100	154	9.6
<b>G50-1400-02L-800</b>	G 2" LH																				

NPT threads and other threads are available  
适用于NPT螺纹和其他螺纹

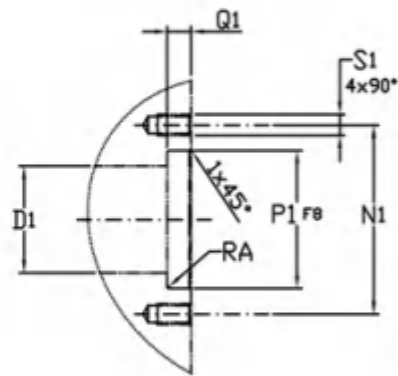


Ordering Code 订货代码	Double Passage Rotating Siphon Unions 双通路旋转虹吸接头																				
	A	B	ØD	E	ØF	ØG	H	I	J	K	L1	L2	T	U	ØV h9	W	X	Y1	Y2	Z	Kg
<b>G20-1400-01R-810</b>	G 3/4" RH	G 3/4"	18	188	82	40	32	18	52	22	104	51	140	24	12.9	G 1/2"	19	59	77	104	2.7
<b>G20-1400-02L-810</b>	G 3/4" RH																				
<b>G25-1400-01R-810</b>	G 1" RH	G 1"	23	208	88	45	36	22	60	24	112	59	157	30	15.9	G 1/2"	20	62	80	111	3.5
<b>G25-1400-02L-810</b>	G 1" LH																				
<b>G32-1400-01R-810</b>	G 1 1/4" RH	G 1 1/4"	31	241	99	55	46	24	67	27	130	69	183	34	21.8	G 3/4"	25	67	85	124	5.0
<b>G32-1400-02L-810</b>	G 1 1/4" RH																				
<b>G40-1400-01R-810</b>	G 1 1/2" RH	G 1 1/2"	37	272	109	63	50	26	74	34	144	80	202	38	25.8	G 1"	26	72	90	134	6.8
<b>G40-1400-02L-810</b>	G 1 1/2" LH																				
<b>G50-1400-01R-810</b>	G 2" RH	G 2"	48	315	129	74	60	27	85	35	165	96	234	38	30	G 1 1/4"	28	82	100	154	9.6
<b>G50-1400-02L-810</b>	G 2" LH																				

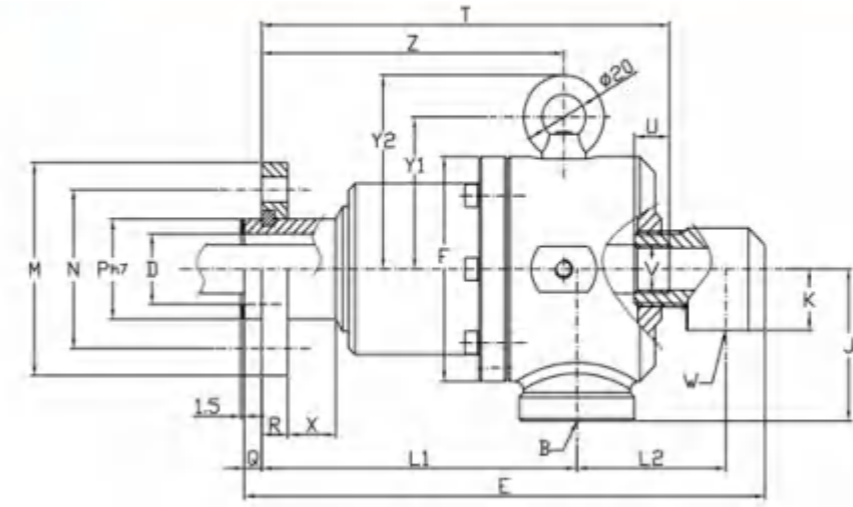
NPT threads and other threads are available  
适用于NPT螺纹和其他螺纹



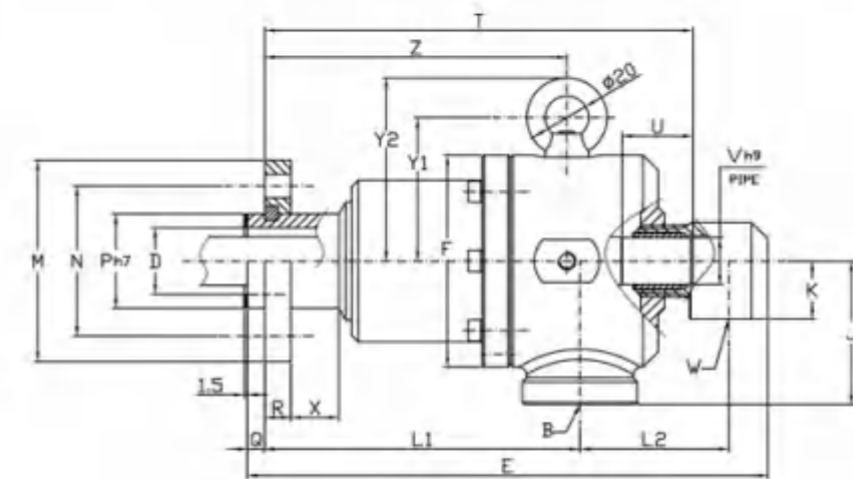
Ordering Code 订货代码	Single Passage Unions 单通路接头																
	B	ØD	E	ØF	J	L	ØM	ØN	ØP h9	Q	R	ØS	X	Y1	Y2	Z	Kg
G20-1400-03F	G 3/4"	18	151	82	52	116	104	51	30	6	10	9	16	59	77	116	2.7
G25-1400-03F	G 1"	23	187	88	60	127	112	59	36	7	12	9	18	62	80	126	3.5
G32-1400-03F	G 1 1/4"	31	192	99	67	145	130	69	44	8	12	11	22	67	85	139	5.0
G40-1400-03F	G 1 1/2"	37	214	109	74	160	144	80	52	10	14	11	22	72	90	150	6.8
G50-1400-03F	G 2"	48	247	129	85	182	165	96	65	10	14	11	25	82	100	171	9.6



	Customer Interface 客户接口					
	ØD	ØN1	ØP1 F8	RA	Q1	S1
G20	18	50	30	0.2	6	M8
G25	23	60	36	0.2	7	M8
G32	31	70	44	0.2	8	M10
G40	37	78	52	0.2	10	M10
G50	48	95	65	0.2	10	M10



Ordering Code 订货代码	Double Passage Stationary Siphon Unions 双通路固定虹吸接头																						
	B	ØD	E	ØF	J	K	L1	L2	ØM	ØN	ØP h7	Q	R	ØS	T	U	V	W	X	Y1	Y2	Z	Kg
G20-1400-03F-800	G 3/4"	18	188	82	52	22	116	51	68	50	30	6	10	9	149	14	G 1/4"	G 1/2"	16	59	77	116	2.9
G25-1400-03F-800	G 1"	23	208	88	60	24	127	59	78	60	36	7	12	9	166	16	G 3/8"	G 1/2"	18	62	80	126	3.8
G32-1400-03F-800	G 1 1/4"	31	240	99	67	27	145	69	94	70	44	8	12	11	188	16	G 1/2"	G 3/4"	22	67	85	139	5.5
G40-1400-03F-800	G 1 1/2"	37	242	109	74	34	160	80	99	78	52	10	14	11	207	18	G 3/4"	G 1"	22	72	90	150	7.3
G50-1400-03F-800	G 2"	48	315	129	85	35	182	96	119	95	65	10	14	11	242	20	G 1	G 1 1/4"	25	82	100	171	10.4



Ordering Code 订货代码	Double Passage Rotating Siphon Unions 双通路旋转虹吸接头																						
	B	ØD	E	ØF	J	K	L1	L2	ØM	ØN	ØP h7	Q	R	ØS	T	U	ØV h9	W	X	Y1	Y2	Z	Kg
G20-1400-03F-810	G 3/4"	18	188	82	52	22	116	51	68	50	30	6	10	9	152	24	12.9	G 1/2"	16	59	77	116	2.9
G25-1400-03F-810	G 1"	23	208	88	60	24	127	59	78	60	36	7	12	9	172	30	15.9	G 1/2"	18	62	80	126	3.8
G32-1400-03F-810	G 1 1/4"	31	240	99	67	27	145	69	94	70	44	8	12	11	198	34	21.8	G 3/4"	22	67	85	139	5.5
G40-1400-03F-810	G 1 1/2"	37	242	109	74	34	160	80	99	78	52	10	14	11	218	38	25.8	G 1"	22	72	90	150	7.3
G50-1400-03F-810	G 2"	48	315	129	85	35	182	96	119	95	65	10	14	11	251	38	30	G 1 1/4"	25	82	100	171	10.4

Rotoflux for high speed application  
罗托福斯在高速领域的应用

1/4" ÷ 3/8"



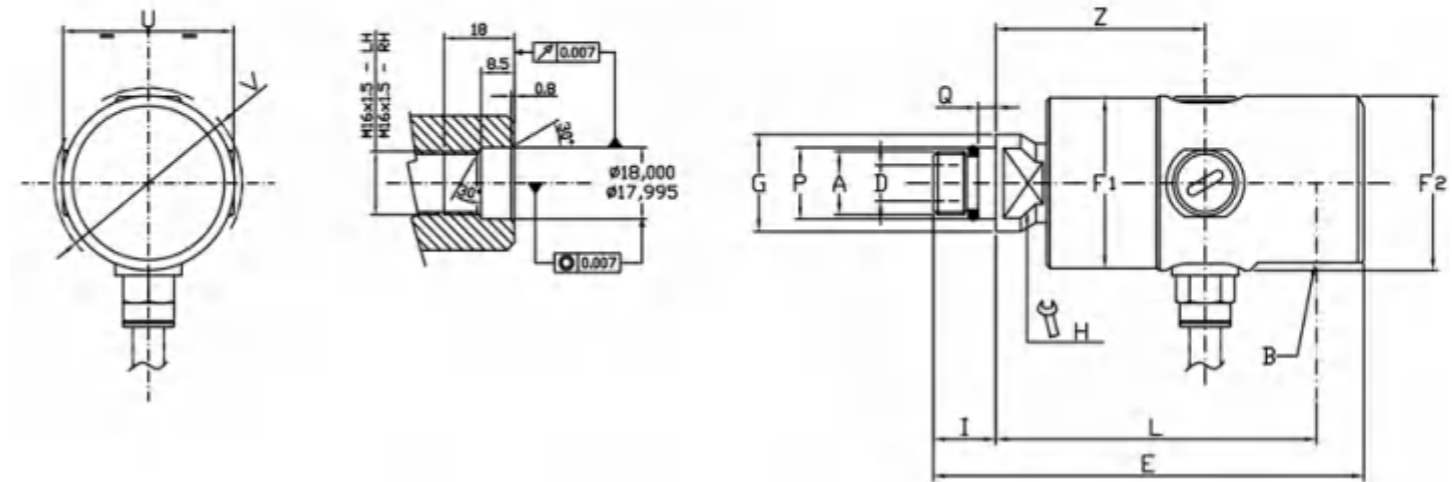
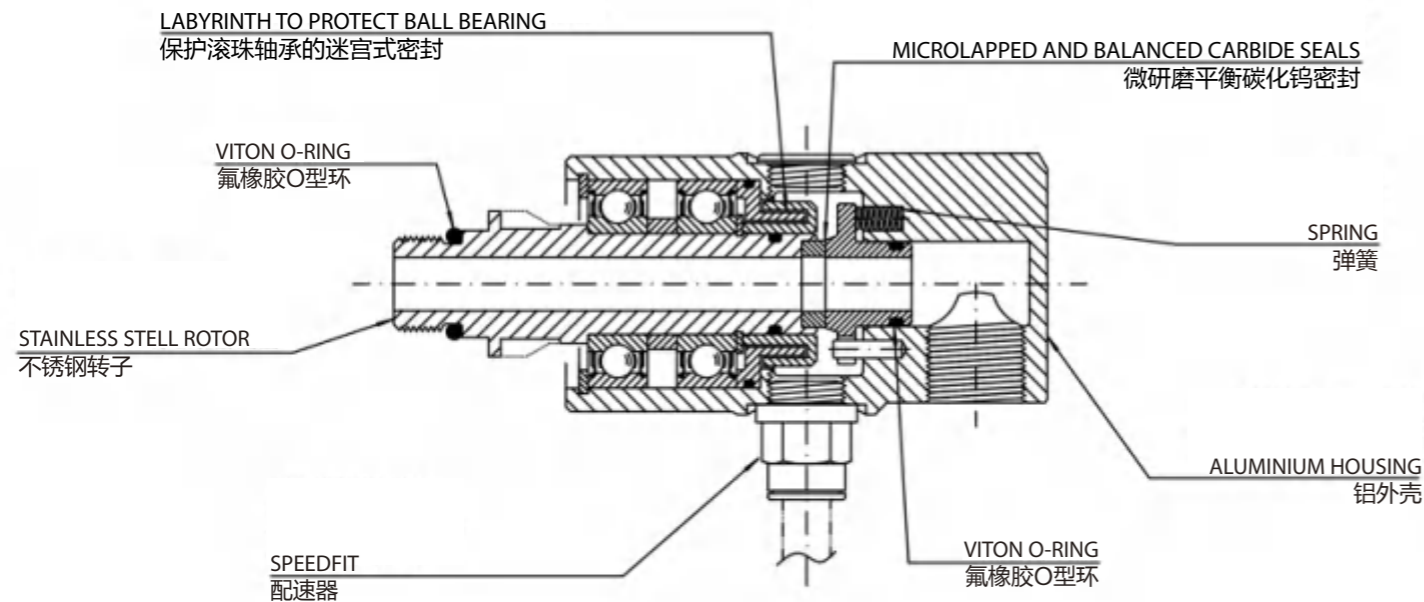
	MODEL 型号		°C / °F		
Coolant 冷却液	A08	100 bar / 1.450 PSI	90°C / 195°F	15.000	60 μ (MAX 100)
	A10	40bar / 580 PSI		10.000	
Dry Run 干旋转	A08	/	/	NO	/
	A10	/	/	NO	/

The unions of the model A are used for the passage of coolant through the machine tool spindles rotating at high speed. Well balanced seal assemblies in carbide allow a low friction torque and long life even with a poor filtration of the coolant.

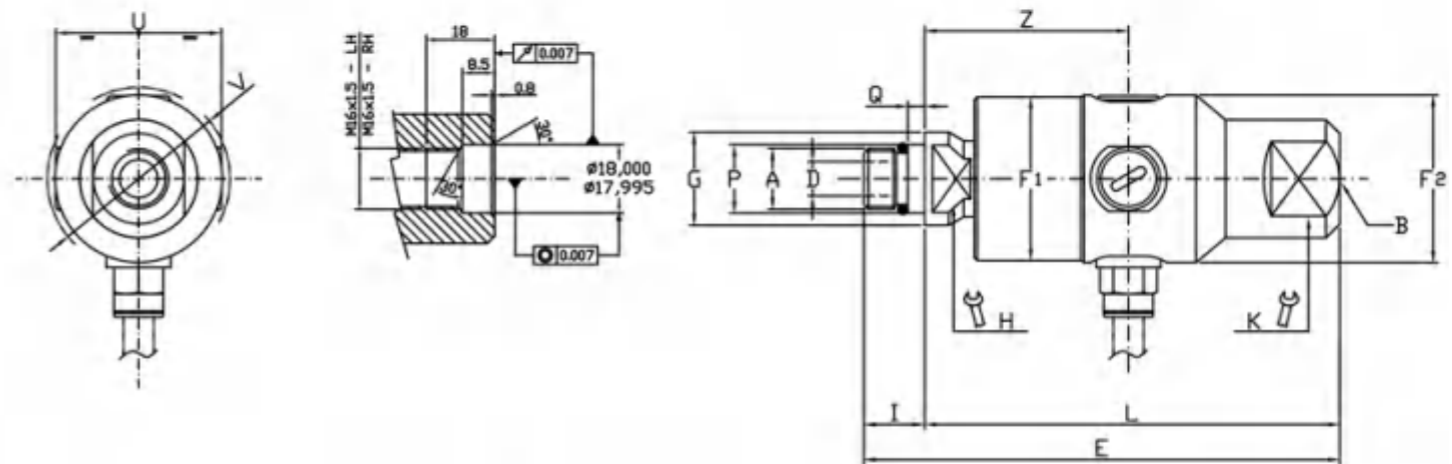
Do not use the unions at max application limits without consulting ROTOFLUX.

A型接头用于冷却液通过高速旋转的机床主轴。碳化钨密封组件平衡良好，即使在冷却液过滤不良的情况下，也能实现低摩擦扭矩和长寿命。

在未咨询ROTOFLUX的情况下，请勿在最大应用限制下使用接头。



Ordering Code 订货代码	90° Unions 90度接头															
	A	B	ØD	E	ØF1	ØF2	ØG	H	I	L	ØP	Q	U	ØV	Z	Kg
A08-1301-04R	M16×1.5 RH	G 1/4"	5	91	34	34.4	24.5	17	16	66	18	4.5	35	38	41	0.3
A08-1301-05L	M16×1.5 LH															
A10-1301-04R	M16×1.5 RH	G 3/8"	9	110	43	44	24.5	17	16	82	18	4.5	43.6	47.5	53.5	0.5
A10-1301-05L	M16×1.5 LH															



Ordering Code 订货代码	Straight Through Unions 直通式接头															
	A	B	ØD	E	ØF1	ØF2	ØG	H	I	L	ØP	Q	U	ØV	Z	Kg
A08-1302-04R	M16×1.5 RH	G 1/4"	5	108	34	34.4	24.5	17	16	92	18	4.5	35	38	41	0.3
A08-1302-05L	M16×1.5 LH															
A10-1302-04R	M16×1.5 RH	G 3/8"	9	125	43	44	24.5	17	16	109	18	4.5	43.6	47.5	53.5	0.5
A10-1302-05L	M16×1.5 LH															



Rotoflux for high speed application and dry run  
用于高速应用和干运行的罗托福斯接头

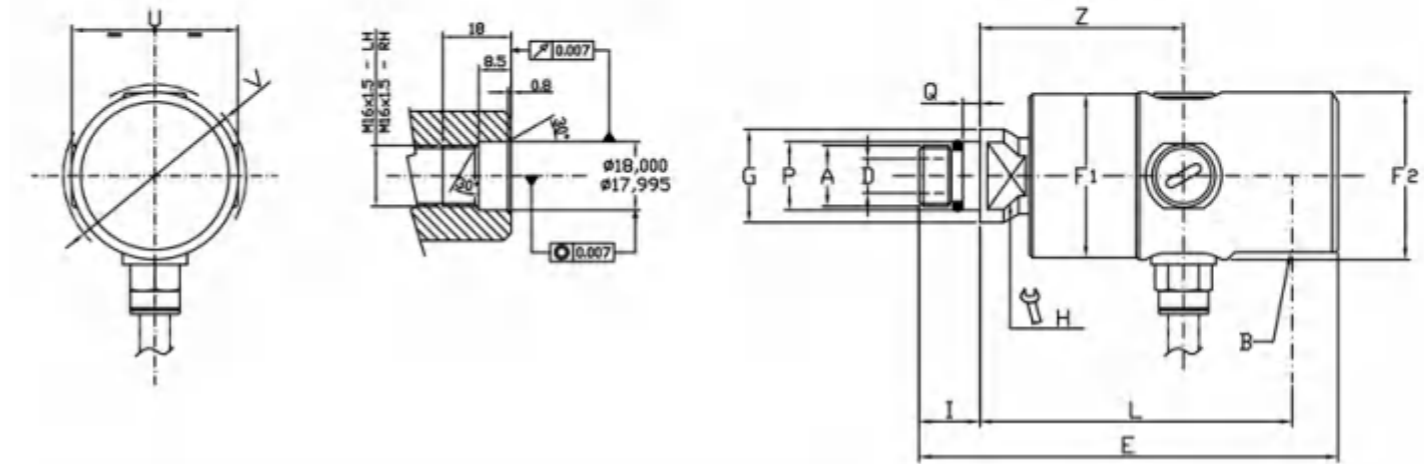
1/4" ÷ 3/8"



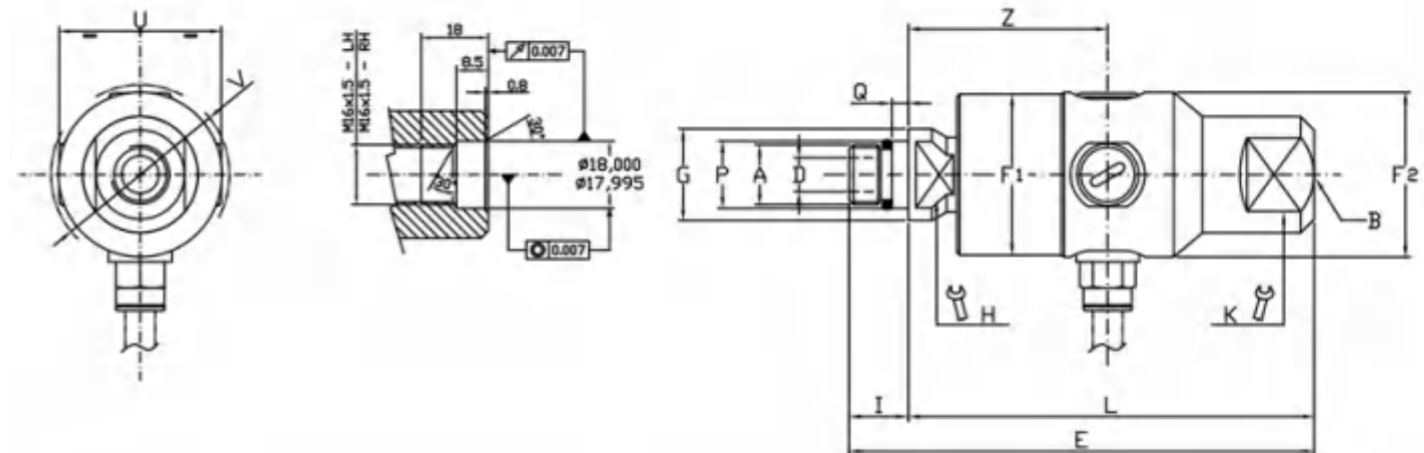
	MODEL 型号		°C °F	G/m <sup>3</sup> RPM	
Coolant 冷却液	A08	100 bar / 1.450 PSI	90°C / 195°F	15.000	60 μ (MAX 100)
	A10	40bar / 580 PSI		10.000	
Dry Run 干旋转	A08	/	/	15.000	
	A10	/	/	10.000	

The unions of the model A have been designed for machine tool spindles rotating at high speed with fluid passing through or dry when needed. The seals, balanced and microlapped, remain always closed without problems both with fluid passing through (wet run) or without fluid (dry run). Do not use the unions at max application limits without consulting ROTOFLUX.

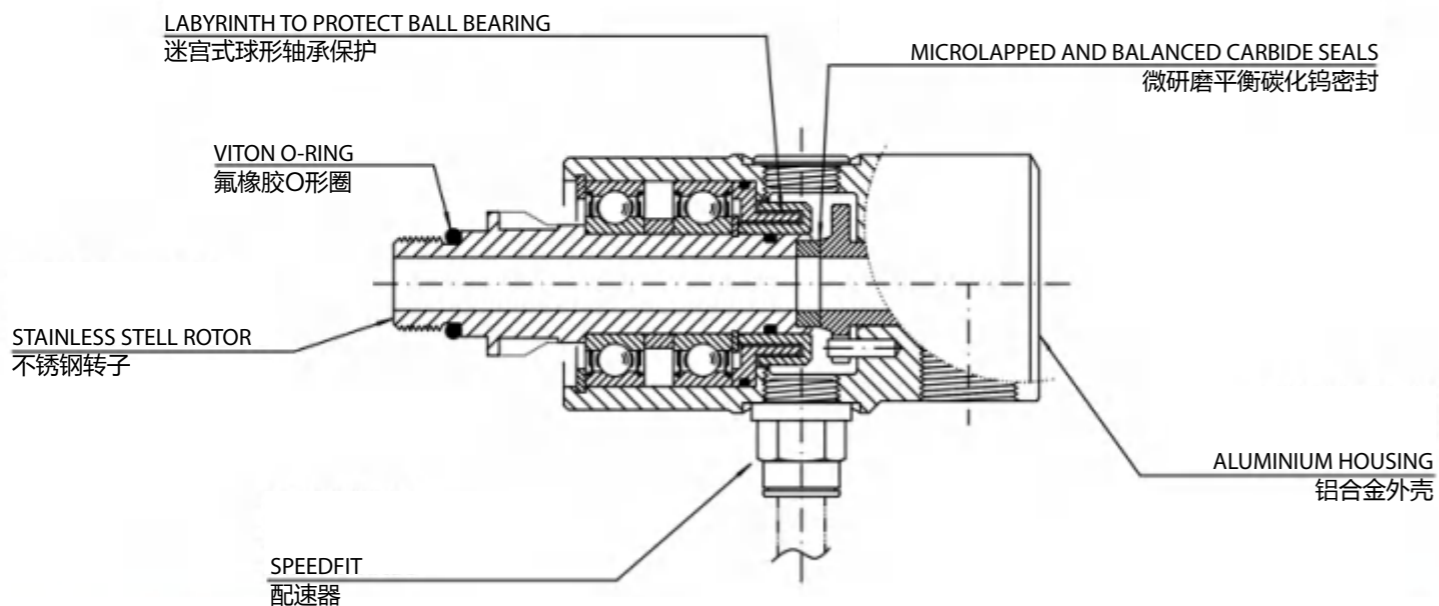
A型接头是为需要液体侵入或干运行的机床高速旋转主轴而设计的。微研磨的平衡密封可保持接头在侵入液体时（湿运行）及无液体时（干运行）都可无故障运行。  
在未咨询ROTOFLUX的情况下，请勿在最大应用限制下使用接头。



Ordering Code 订货代码	90° Unions 90度接头															
	A	B	ØD	E	ØF1	ØF2	ØG	H	I	L	ØP	Q	U	ØV	Z	Kg
A08-1501-04R	M16 × 1.5 RH	G 1/4"	5	91	34	34.4	24.5	17	16	66	18	4.5	35	38	41	0.3
A08-1501-05L	M16 × 1.5 LH															
A10-1701-04R	M16 × 1.5 RH	G 3/8"	9	110	43	44	24.5	17	16	82	18	4.5	43.6	47.5	53.5	0.5
A10-1701-05L	M16 × 1.5 LH															



Ordering Code 订货代码	Straight Through Unions 直通型接头																
	A	B	ØD	E	ØF1	ØF2	ØG	H	K	I	L	ØP	Q	U	ØV	Z	Kg
A08-1502-04R	M16 × 1.5 RH	G 1/4"	5	108	34	34.4	24.5	17	30	16	92	18	4.5	35	38	41	0.3
A08-1502-05L	M16 × 1.5 LH																
A10-1702-04R	M16 × 1.5 RH	G 3/8"	9	125	43	44	24.5	17	24	16	109	18	4.5	43.6	47.5	53.5	0.5
A10-1702-05L	M16 × 1.5 LH																



Rotoflux for high speed, coolant, air, dry run  
用于高速运行、冷却液、空气、干运行的罗托福斯接头

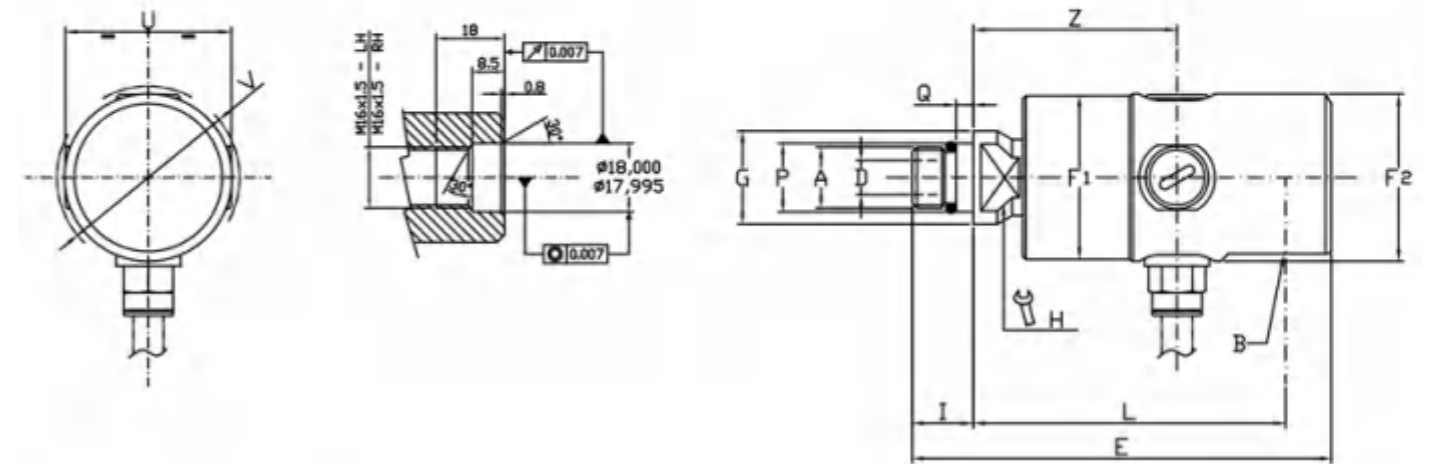
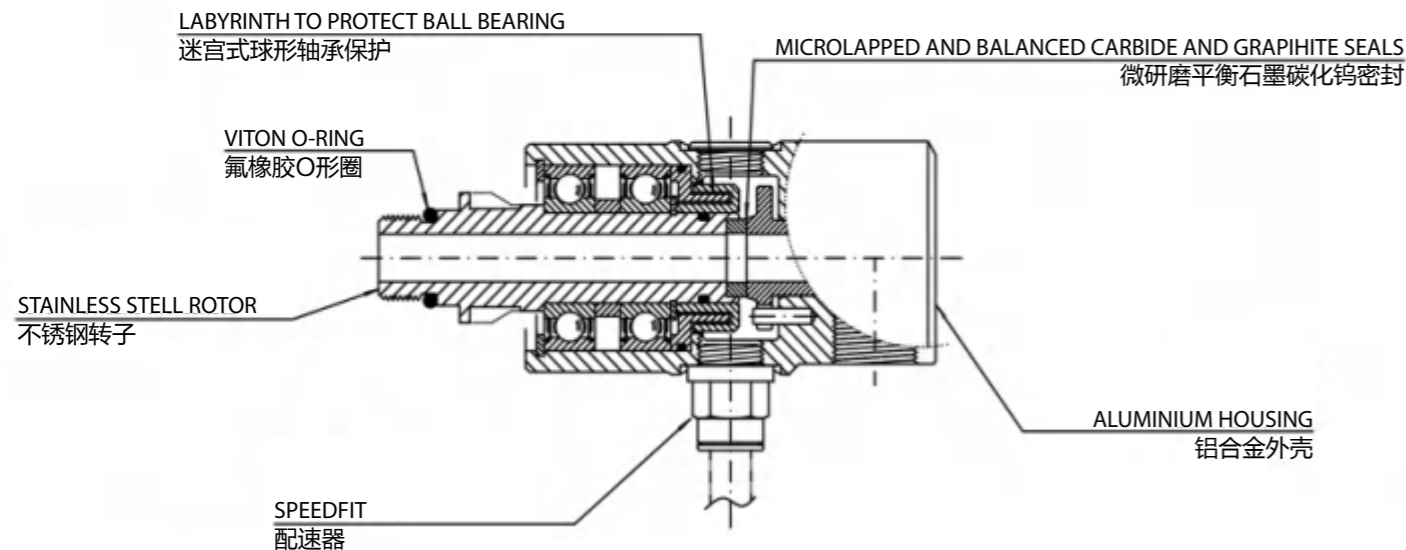
1/4" ÷ 3/8"



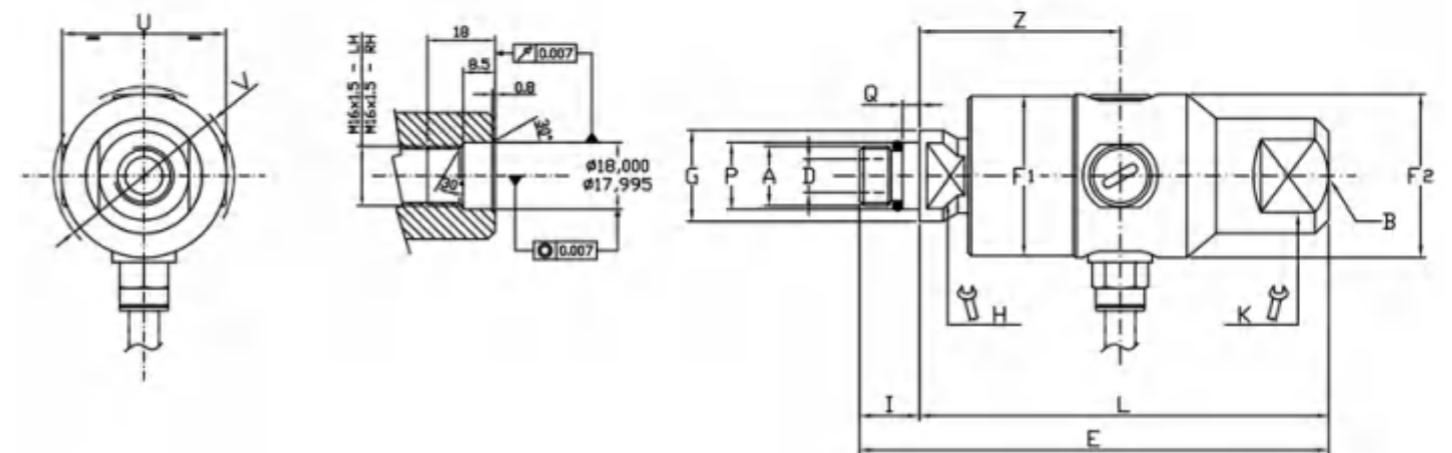
	MODEL 型号		°C / °F				
Coolant 冷却液	A08	100 bar / 1.450 PSI	90°C / 195°F	15.000	60 μ (MAX 100)		
	A10	40bar / 580 PSI		10.000			
Air 空气	A08	100 bar / 1.450 PSI		15.000			
	A10			10.000			
Dry Run 干旋转	A08	/		/		15.000	/
	A10	/		/		10.000	/

The unions of the model A have been designed for machine tool spindles rotating at high speed with fluid (coolant or air) passing through or dry when needed. The seals, balanced and microlapped, remain always closed without problems both with fluid passing through (wet run) or without fluid (dry run). Do not use the unions at max application limits without consulting ROTOFLUX.

A型转接头是为需要侵入流体(冷却液或空气冷却)或干运行的机床高速旋转主轴而设计的。微研磨的平衡密封可保持转接头在侵入液体时(湿运行)及无液体时(干运行)都可无故障运行。在未咨询ROTOFLUX的情况下,请勿在最大应用限制下使用接头。



Ordering Code 订货代码	90° Unions 90度接头															
	A	B	ØD	E	ØF1	ØF2	ØG	H	I	L	ØP	Q	U	ØV	Z	Kg
A08-1520-04R	M16×1.5 RH	G 1/4"	5	91	34	34.4	24.5	17	16	66	18	4.5	35	38	41	0.3
A08-1520-05L	M16×1.5 LH															
A10-1720-04R	M16×1.5 RH	G 3/8"	9	110	43	44	24.5	17	16	82	18	4.5	43.6	47.5	53.5	0.5
A10-1720-05L	M16×1.5 LH															



Ordering Code 订货代码	Straight Through Unions 直通型接头																
	A	B	ØD	E	ØF1	ØF2	ØG	H	K	I	L	ØP	Q	U	ØV	Z	Kg
A08-1522-04R	M16×1.5 RH	G 1/4"	5	108	34	34.4	24.5	17	30	16	92	18	4.5	35	38	41	0.3
A08-1522-05L	M16×1.5 LH																
A10-1722-04R	M16×1.5 RH	G 3/8"	9	125	43	44	24.5	17	24	16	109	18	4.5	43.6	47.5	53.5	0.5
A10-1722-05L	M16×1.5 LH																

Rotoflux for high speed application  
用于高速运行的罗托福斯接头

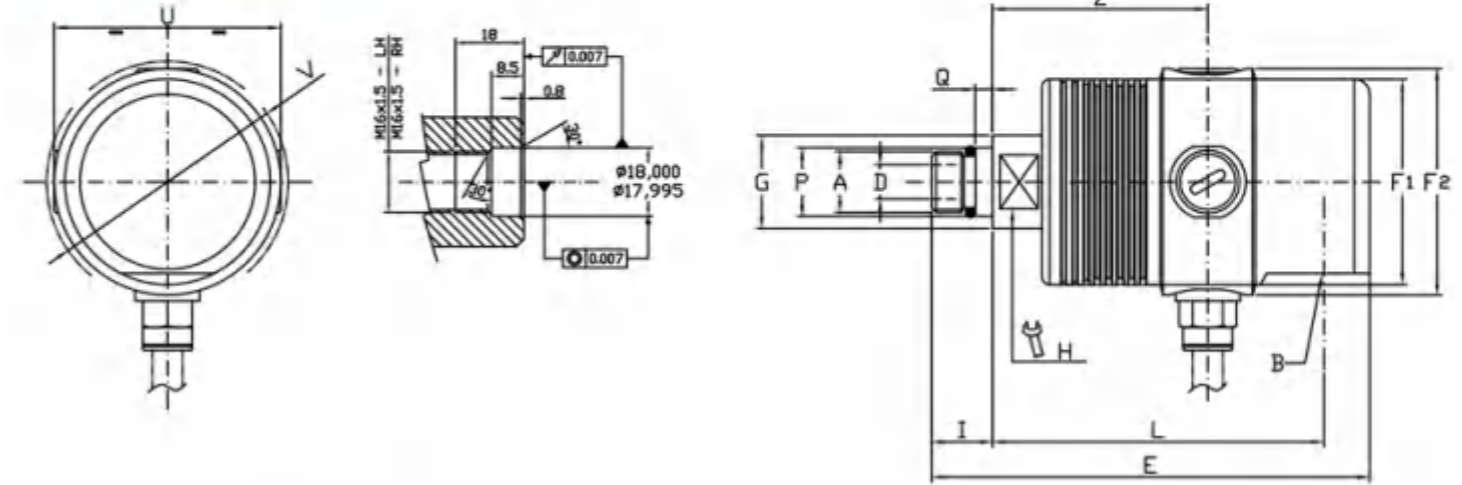
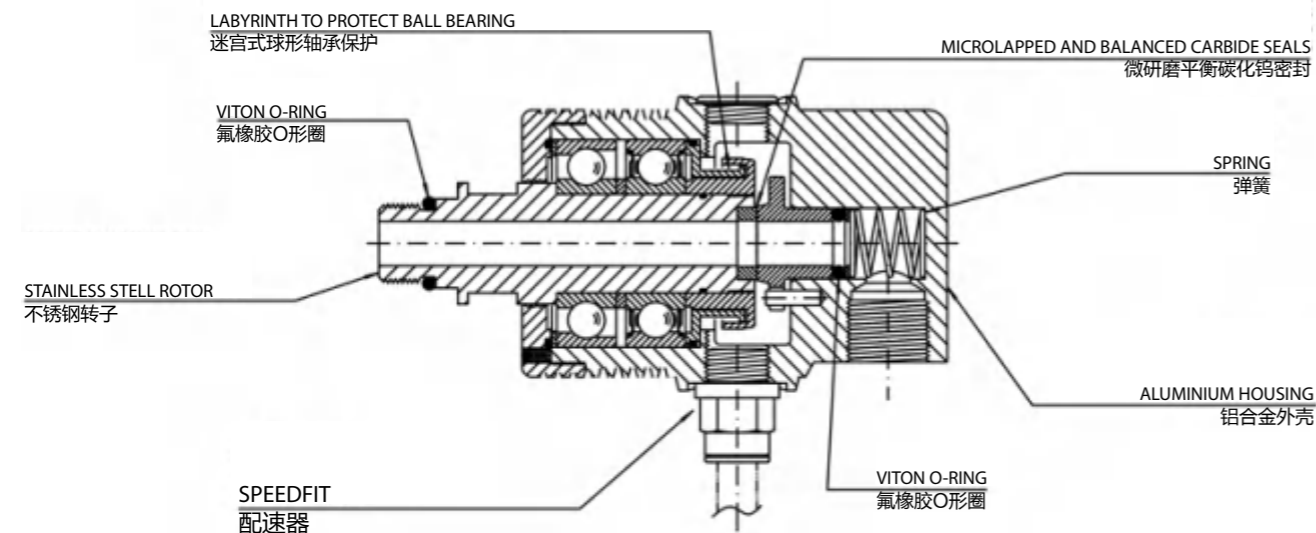
1/4" ÷ 3/8"



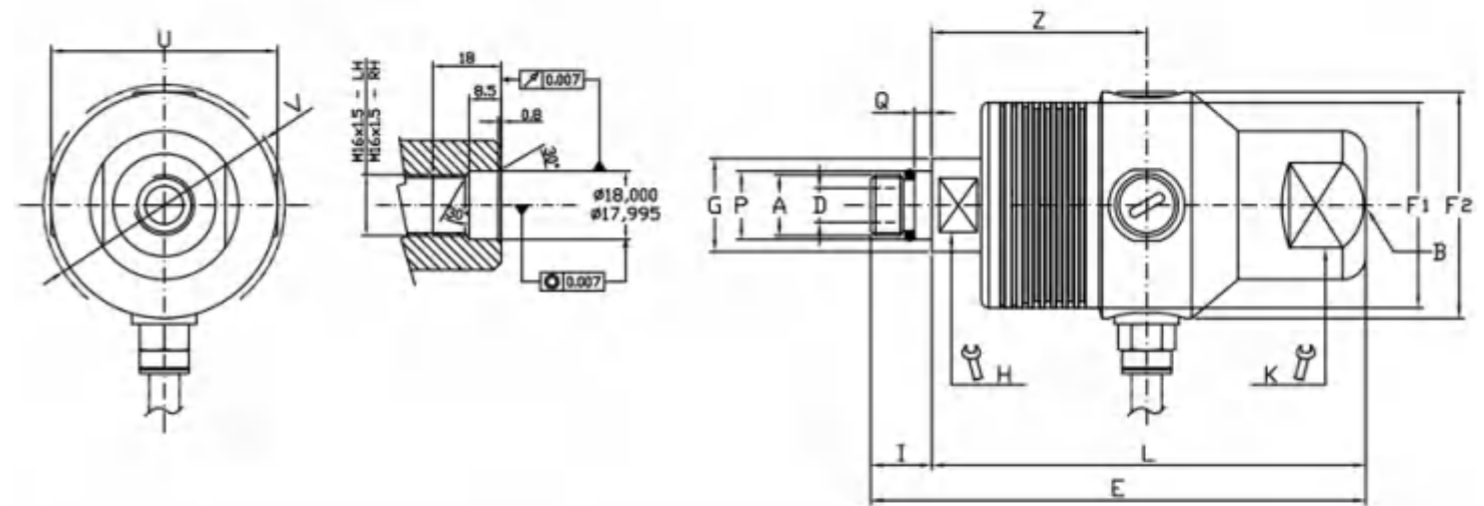
	MODEL 型号		°C / °F	G/m <sup>3</sup> RPM	
Coolant 冷却液	B08	100 bar / 1.450 PSI	90°C / 195°F	20.000	60 μ (MAX 100)
	B10	70 bar / 580 PSI		15.000	
Dry Run 干旋转	B08	/	/	NO	/
	B10	/	/	NO	/

The unions of the model B are used for the passage of coolant through the machine tool spindles rotating at high speed. Well balanced seal assemblies, in carbide, against carbide allow a low friction torque and long life even with a poor filtration of the coolant. Do not use the unions at max application limits without consulting ROTOFLUX.

B型接头用于冷却液通过高速旋转的机床主轴。碳化钨密封组件与碳化钨之间平衡良好，即使在冷却液过滤不良的情况下，也能降低摩擦扭矩，延长使用寿命。  
在未咨询ROTOFLUX的情况下，请勿在最大应用限制下使用接头。



Ordering Code 订货代码	90° Unions 90度接头															
	A	B	ØD	E	ØF1	ØF2	ØG	H	I	L	ØP	Q	U	ØV	Z	Kg
B08-1301-04R	M16×1.5 RH	G 1/4"	5	101	44	49	24.5	17	16	76	18	4.5	49	52	49	0.6
B08-1301-05L	M16×1.5 LH															
B10-1301-04R	M16×1.5 RH	G 3/8"	9	115	54	59.5	24.5	17	16	87	18	4.5	59.5	63	56.5	0.8
B10-1301-05L	M16×1.5 LH															



Ordering Code 订货代码	Straight Through Unions 直通型接头																
	A	B	ØD	E	ØF1	ØF2	ØG	H	K	I	L	ØP	Q	U	ØV	Z	Kg
B08-1302-04R	M16×1.5 RH	G 1/4"	5	116	44	49	24.5	17	24	16	100	18	4.5	49	52	49	0.6
B08-1302-05L	M16×1.5 LH																
B10-1302-04R	M16×1.5 RH	G 3/8"	9	130	54	59.5	24.5	17	32	16	114	18	4.5	59.5	63	56.5	0.8
B10-1302-05L	M16×1.5 LH																



Rotoflux for high speed application and dry run  
用于高速运行和干运行的罗拓福斯接头

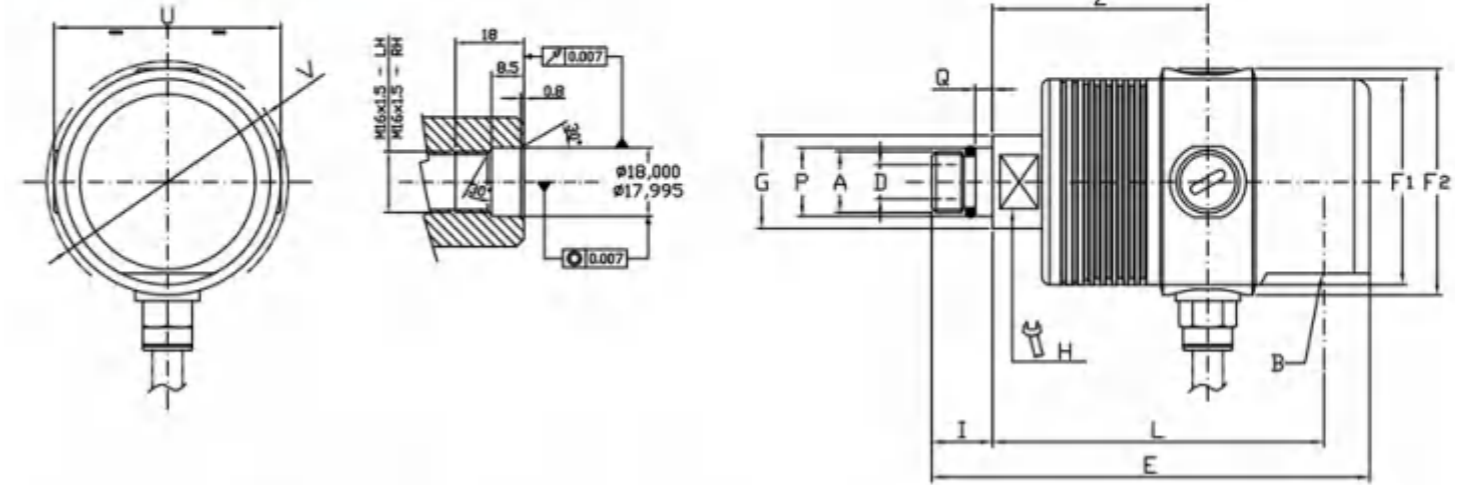
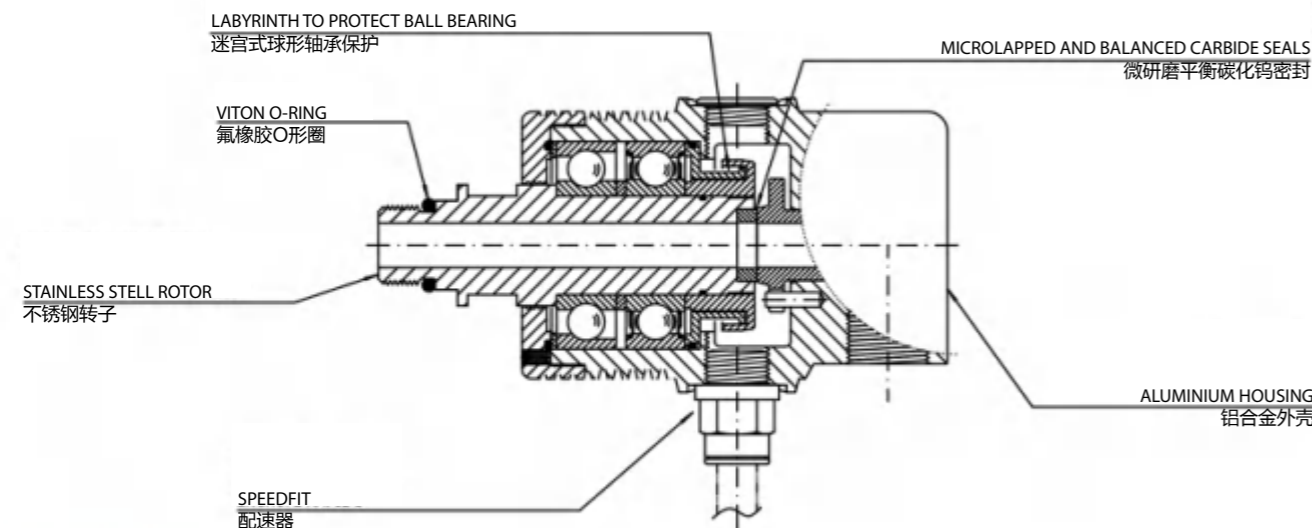
1/4" ÷ 3/8"



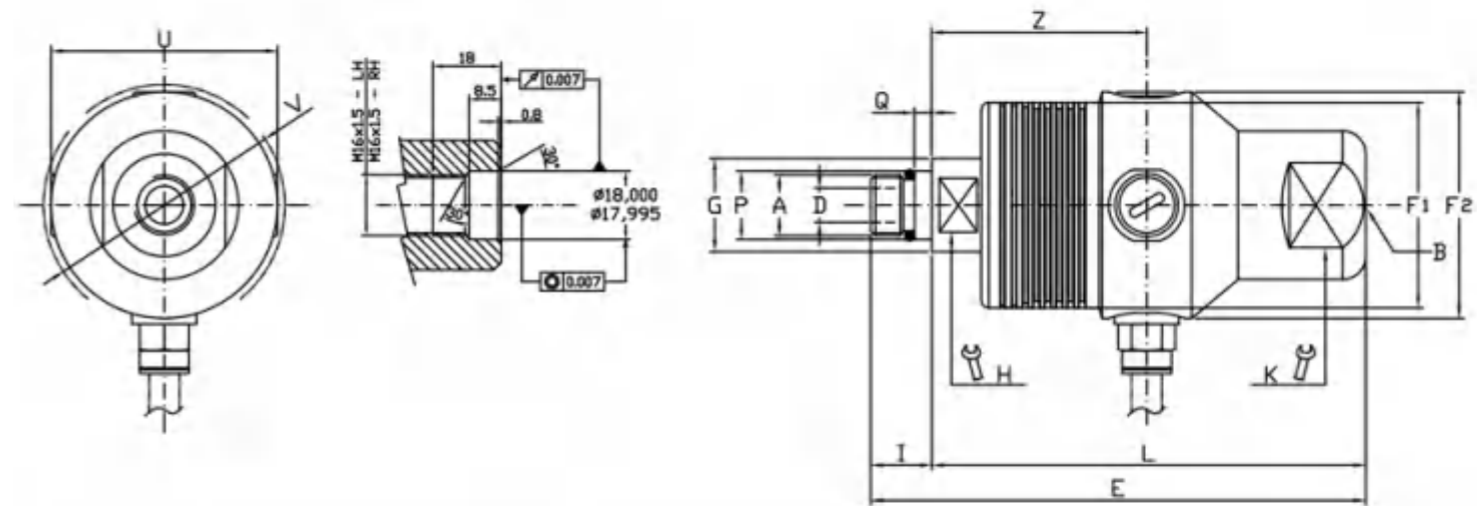
	MODEL 型号		°C / °F	G/m <sup>3</sup> RPM	
Coolant 冷却液	B08	100 bar / 1.450 PSI	90°C / 195°F	20.000	60 μ (MAX 100)
	B10	70 bar / 580 PSI		15.000	
Dry Run 干旋转	B08	/	/	20.000	/
	B10	/	/	15.000	/

The unions of the model B have been designed for machine tool spindles rotating at high speed with fluid passing through or dry when needed. The seals, balanced and microlapped, remain always closed without problems both with fluid passing through (wet run) or without fluid (dry run). Do not use the unions at max application limits without consulting ROTOFLUX.

B型转接头是为需要液体侵入或干运行的机床高速旋转主轴而设计的。微研磨的平衡密封可保持转接头在侵入液体时（湿运行）及无液体时（干运行）都可无故障运行。  
在未咨询ROTOFLUX的情况下，请勿在最大应用限制下使用接头。



Ordering Code 订货代码	90° Unions 90度接头															
	A	B	ØD	E	ØF1	ØF2	ØG	H	I	L	ØP	Q	U	ØV	Z	Kg
B08-1501-04R	M16×1.5 RH	G 1/4"	5	101	44	49	24.5	17	16	76	18	4.5	49	52	49	0.6
B08-1501-05L	M16×1.5 LH															
B10-1701-04R	M16×1.5 RH	G 3/8"	9	115	54	59.5	24.5	17	16	87	18	4.5	59.5	63	56.5	0.8
B10-1701-05L	M16×1.5 LH															



Ordering Code 订货代码	Straight Through Unions 直通型接头																
	A	B	ØD	E	ØF1	ØF2	ØG	H	K	I	L	ØP	Q	U	ØV	Z	Kg
B08-1502-04R	M16×1.5 RH	G 1/4"	5	116	44	49	24.5	17	24	16	100	18	4.5	49	52	49	0.6
B08-1502-05L	M16×1.5 LH																
B10-1702-04R	M16×1.5 RH	G 3/8"	9	130	54	59.5	24.5	17	32	16	114	18	4.5	59.5	63	56.5	0.8
B10-1702-05L	M16×1.5 LH																

■ Rotoflux for high speed, coolant, air, dry run  
用于高速运行、冷却液、空气、干运行的罗托福斯接头

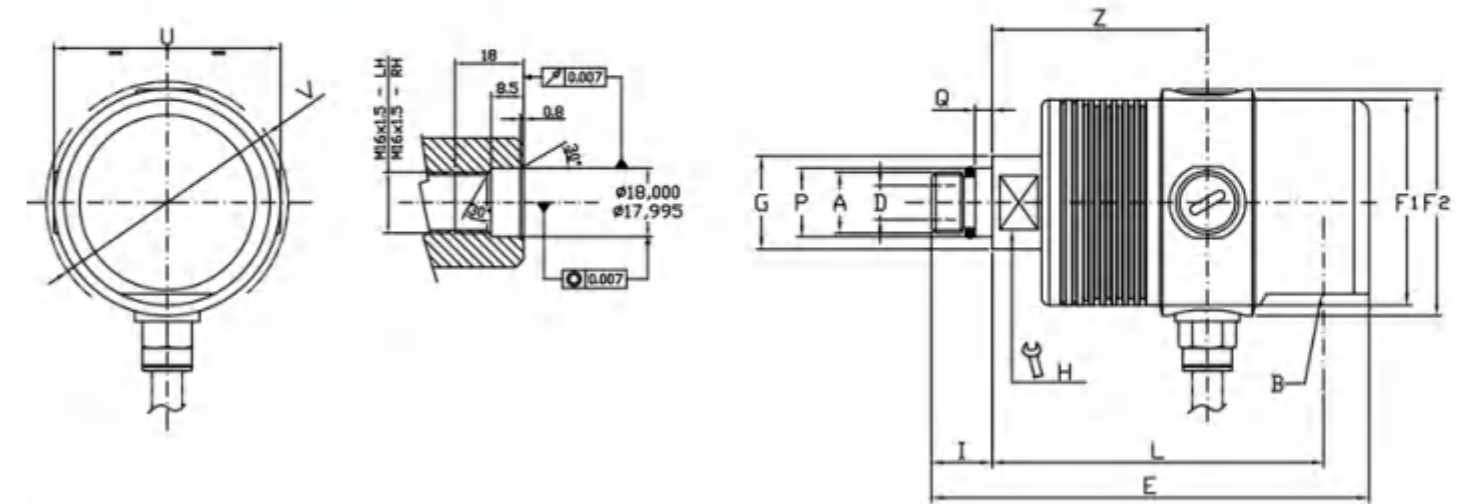
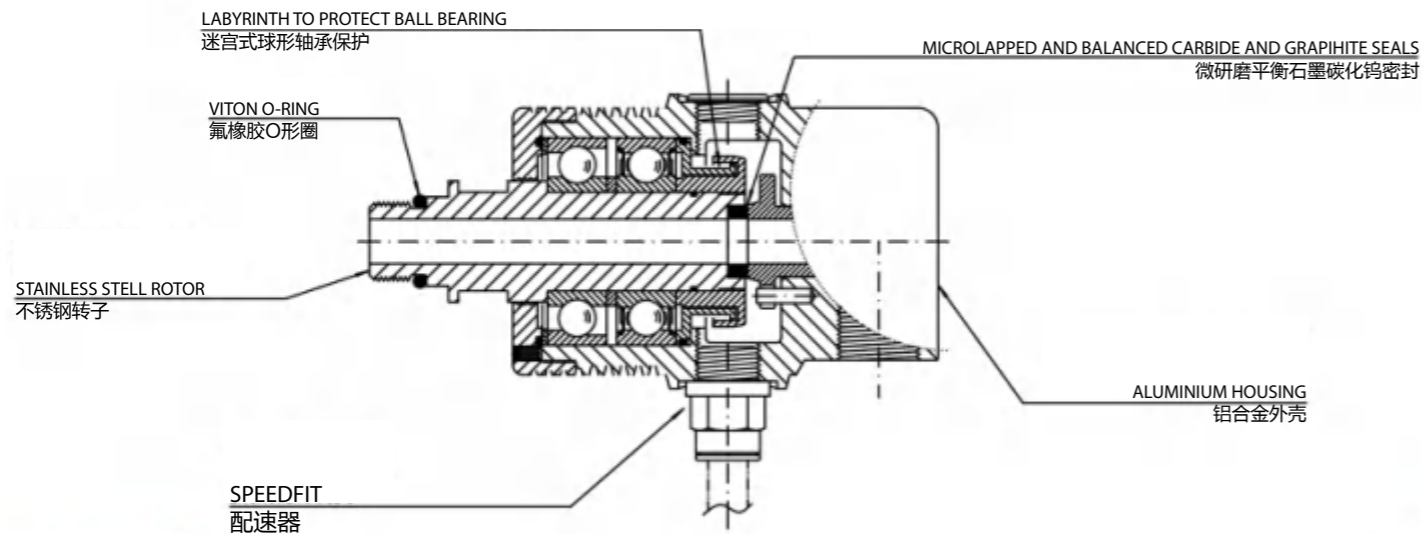
1/4" ÷ 3/8"



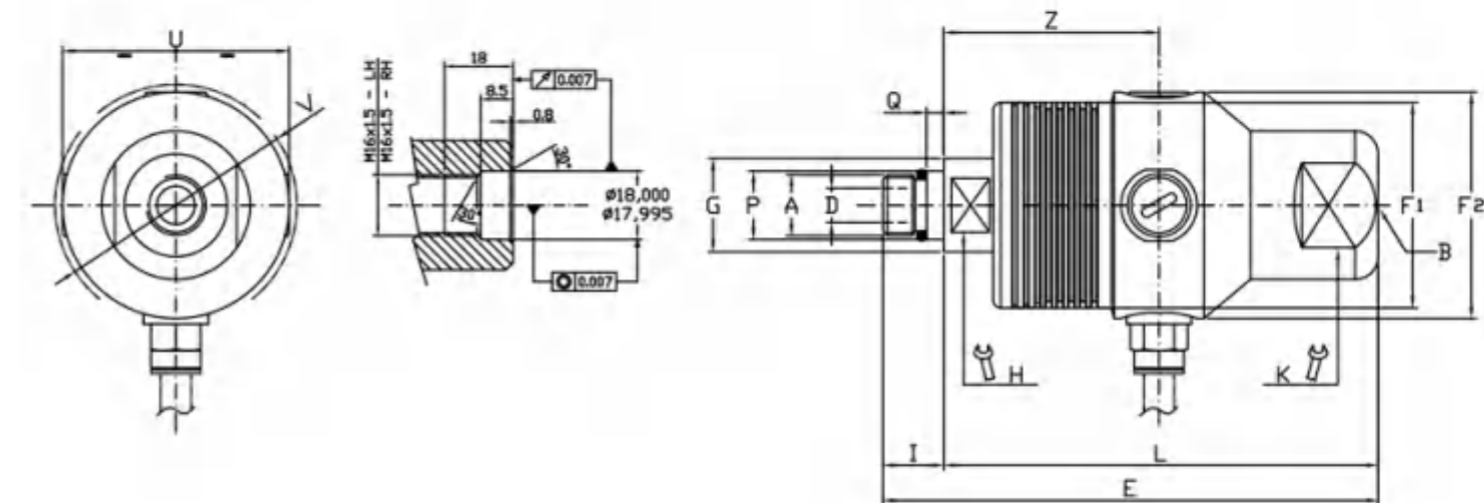
	MODEL 型号		°C / °F		
Coolant 冷却液	B08	100 bar / 1.450 PSI	90°C / 195°F	20.000	30 μ (MAX 100)
	B10	70bar / 1.015 PSI		15.000	
Air 空气	B08	10 bar / 1.450 PSI		20.000	
	B10			15.000	
Dry Run 干旋转	B08	/	/	20.000	/
	B10	/	/	15.000	/

The unions of the model B have been designed for machine tool spindles rotating at high speed with fluid (coolant or air) passing through or dry when needed. The seals, balanced and microlapped, remain always closed without problems both with fluid passing through (wet run) or without fluid (dry run). Do not use the unions at max application limits without consulting ROTOFLUX.

B型接头是为需要侵入流体(冷却液或空气冷却)或干运行的机床高速旋转主轴而设计的。微研磨的平衡密封可保持接头在侵入液体时(湿运行)及无液体时(干运行)都可无故障运行。  
在未咨询ROTOFLUX的情况下, 请勿在最大应用限制下使用接头。



Ordering Code 订货代码	90° Unions 90度接头															
	A	B	ØD	E	ØF1	ØF2	ØG	H	I	L	ØP	Q	U	ØV	Z	Kg
B08-1520-04R	M16×1.5 RH	G 1/4"	5	101	44	49	24.5	17	16	76	18	4.5	49	52	49	0.6
B08-1520-05L	M16×1.5 LH															
B10-1720-04R	M16×1.5 RH	G 3/8"	9	115	54	59.5	24.5	17	16	87	18	4.5	59.5	63	56.5	0.8
B10-1720-05L	M16×1.5 LH															



Ordering Code 订货代码	Straight Through Unions 直通型接头																
	A	B	ØD	E	ØF1	ØF2	ØG	H	K	I	L	ØP	Q	U	ØV	Z	Kg
B08-1522-04R	M16×1.5 RH	G 1/4"	5	116	44	49	24.5	17	24	16	100	18	4.5	49	52	49	0.6
B08-1522-05L	M16×1.5 LH																
B10-1722-04R	M16×1.5 RH	G 3/8"	9	130	54	59.5	24.5	17	32	16	114	18	4.5	59.5	63	56.5	0.8
B10-1722-05L	M16×1.5 LH																



**Rotoflux for high speed and dry run, machine tools applications**  
 用于高速运行、干运行、机床应用的罗拓福斯接头

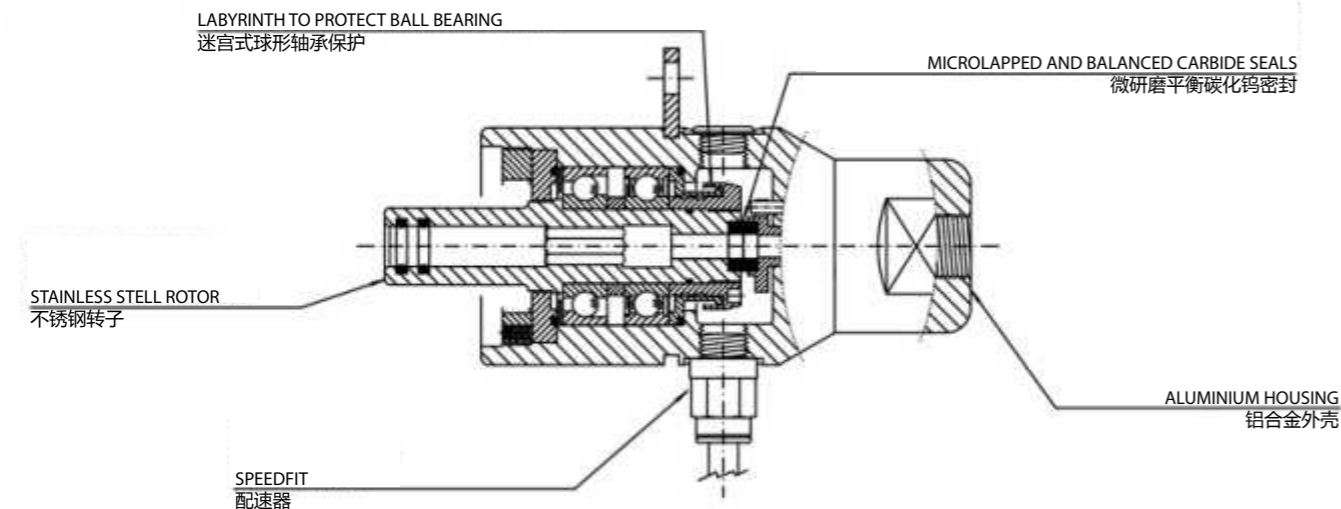


1/4"

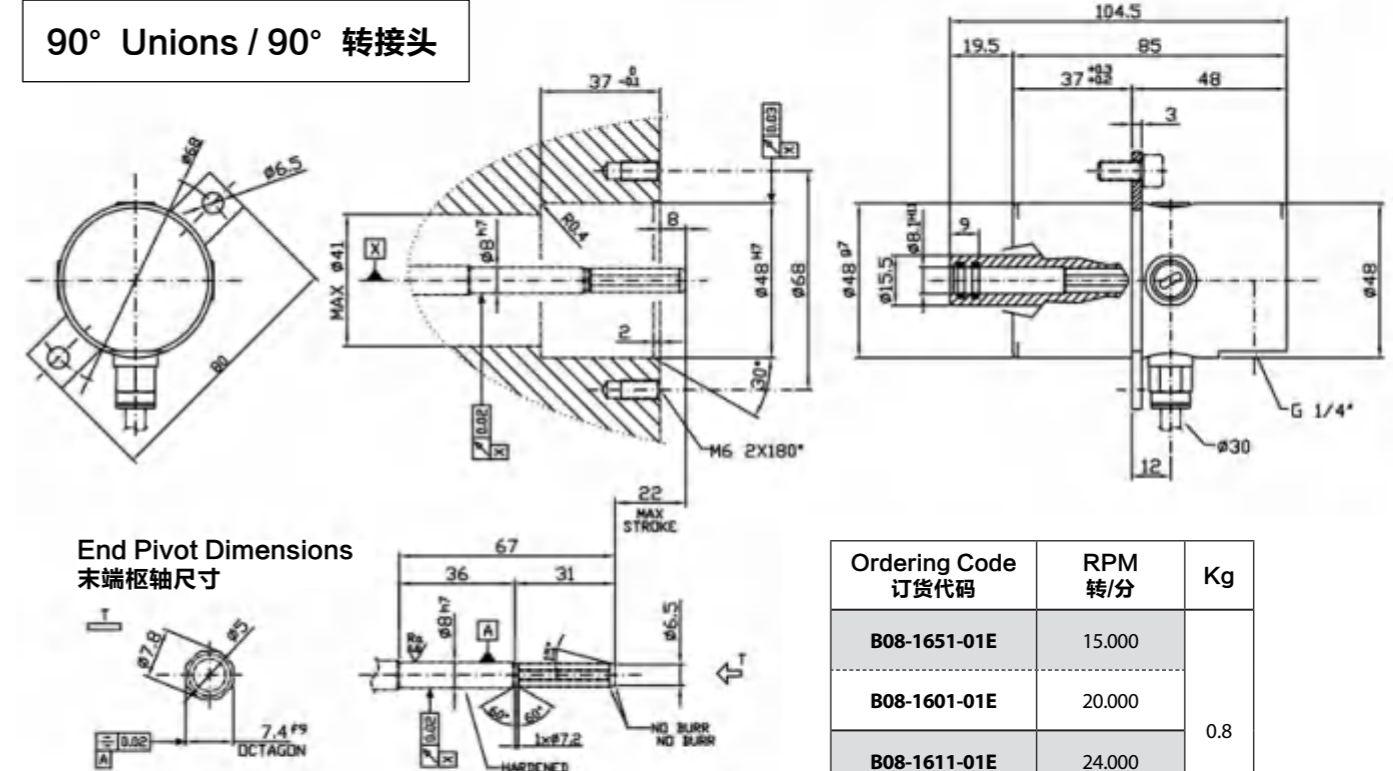
Coolant 冷却液	100 bar / 1.450 PSI	90°C / 195°F	15.000 20.000	60 μ (MAX 100)
Dry Run 干旋转	/	/	25.000 30.000	/

This ROTOFLUX unions are used to cool the spindles of the machine tools. The very special design allows to minimize the space required for their installation.

此型号转接头是用于机床主轴冷却使用的。特殊的设计使得转接头安装所需空间最小化。



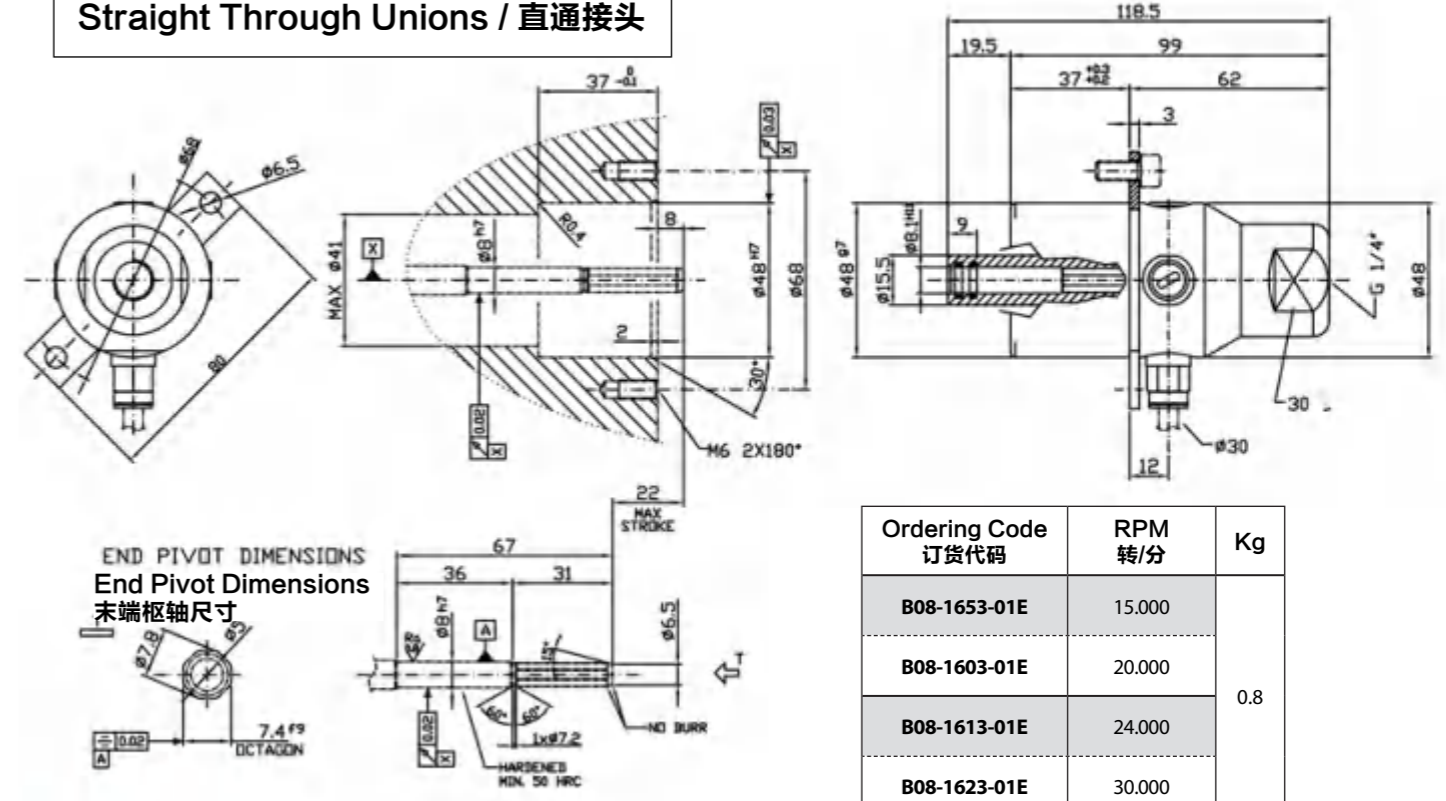
90° Unions / 90° 转接头



End Pivot Dimensions  
末端枢轴尺寸

Ordering Code 订货代码	RPM 转/分	Kg
B08-1651-01E	15.000	0.8
B08-1601-01E	20.000	
B08-1611-01E	24.000	
B08-1621-01E	30.000	

Straight Through Unions / 直通接头



END PIVOT DIMENSIONS  
End Pivot Dimensions  
末端枢轴尺寸

Ordering Code 订货代码	RPM 转/分	Kg
B08-1653-01E	15.000	0.8
B08-1603-01E	20.000	
B08-1613-01E	24.000	
B08-1623-01E	30.000	



■ Rotoflux for high speed, coolant, air, dry run, machine tools applications  
用于高速、冷却液、空气、干运行、机床应用的罗托福斯接头

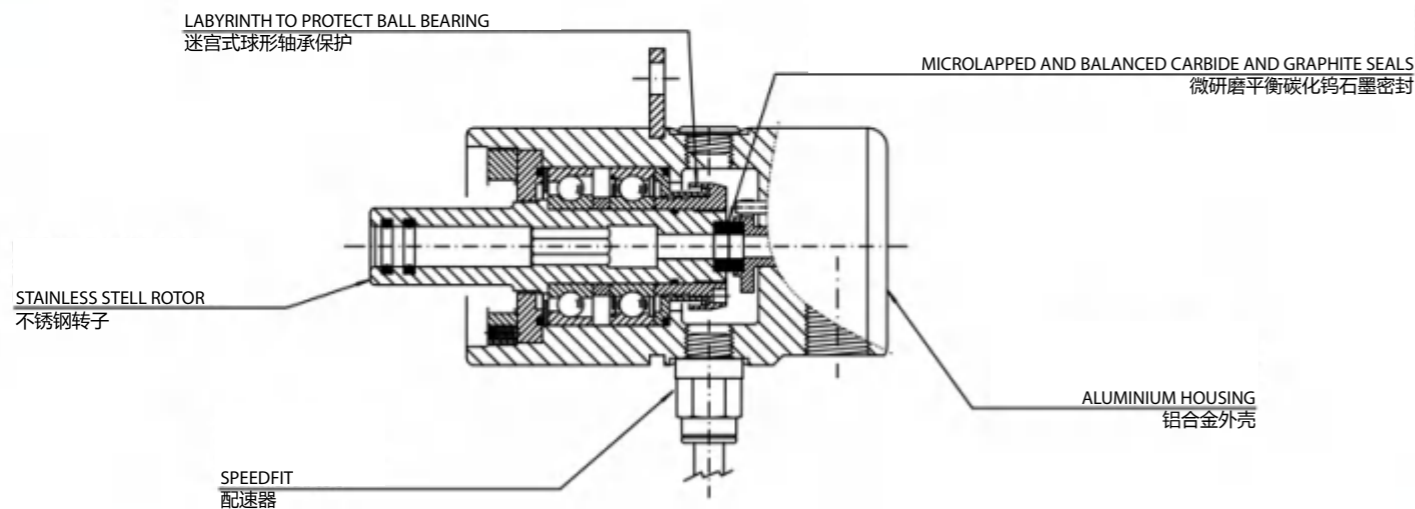
1/4"



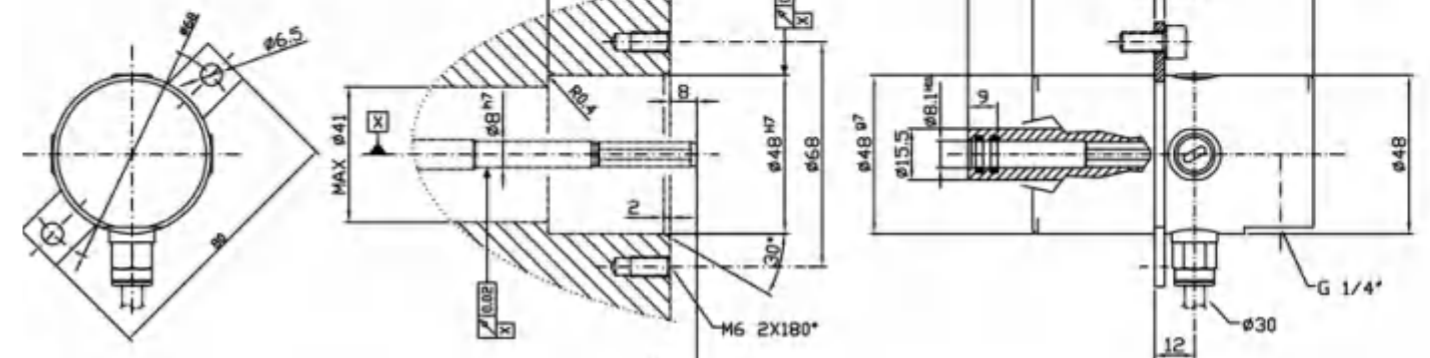
Coolant 冷却液	100 bar / 1.450 PSI	90°C / 195°F	15.000	30 μ (MAX 100)
Air 空气	10 bar / 1450 PSI	/		
Dry Run 干旋转	/	/	20.000	/
			24.000	
			30.000	

This ROTOFLUX unions are used to cool the spindles of the machine tools. The very special design allows to minimize the space required for their installation.

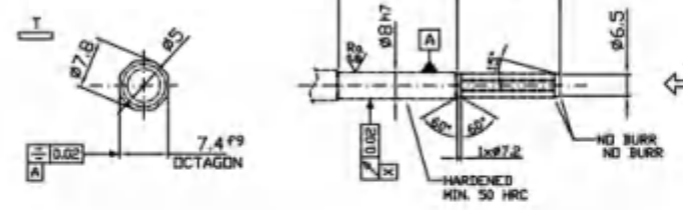
此型号转接头是用于机床主轴冷却使用的。特殊的设计使得转接头安装所需空间最小化。



90° Unions / 90° 转接头

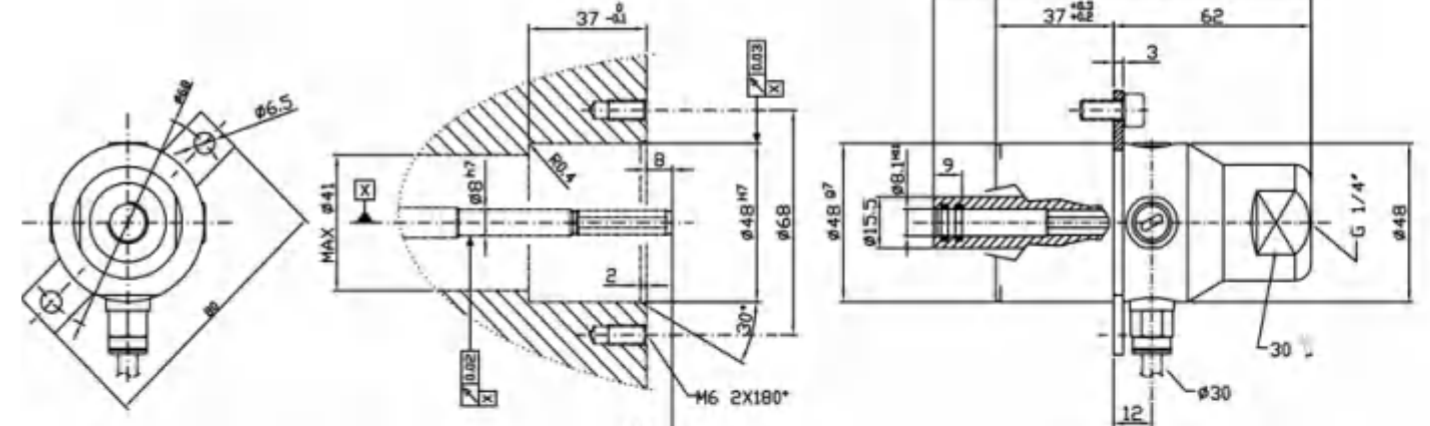


End Pivot Dimensions  
末端枢轴尺寸

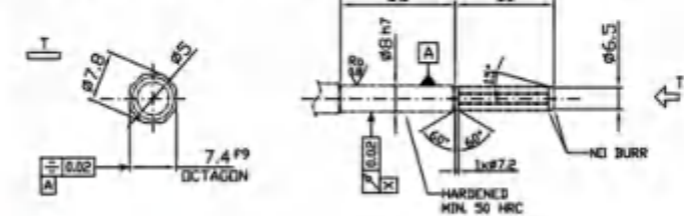


Ordering Code 订货代码	RPM 转/分	Kg
B08-1652-01E	15.000	0.8
B08-1602-01E	20.000	
B08-1612-01E	24.000	
B08-1622-01E	30.000	

Straight Through Unions / 直通接头



End Pivot Dimensions  
末端枢轴尺寸

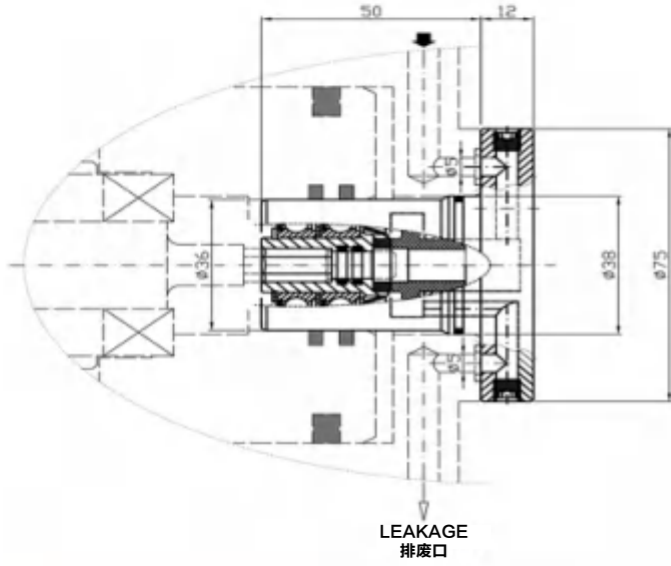


Ordering Code 订货代码	RPM 转/分	Kg
B08-1654-01E	15.000	0.8
B08-1604-01E	20.000	
B08-1614-01E	24.000	
B08-1624-01E	30.000	

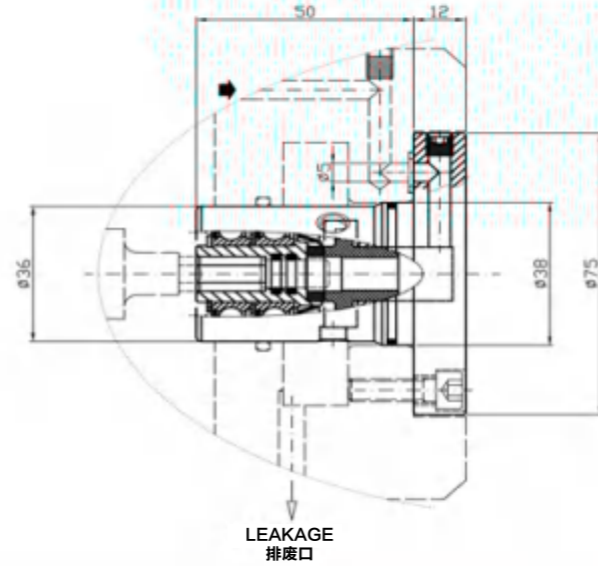
■ Rotoflux for high speed, machine tools applications  
用于高速运行、机床应用的罗拓福斯接头



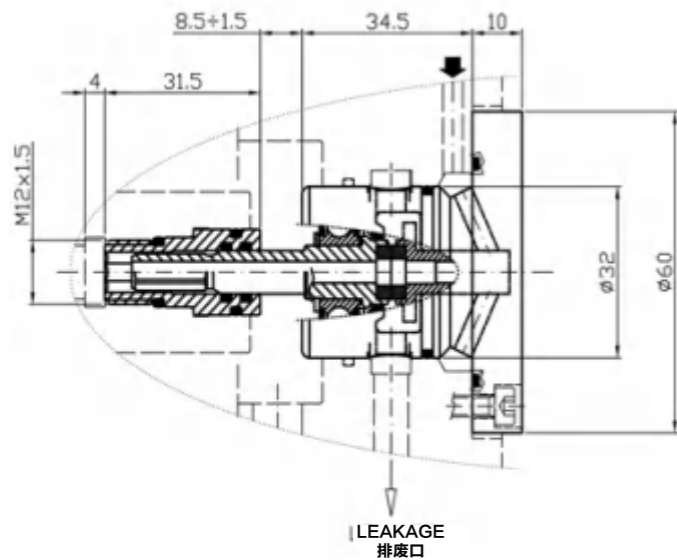
**MODEL K10/2**



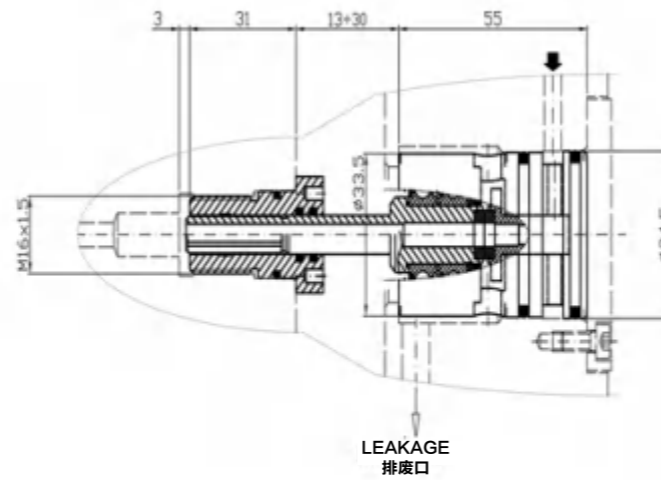
**MODEL K10/3**



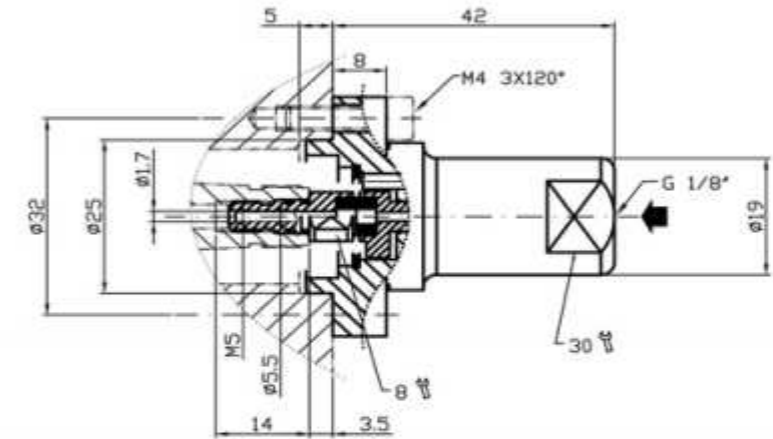
**MODEL K08**



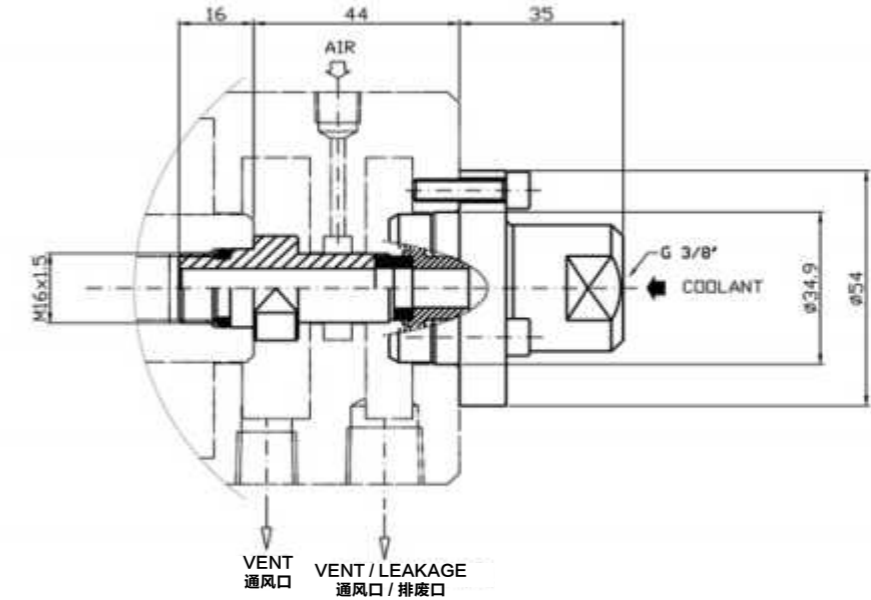
**MODEL A08**



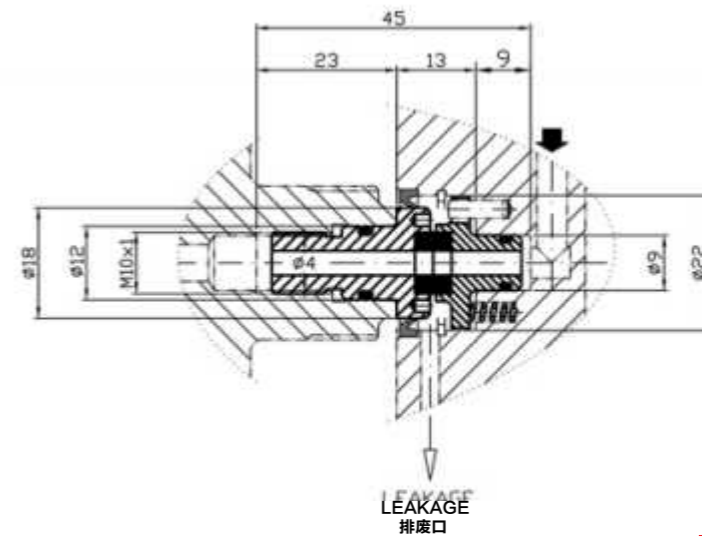
**MODEL K03**



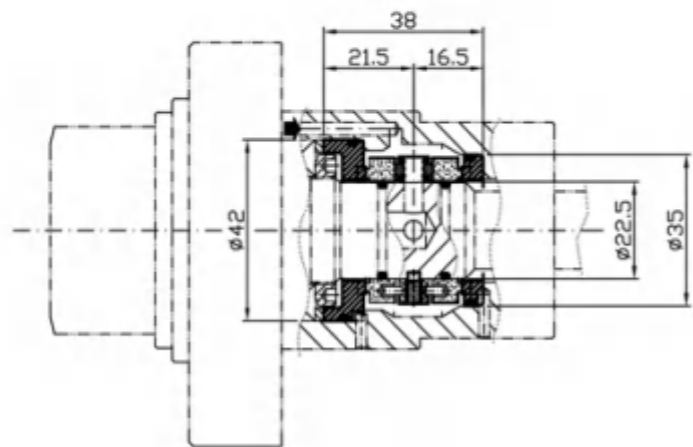
**MODEL K10**



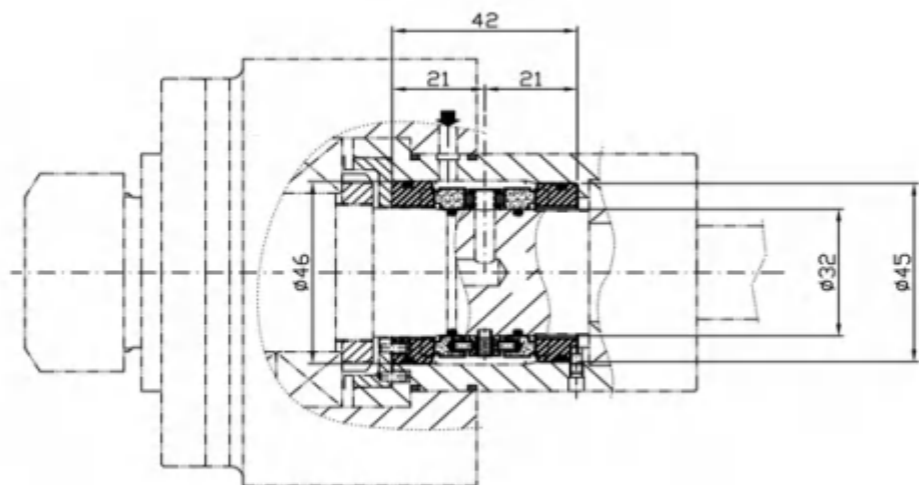
**SEAL KIT**



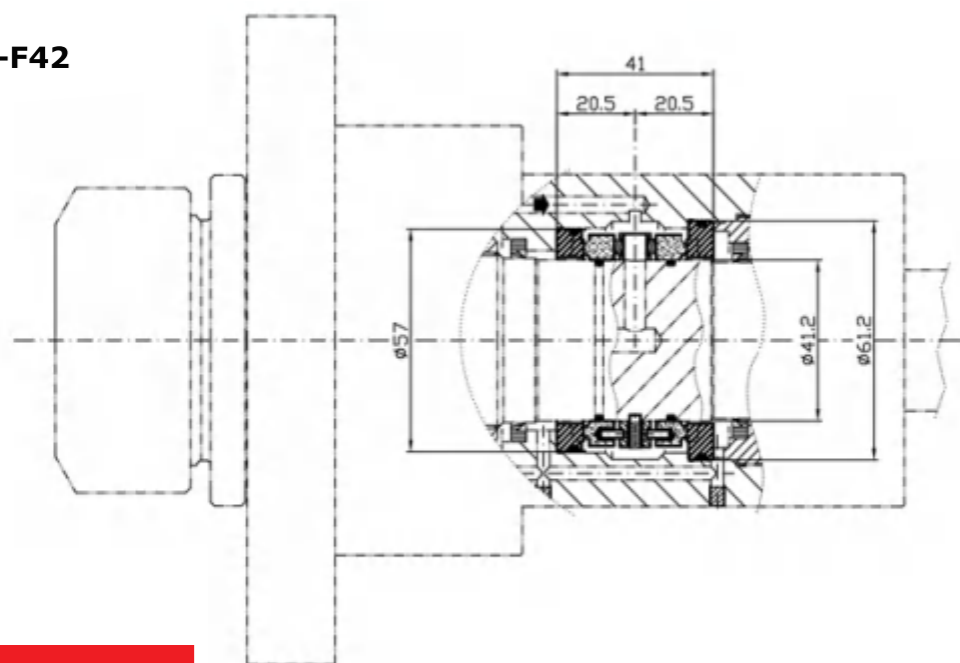
MODEL K08-F23



MODEL K08-F32



MODEL K08-F42



Rotoflux double passage for two different fluids  
用于两种不同液体的罗托福斯接头



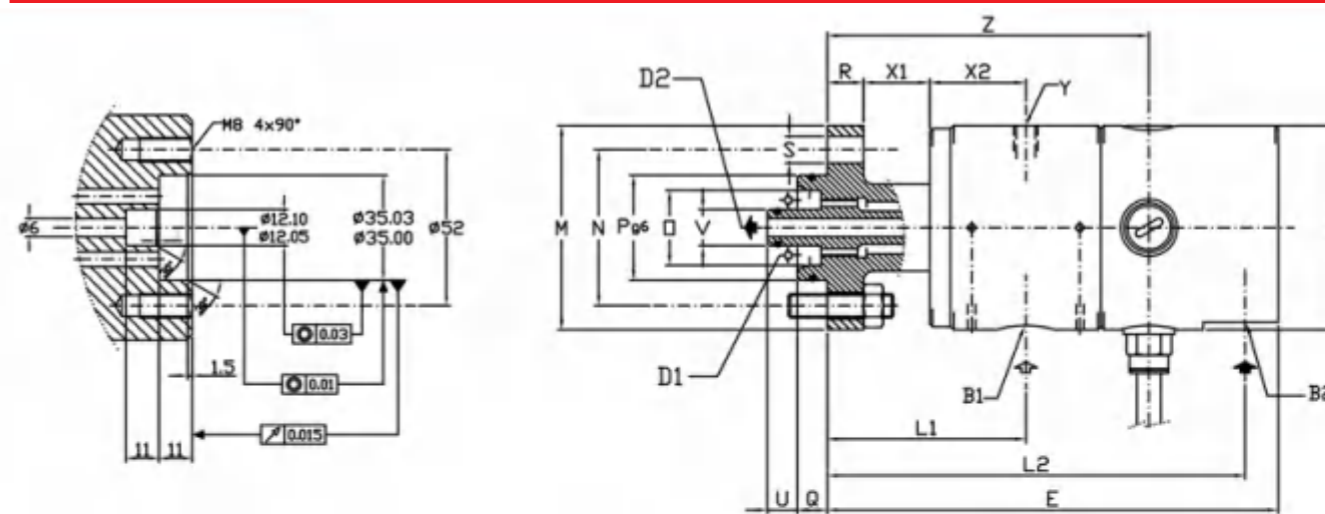
1/4"

Passage B1 通道 B1	Hydraulic Oil 液压油	70 bar / 1.015 PSI	90°C / 195°F	5.000
Passage B2 通道 B2	Coolant 冷却液	40 bar / 580 PSI		
	Dry Run 干旋转	/		

Rotoflux unions of the model D08 with two separated passages are employed in applications with two different fluids. In case of any leakage there is no possibility of contact and contamination between the two fluids.

Do not use the unions at max application limits without consulting ROTOFLUX.

拥有双通路的D08型罗托福斯接头适用于两种液体，如果发生泄漏，两种液体之间不可能接触和污染。在未咨询的罗托福斯情况下，不要在最大应用限制下使用转接头。



Ordering Code 订货代码	Double Passage for 2 Different Fluid 适用于两种液体的双通路接头														Kg						
	B1 - B2	D1	D2	E	ØF	L1	L2	ØM	ØN	ØO	ØP g6	Q	R	ØS		U	ØV	X1	X2	Y	Z
D08-105-06F	G 1/4"	40mm <sup>2</sup>	Ø6 28mm <sup>2</sup>	150	68	49	24.5	17	16	76	18	4.5	49	9 4x90°	10	12	22	32	M8	49	0.6



■ Rotoflux double passage for air, vacuum and hydraulic oil  
用于空气、真空和液压油的双通路罗托福斯接头



1/2"

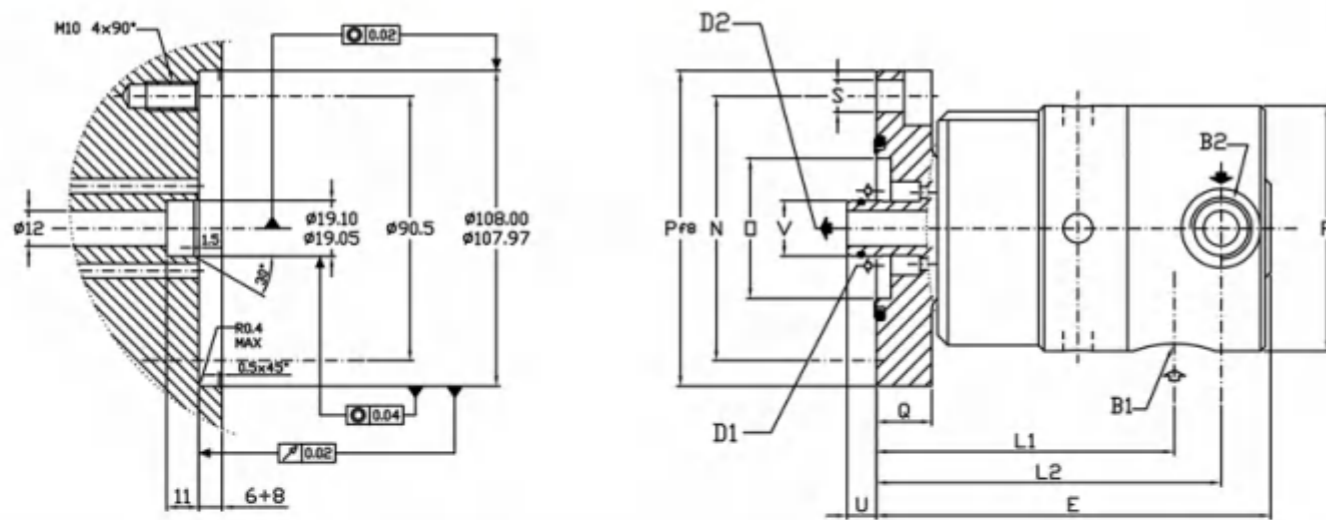
Air 空气	10 bar / 145 PSI	90°C / 195°F	1.500
Vacuum 真空	7 kpa / 2" Hg		3.500
Hydraulic Oil 液压油	10 bar / 145 PSI		

THE ROTOFLUX unions model D15 with two separate passages are used to operate clutches or rotating pistons with air or oil. The same type of fluid must be used for the two passages to avoid eventual mixture.

Do not use the unions at max application limits without consulting ROTOFLUX.

带有两个独立通路的D15型旋转活接头用于操作离合器或带有空气或油的旋转活塞。两个通路必须使用相同类型的液体，以避免最终混合。

在未咨询的罗托福斯情况下，不要在最大应用限制下使用转接头。



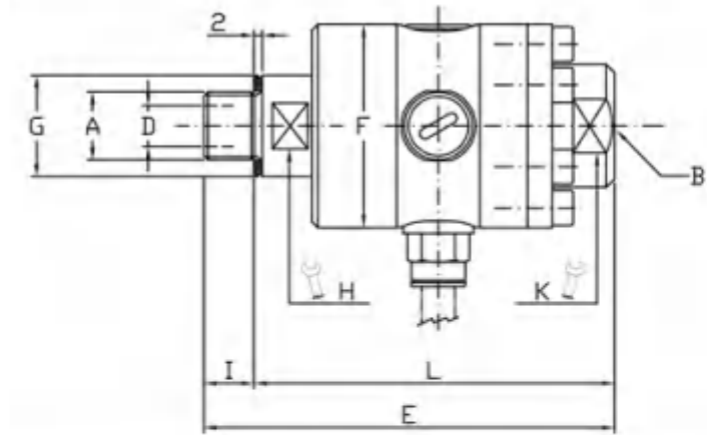
Ordering Code 订货代码	Double Passage for 2 Different Fluid 适用于两种液体的双通路接头															
	B1 - B2	D1	D2	E	ØF	L1	L2	ØN	ØO	ØP f8	Q	R	ØS	U	ØV	Kg
D15-302-03F	G 1/2"	126mm <sup>2</sup>	Ø12 113mm <sup>2</sup>	135	84	102	119	90.5	48	108	19	49	11 4x90°	10	19	3

■ Rotoflux for high pressure and high speed applications  
罗托福斯接头在高压和高速度下的应用

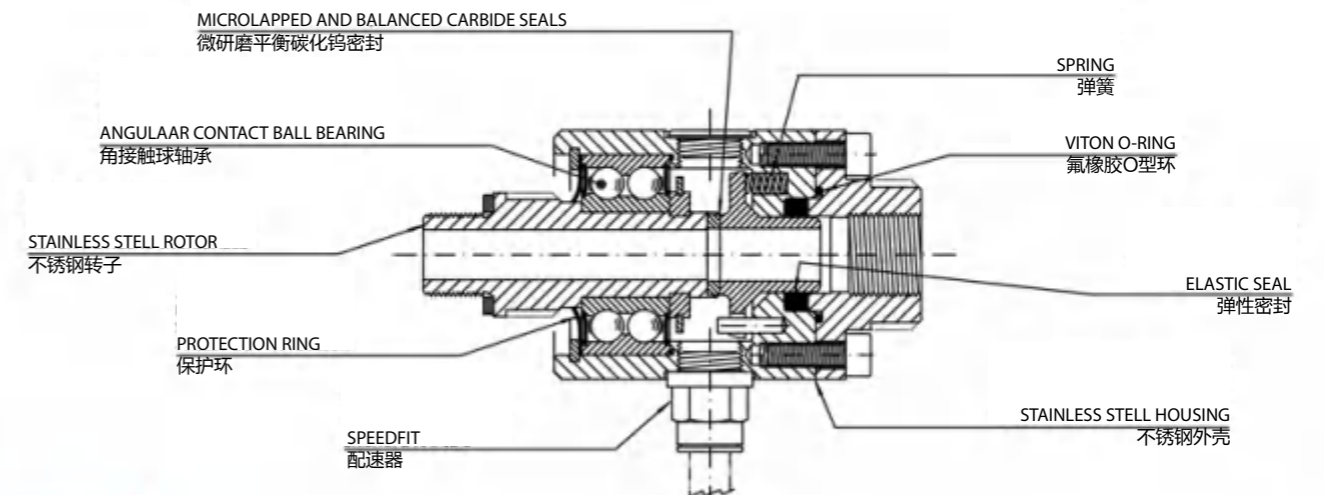


1/4" ÷ 3/4"

Water 水	1/4" ÷ 1/2" ▷ 400 bar / 5.800 PSI	90°C / 195°F	1/4" ÷ 1/2" ▷ 1.500
Hydraulic 液压油	3/4" ▷ 250 bar / 3.625 PSI		3/4" ▷ 800



Ordering Code 订货代码	90° Unions 90度接头										
	A	B	ØD	E	ØF	ØG	H	K	I	L	Kg
C08-1301-01R	G1/4" RH	G 1/4"	7	99	49.5	19.8	17	27	12	87	0.8
C10-1301-01R	G3/8" RH	G3/8"	9	99	49.5	24.5	22	27	12	87	0.8
C15-1301-01R	G1/2" RH	G1/2"	12	106	49.5	27.5	24	27	14	92	0.8
C20-1301-01R	G3/4" RH	G3/4"	18	120	74	34.5	28	68	16	104	2.3

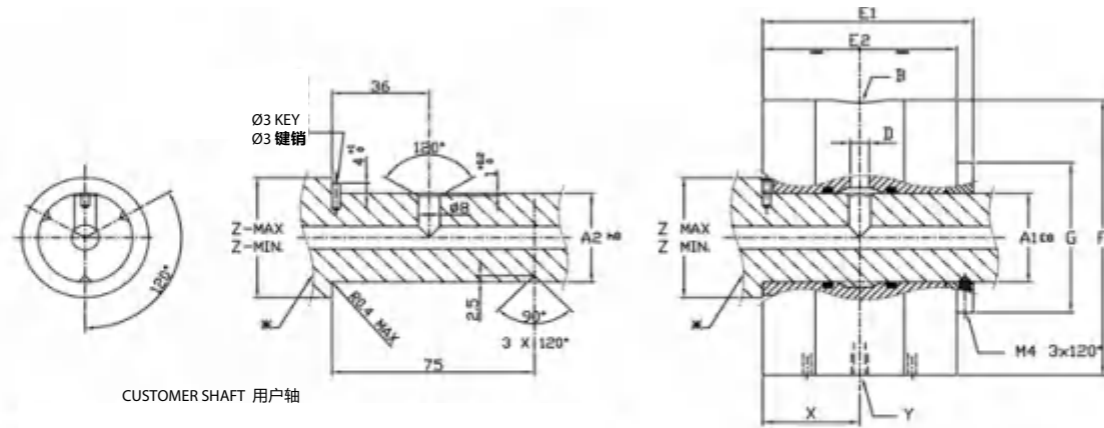


Rotoflux around the shaft union for water, air, vacuum, hydraulic oil  
用于水、空气、真空、液压油的轴接头周围的罗托福斯接头

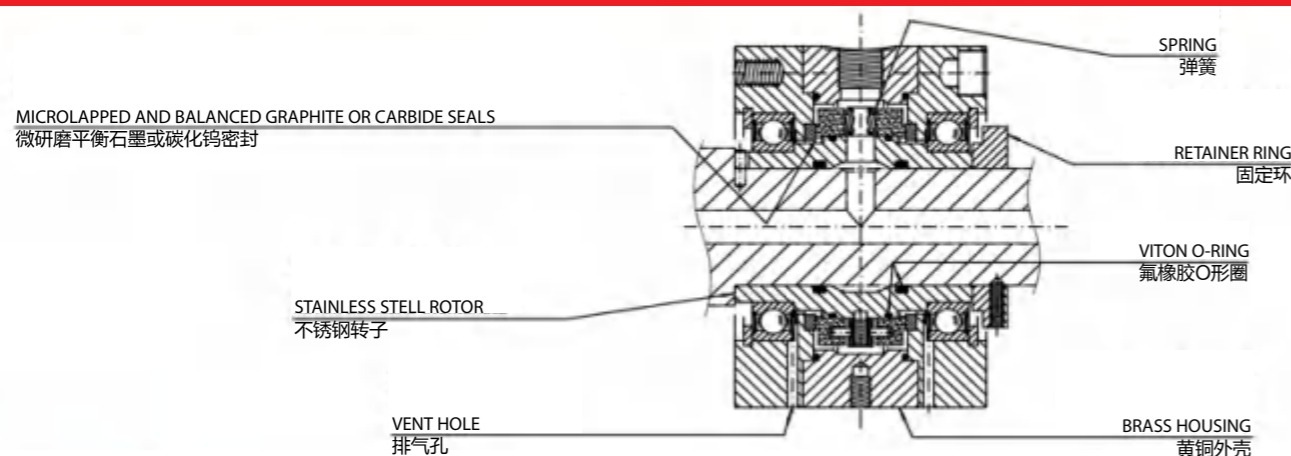


1/4"

		°C °F	
Air 空气	10 bar / 145 PSI	90°C / 195°F	750
Vacuum 真空	7 kpa / 2" Hg		
Hydraulic Oil 液压油	20 bar / 290 PSI		
Water 水			



Ordering Code 订货代码	Single Passage Union 单通路接头												Kg
	ØA1 E8	ØA2 h8	B	ØD	E1	E2	ØF	ØG	X	Y	ØZ MIN.	ØZ MAX	
R08-1302-F28	28	28	G1/4"	5	78	72	108	59	36	M6	35	55	3
R08-1302-F35	35	35	G1/4"	5	78	72	108	59	36	M6	42	55	3
R08-1302-F40	40	40	G1/4"	5	78	72	108	59	36	M6	47	55	3



Rotoflux for high pressure and low speed, single and double passage  
用于高压和低速的单、双通路罗托福斯接头

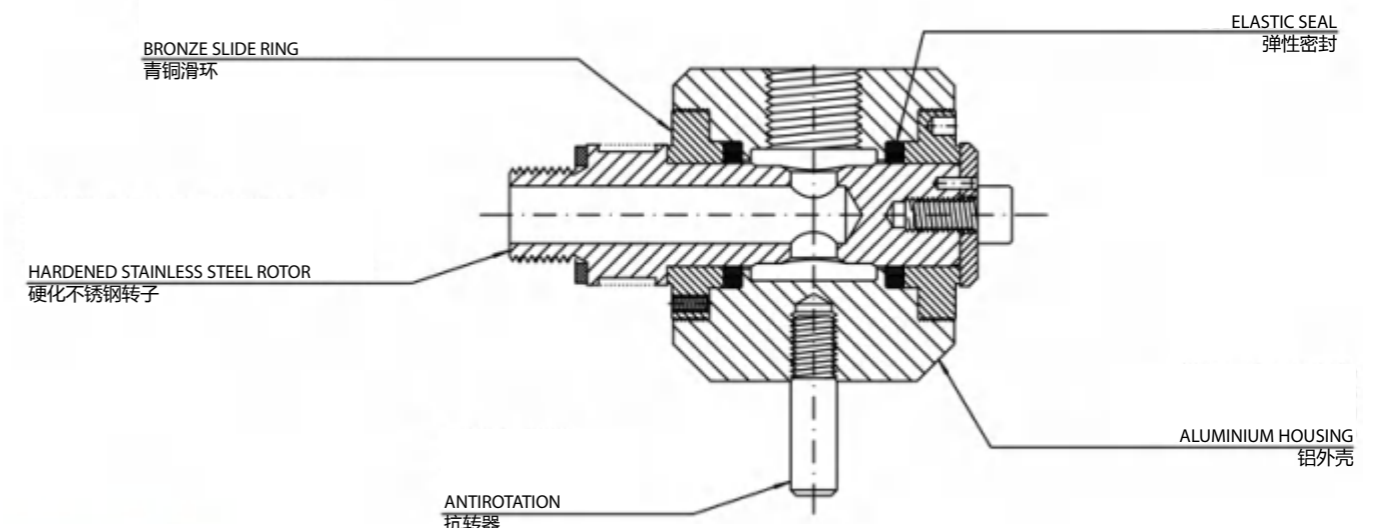


1/4" - 3/4"

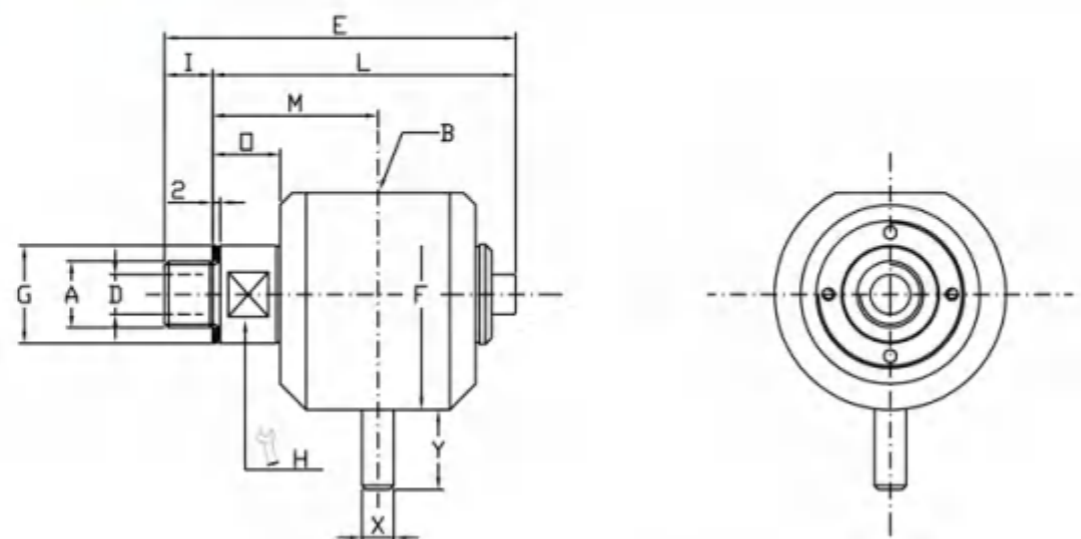
		°C °F	
Air 空气	10 bar / 145 PSI	90°C / 195°F	300
Hydraulic Oil 液压油	300 bar / 4.350 PSI		60 bar / 870 PSI > 300 300 bar / 4.350 PSI > 20

The ROTOFLUX unions model M, thanks to the special design of the seals and the ground, hardened and lapped, surface of the rotor, may operate with low friction and wear, at low rotation speed with high fluid pressure, even for long time. Also they may remain inactive for long periods without seizing. An antirotation pin provide to prevent the rotation; stop it with a slack slot. Avoid to operate the union under pressure surges, and at the max suggested operating limits, without consulting ROTOFLUX's customer service.

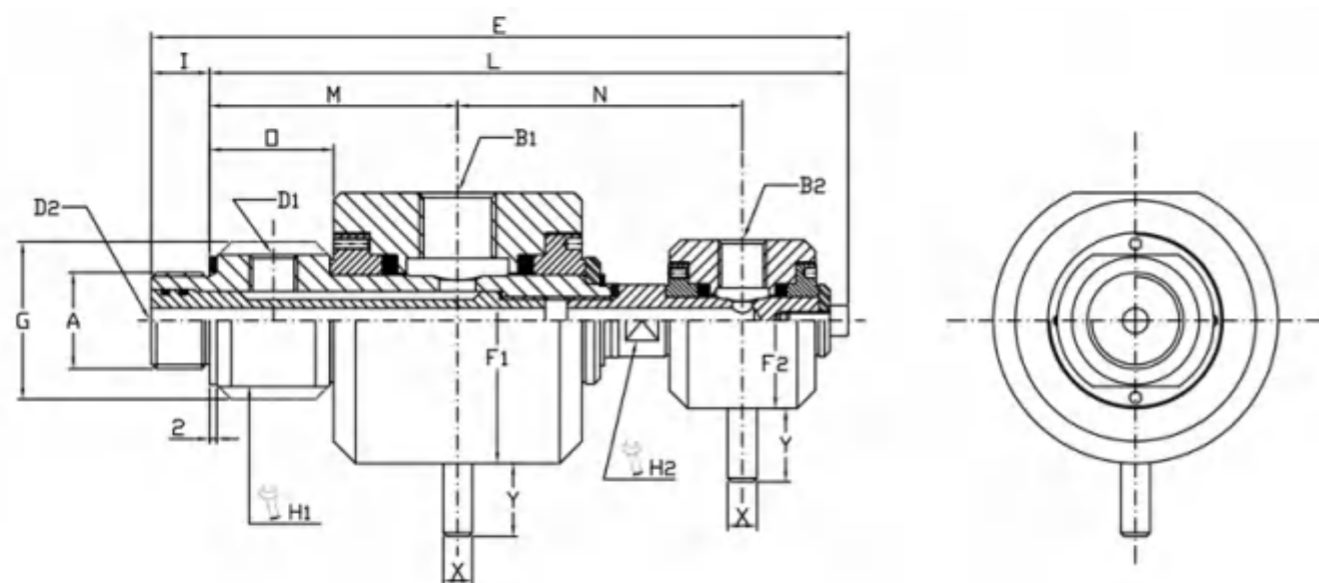
得益于转子表面经过硬化和研磨处理的密封件和整体的特殊设计，M型旋转式活接头可以在低摩擦和磨损、低转速和高流体压力下运行，甚至可以长时间运行。同时它可以保持长时间不活动而不卡住。提供了一个防转销以防止旋转；用一个松弛的槽将其停止。在未咨询ROTOFLUX客户服务的情况下，避免在压力激增情况下，以建议的最大工作极限运行罗托福斯接头。







Ordering Code 订货代码	Single passage Unions 单通路接头													
	A	B	ØD	E	ØF	ØG	H	I	L	M	O	X	Y	Kg
M108-1000-01R	G1/4" RH	G1/4"	7	77	48	19.5	17	12	65	36	16	8	20	0.4
M110-1000-01R	G3/8" RH	G3/8"	10	88	58	24.5	22	12	76	41.5	17	8	20	0.5
M115-1000-01R	G1/2" RH	G1/2"	12	88	58	27.5	24	14	74	39.5	15	8	20	0.5
M120-1000-01R	G3/4" RH	G3/4"	17.5	119	78	34.5	28	16	103	56	22	8	20	1.3



Ordering Code 订货代码	Double Passage Unions 双通路接头																		
	A	B1	B2	D1	ØD2	E	ØF1	ØF2	ØG	H1	H2	I	L	M	N	O	X	Y	Kg
M120-1002-11R	G3/4" RH	G1/2"	G1/4"	G1/4"	7	191	78	48	43	38	17	16	175	68	78	34	8	20	1.3

■ Rotoflux double passage for high pressure and low speed  
用于高压和低速的双通路罗托福斯接头



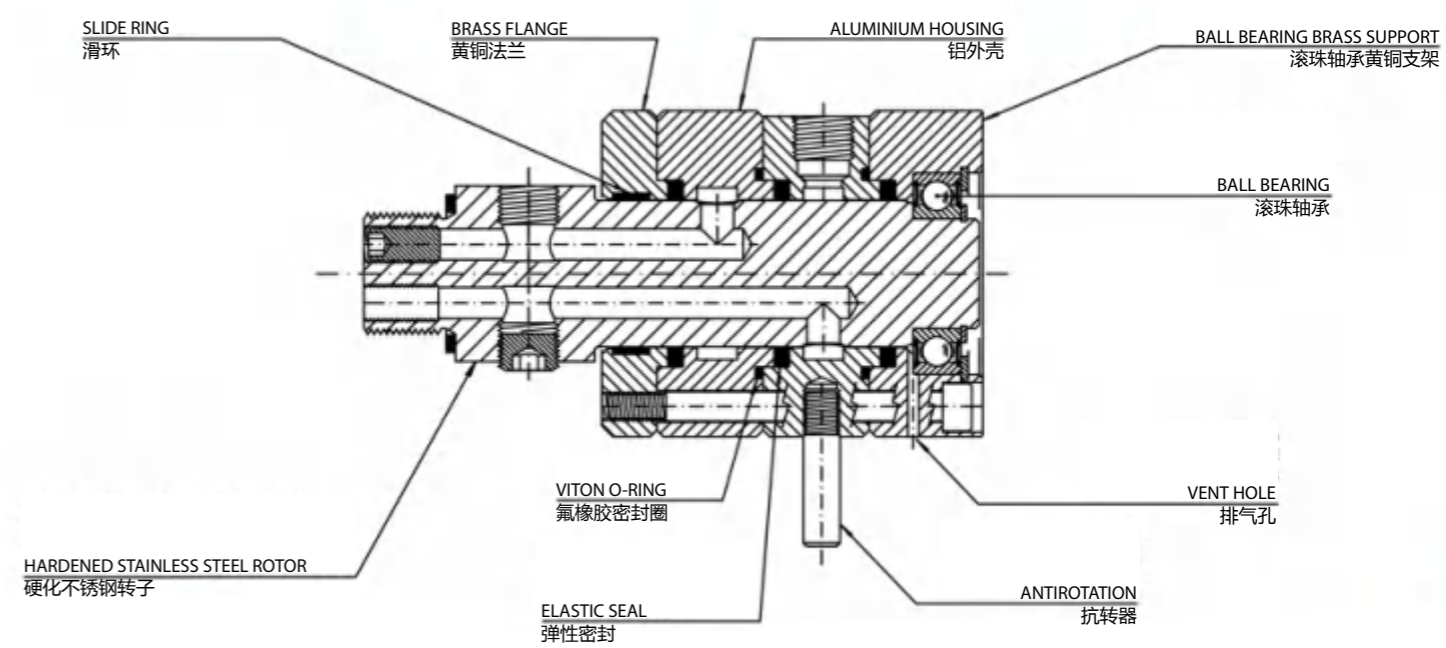
3/8" - 3/4"

		°C °F	
Air 空气	10 bar / 145 PSI	90°C / 195°F	250
Hydraulic Oil 液压油	250 bar / 3.625 PSI		50 bar / 725 PSI > 250 250 bar / 3.625 PSI > 15

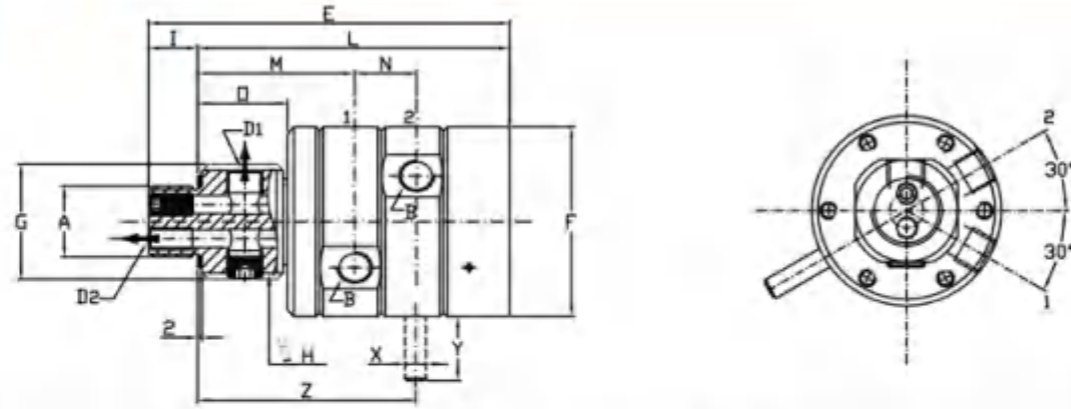
The ROTOFLUX unions model M, thanks to the special design of the seals and the surface of the rotor, ground hardened and lapped, may operate at high fluid pressure and low rotation speed with low friction and wear, for long time. Also they may remain inactive for long periods without seizing. An antirotation pin is provided to prevent the rotation; stop it with a slack slot. To avoid contamination in case of leaks, it is necessary that one only type of fluid flows in both passages. Avoid to operate the union under pressure surges, and, at the max suggested operating limits, without consulting the ROTOFLUX customer service.

Special version for clean water available.

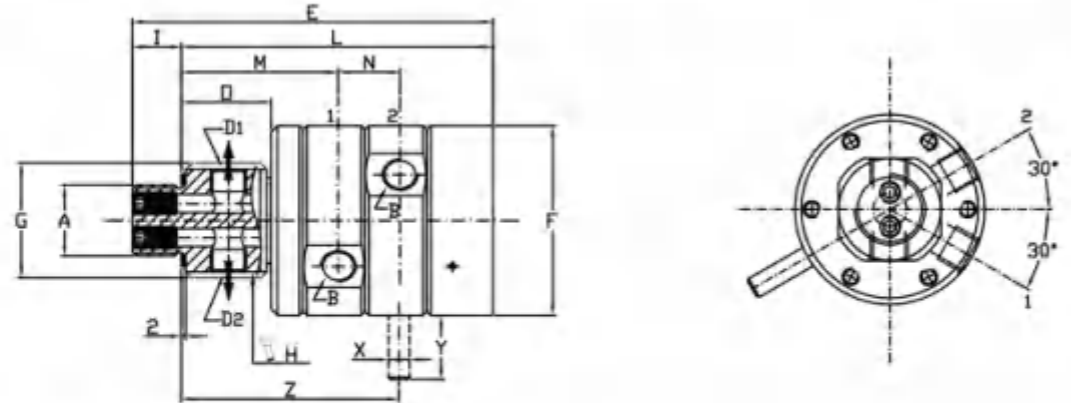
得益于转子表面经过硬化和研磨处理的密封件和整体的特殊设计，M型旋转式活接头可以在低摩擦和磨损、低转速和高流体压力下运行很长时间。同时它可以保持长时间不活动而不卡住。提供了一个防转销以防止旋转；用一个松弛的槽将其停止。为了避免泄漏时的污染，必须在两个通路中只流动一种流体。在未咨询ROTOFLUX客户服务的条件下，避免在压力激增情况下，以建议的最大工作极限运行罗托福斯接头。可提供用于清洁水体的特殊型号。



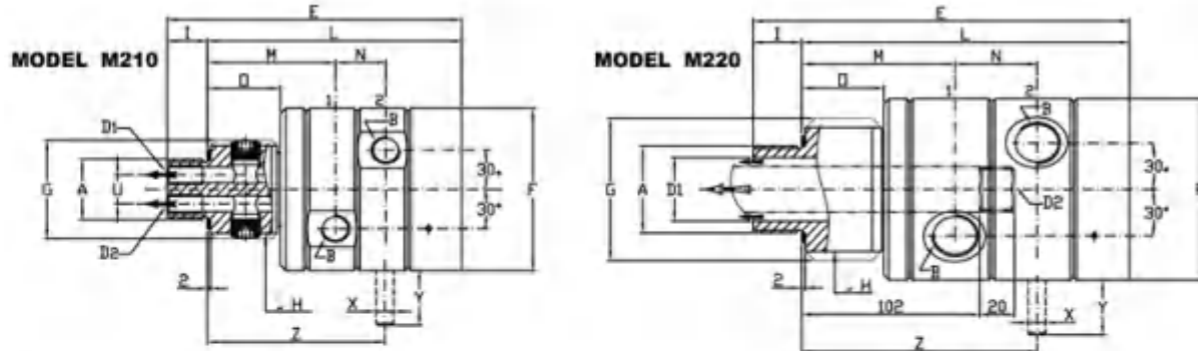




Ordering Code 订货代码		Double passage Unions 双通路接头																
Hydraulic Oil 液压油	Air 空气	A	B	D1	ØD2	E	ØF	ØG	H	I	L	M	N	O	ØX	Y	Z	Kg
M210-000-01R	M210-300-01R	G1" RH	G3/8"	G3/8"	9	169	89	54	48	23	146	73.5	29	42	30	30	102	4.5
M220-000-05R	M220-300-05R	G11/2" RH	G3/4"	G3/4"	19	216	99.5	78	68	28	188	88	47	47	30	30	135	6.5



Ordering Code 订货代码		Double passage Unions 双通路接头																
Hydraulic Oil 液压油	Air 空气	A	B	D1	D2	E	ØF	ØG	H	I	L	M	N	O	ØX	Y	Z	Kg
M210-002-01R	M210-302-01R	G1" RH	G3/8"	G3/8"	G3/8"	169	89	54	48	23	146	73.5	29	42	30	30	102	4.5
M220-002-01R	M220-302-01R	G11/2" RH	G3/4"	G3/4"	G3/4"	216	99.5	78	68	28	188	88	47	47	30	30	135	6.5



Ordering Code 订货代码		Double passage Unions 双通路接头																	
Hydraulic Oil 液压油	Air 空气	A	B	D1	D2	E	ØF	ØG	H	I	L	M	N	O	U	ØX	Y	Z	Kg
M210-003-01R	M210-303-01R	G1" RH	G3/8"	G1/8"	G3/8"	169	89	54	48	23	146	73.5	29	42	16	10	30	102	4.5
M220-004-03R	M220-304-03R	G11/2" RH	G3/4"	Ø35	G3/4"	216	99.5	78	68	28	188	88	47	47	-	10	30	135	6.5

■ Rotoflux 2-4-6 passages for high pressure and low speed  
用于高压和低速的2/4/6通路罗托福斯接头



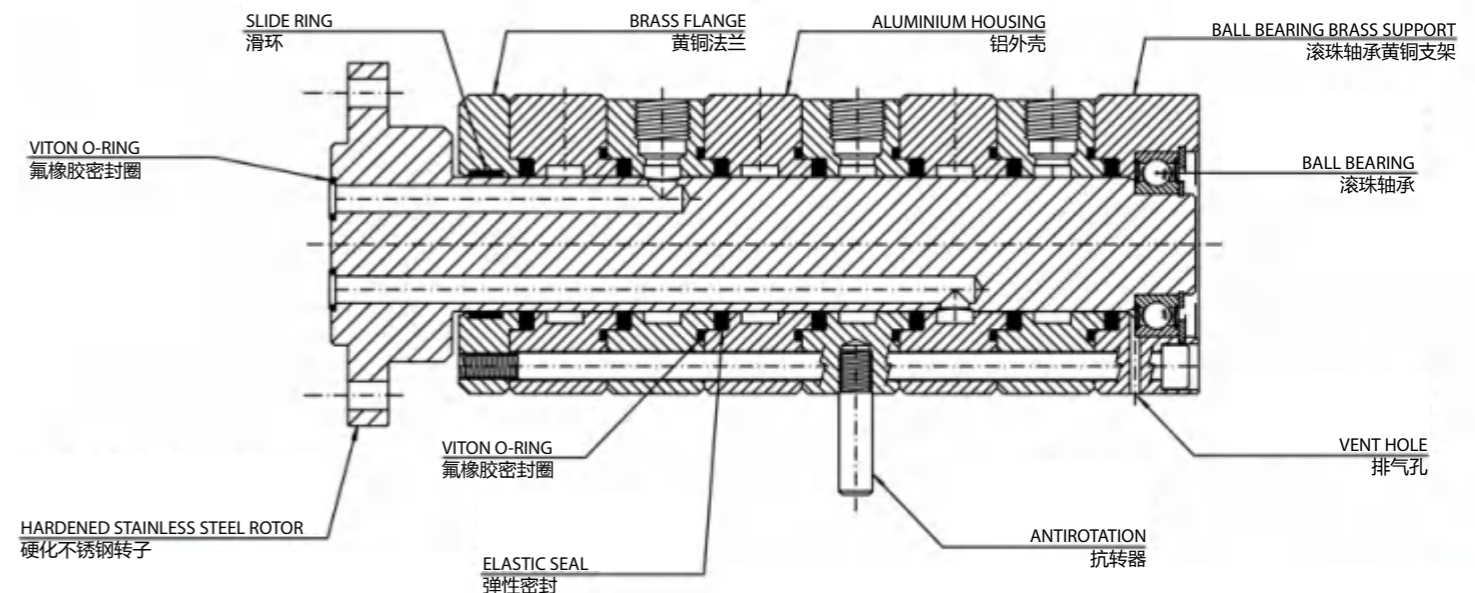
3/8"

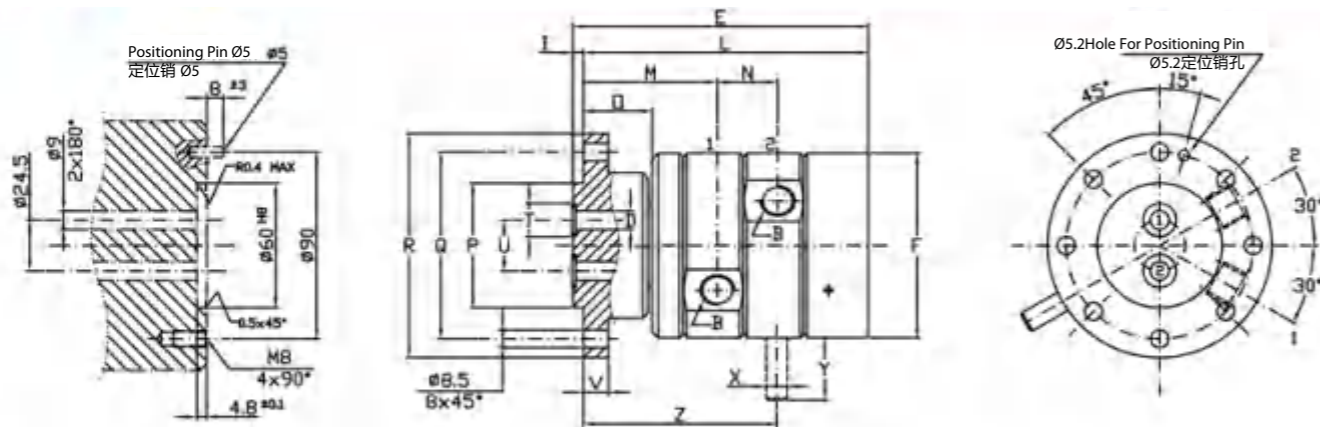
		°C °F	
Air 空气	10 bar / 145 PSI	90°C / 195°F	250
Hydraulic Oil 液压油	250 bar / 3.625 PSI		50 bar / 725 PSI > 250 250 bar / 3.625 PSI > 15

The ROTOFLUX unions model M, thanks to the special design of the seals and the surface of the rotor ground, hardened and lapped may operate at high fluid pressure and low rotation speed with low friction and wear. Also they may remain inactive for long periods without seizing. An antirotation pin is provided to prevent the rotation; stop it with a slack slot. To avoid contamination in case of leaks, it is necessary that one only type of fluid flows in both passages. Avoid to operate the union under pressure surges, and, at the max suggested operating limits, without consulting the ROTOFLUX customer service.

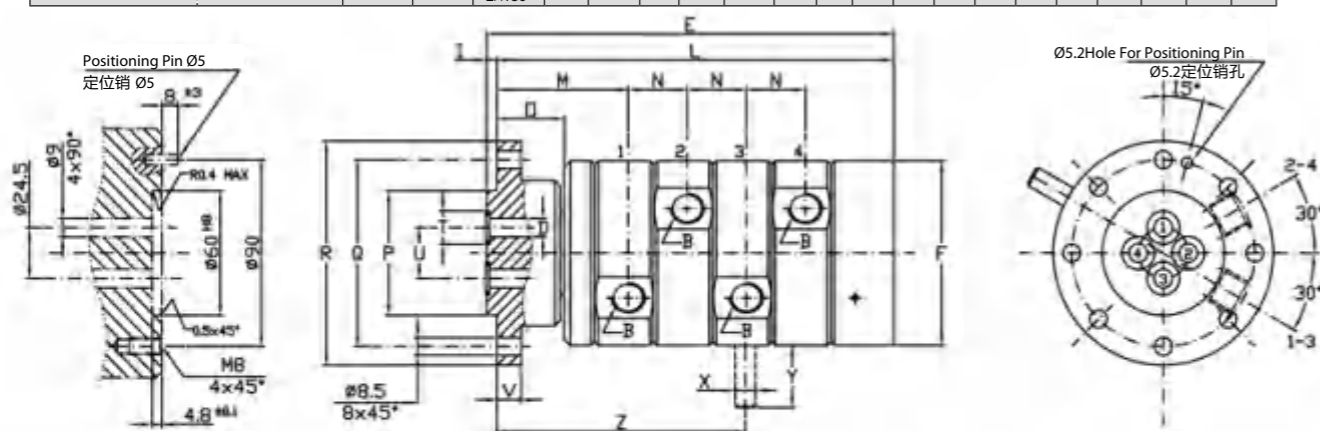
Special version for clean water available.

得益于转子表面经过硬化和研磨处理的密封件和整体的特殊设计，M型旋转式活接头可以在低摩擦和磨损、低转速和高流体压力下运行。同时它可以保持长时间不活动而不卡住。提供了一个防转销以防止旋转；用一个松弛的槽将其停止。为了避免泄漏时的污染，必须在两个通路中只流动一种流体。在未咨询ROTOFLUX客户服务的情况下，避免在压力激增情况下，以建议的最大工作极限运行罗托福斯接头。可提供用于清洁水体的特殊型号。

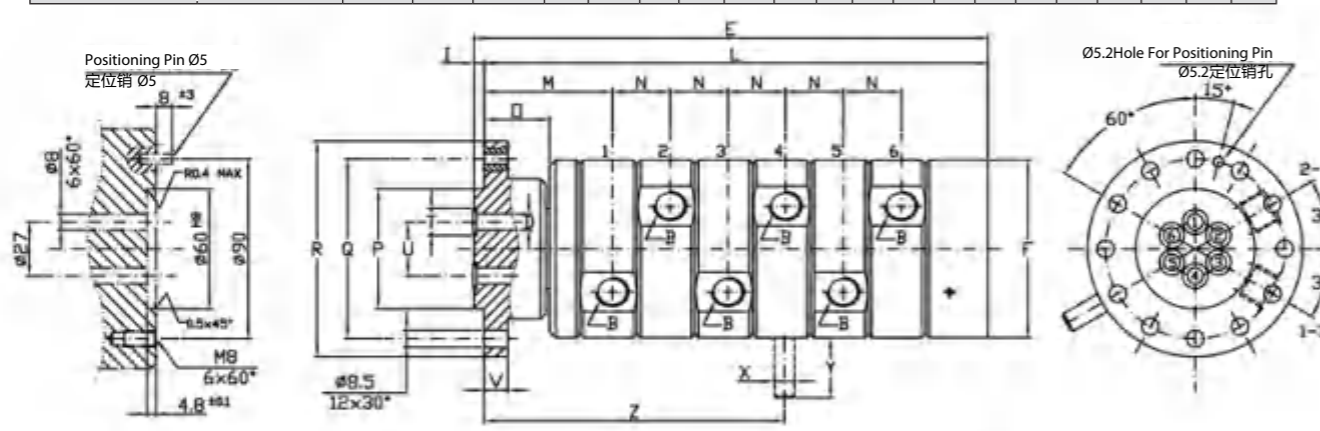




Ordering Code 订货代码		Double passage Unions 双通路接头																			
Hydraulic Oil 液压油	Air 空气	A	B	ØD	E	ØF	I	L	M	N	O	ØP	ØQ	ØR	ØT	ØU	V	ØX	Y	Z	Kg
M210-000-03F	M210-300-03F	G3/8"	G3/8"	$\frac{9}{2 \times 180^\circ}$	142	89	5	137	64.5	29	33	60	90	108	16	24.5	12	10	30	93	4.8



Ordering Code 订货代码		Four Passage Unions 四通路接头																			
Hydraulic Oil 液压油	Air 空气	A	B	ØD	E	ØF	I	L	M	N	O	ØP	ØQ	ØR	ØT	ØU	V	ØX	Y	Z	Kg
M410-000-03F	M410-300-03F	G3/8"	G3/8"	$\frac{9}{4 \times 90^\circ}$	200	89	5	195	64.5	29	33	60	90	108	16	24.5	12	10	30	122	6.0



Ordering Code 订货代码		Six Passage Unions 六通路接头																			
Hydraulic Oil 液压油	Air 空气	A	B	ØD	E	ØF	I	L	M	N	O	ØP	ØQ	ØR	ØT	ØU	V	ØX	Y	Z	Kg
M610-000-03F	M610-300-03F	G3/8"	G3/8"	$\frac{8}{6 \times 60^\circ}$	258	89	5	293	64.5	29	33	60	90	108	12.6	27	12	10	30	151	7.5

■ Rotoflux 2-4-6 passages with a straight centre bore  
带直中心孔的2/4/6通路罗托福斯接头



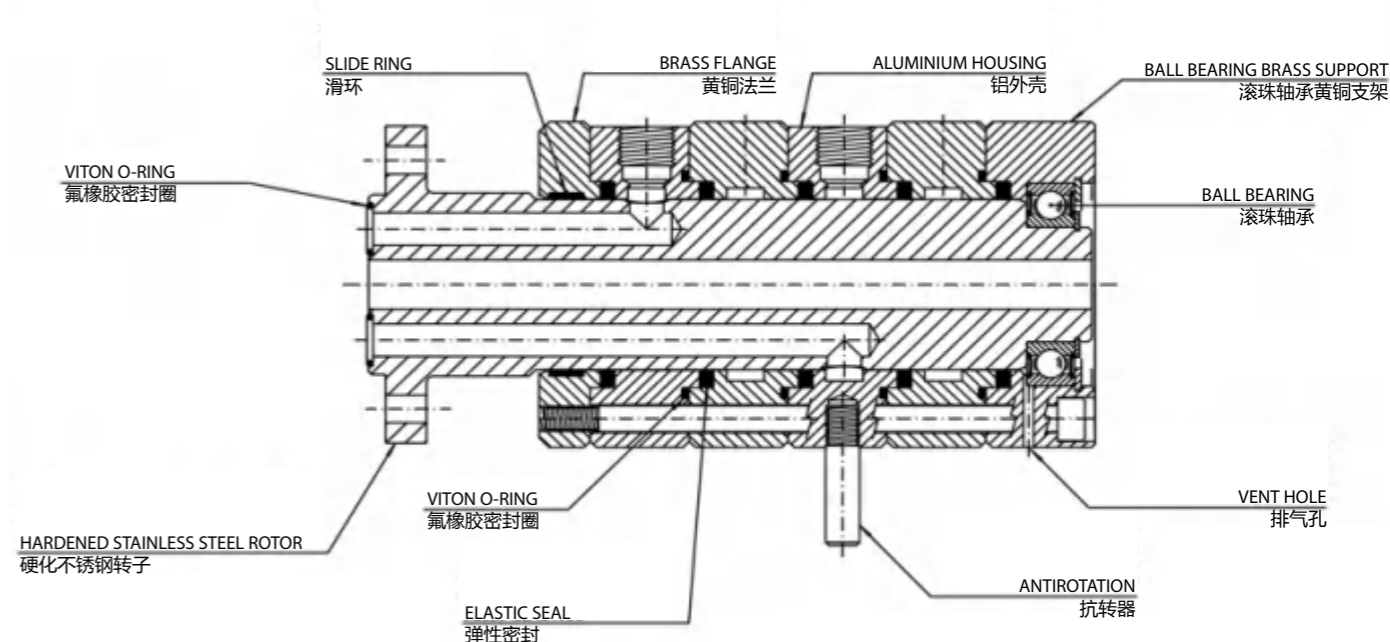
3/8"

Air 空气	10 bar / 145 PSI	90°C / 195°F	200
Hydraulic Oil 液压油	250 bar / 3.625 PSI		50 bar / 725 PSI $\triangleright$ 200 250 bar / 3.625 PSI $\triangleright$ 15

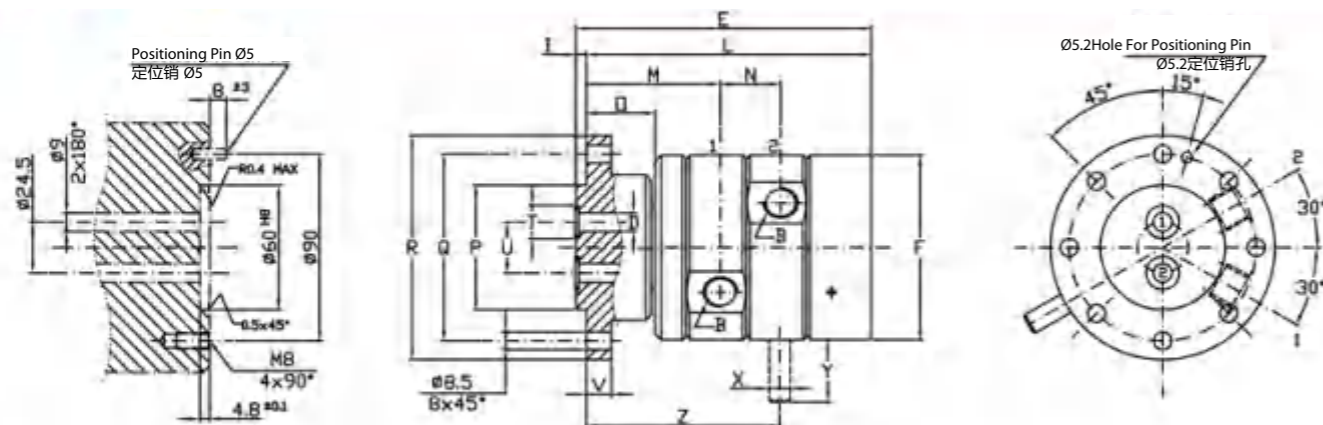
The ROTOFLUX unions model M, thanks to the special design of the seals and the surface of the rotor ground, hardened and lapped may operate at high fluid pressure and low rotation speed with low friction and wear. Also they may remain inactive for long periods without seizing. An antirotation pin is provided to prevent the rotation; stop it with a slack slot. To avoid contamination in case of leaks, it is necessary that one only type of fluid flows in both passages. Avoid to operate the union under pressure surges, and, at the max suggested operating limits, without consulting the ROTOFLUX customer service.

Special version for clean water available.

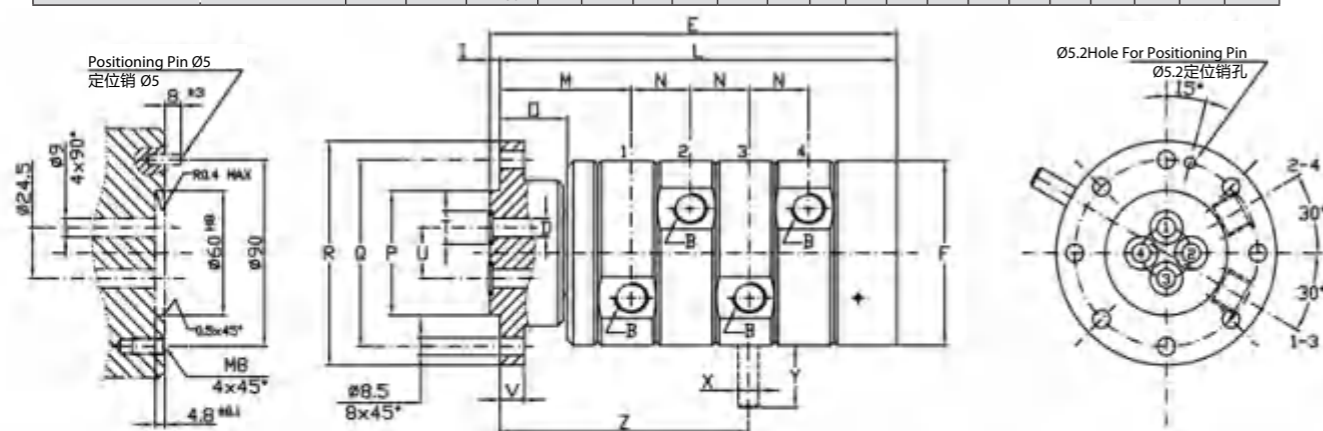
得益于转子表面经过硬化和研磨处理的密封件和整体的特殊设计，M型旋转式活接头可以在低摩擦和磨损、低转速和高流体压力下运行。同时它可以保持长时间不活动而不卡住。提供了一个防转销以防止旋转；用一个松弛的槽将其停止。为了避免泄漏时的污染，必须在两个通路中只流动一种流体。在未咨询ROTOFLUX客户服务的情况下，避免在压力激增情况下，以建议的最大工作极限运行罗托福斯接头。可提供用于清洁水体的特殊型号。



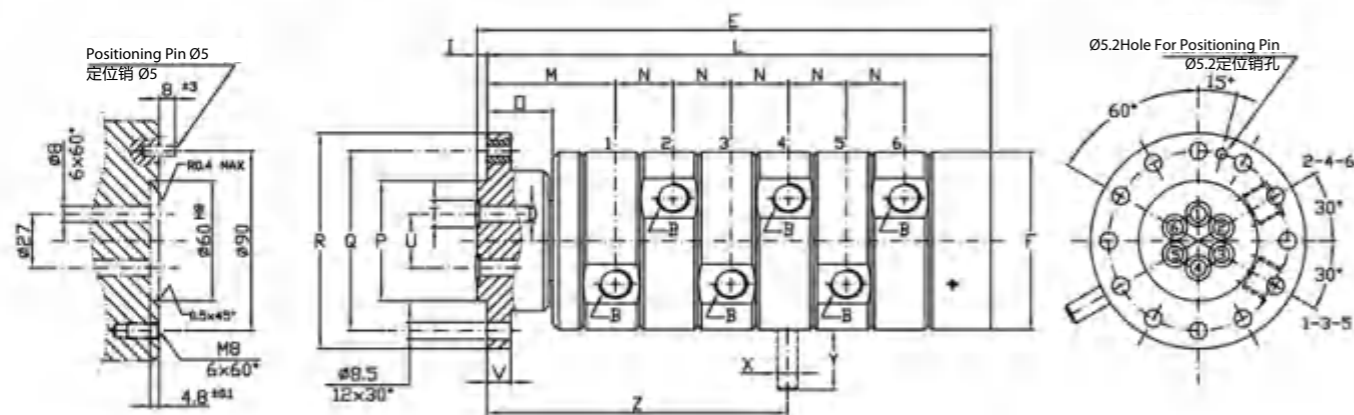




Ordering Code 订货代码		Double passage Unions 双通路接头															Kg				
Hydraulic Oil 液压油	Air 空气	B	∅C	∅D	E	∅F	I	L	M	N	O	∅P	∅Q	∅R	∅T	∅U		V	∅X	Y	Z
M210-200-F15	M210-400-F15	G 3/8"	15	<sup>10</sup> 2x180°	155	99.5	5	150	76.5	29	45	55	76	97	16	34	12	10	30	105	5.5



Ordering Code 订货代码		Four Passage Unions 四通路接头															Kg				
Hydraulic Oil 液压油	Air 空气	B	∅C	∅D	E	∅F	I	L	M	N	O	∅P	∅Q	∅R	∅T	∅U		V	∅X	Y	Z
M410-200-F15	M410-400-F15	G 3/8"	15	<sup>10</sup> 4x90°	213	99.5	5	208	76.5	29	45	55	76	97	16	34	12	10	30	134	7.5



Ordering Code 订货代码		Six Passage Unions 六通路接头															Kg				
Hydraulic Oil 液压油	Air 空气	B	∅C	∅D	E	∅F	I	L	M	N	O	∅P	∅Q	∅R	∅T	∅U		V	∅X	Y	Z
M610-200-F15	M610-400-F15	G 3/8"	15	<sup>10</sup> 6x60°	271	99.5	5	266	76.5	29	45	55	76	97	16	34	12	10	30	163	9.5

■ Rotoflux 8 passages for high pressure and low speed  
用于高压和低速的8通路罗托福斯接头



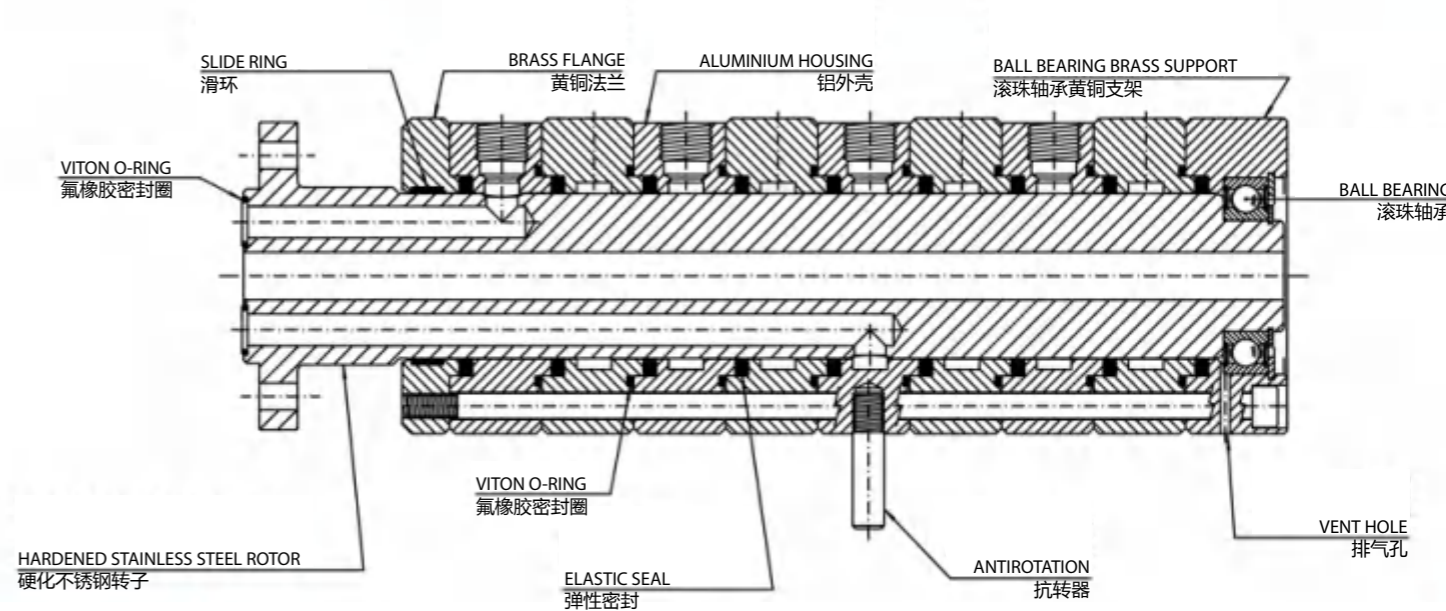
3/8"

		°C °F	
Air 空气	10 bar / 145 PSI	90°C / 195°F	200
Hydraulic Oil 液压油	250 bar / 3.625 PSI		50 bar / 725 PSI > 200 250 bar / 3.625 PSI > 15

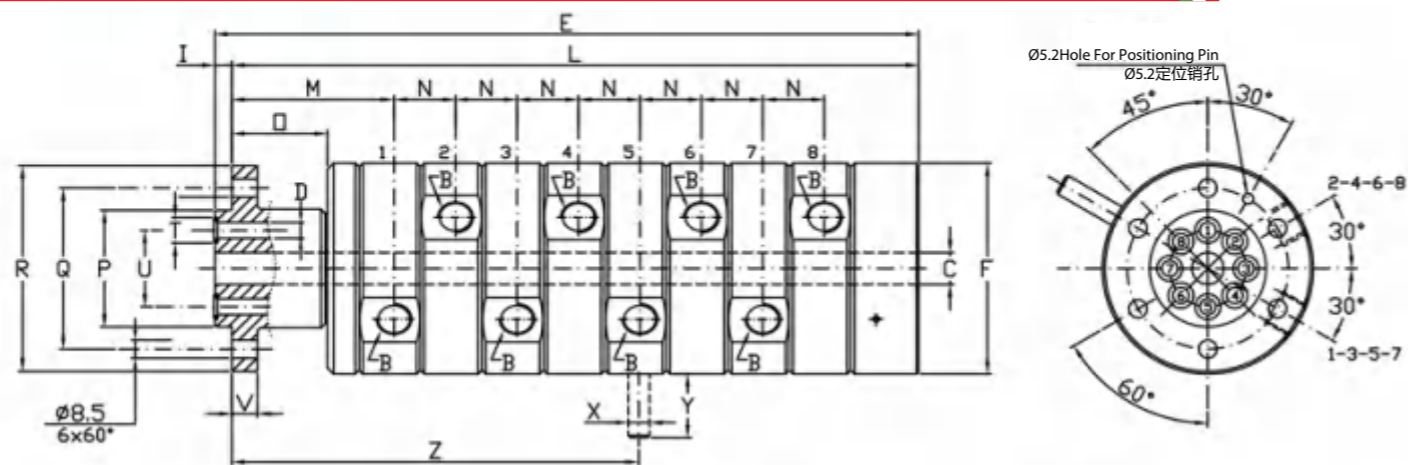
The ROTOFLUX unions model M, thanks to the special design of the seals and the surface of the rotor ground, hardened and lapped may operate at high fluid pressure and low rotation speed with low friction and wear. Also they may remain inactive for long periods without seizing. An antirotation pin is provided to prevent the rotation; stop it with a slack slot. To avoid contamination in case of leaks, it is necessary that one only type of fluid flows in both passages. Avoid to operate the union under pressure surges, and, at the max suggested operating limits, without consulting the ROTOFLUX customer service.

Special version for clean water available.

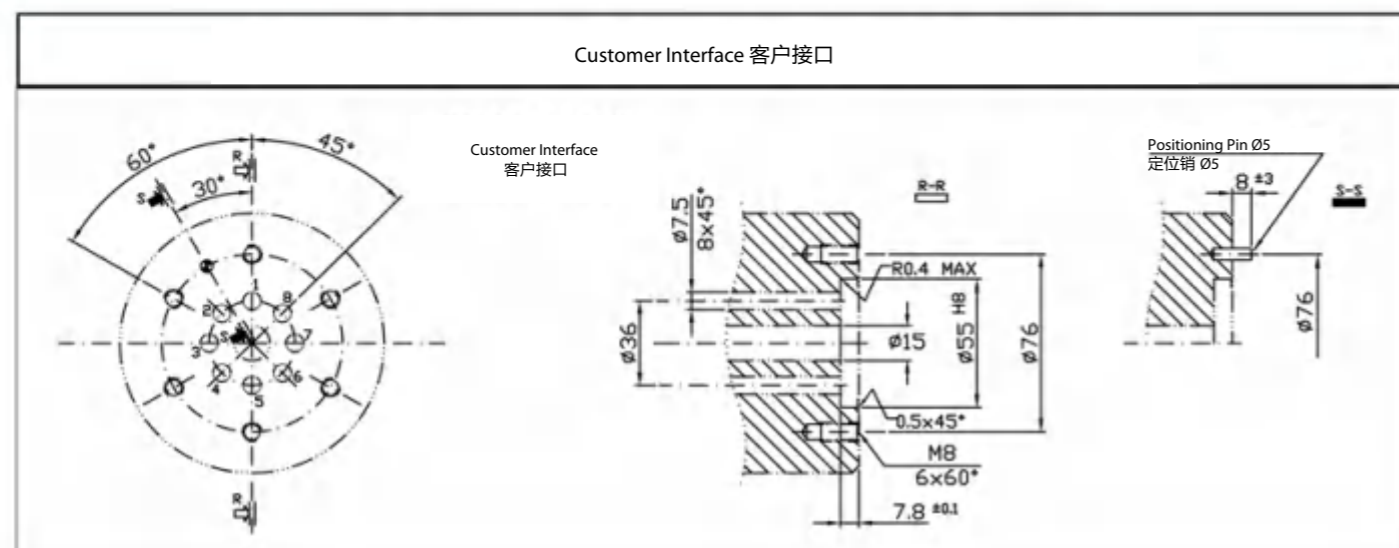
得益于转子表面经过硬化和研磨处理的密封件和整体的特殊设计，M型旋转式活接头可以在低摩擦和磨损、低转速和高流体压力下运行。同时它可以保持长时间不活动而不卡住。提供了一个防转销以防止旋转；用一个松弛的槽将其停止。为了避免泄漏时的污染，必须在两个通路中只流动一种流体。在未咨询ROTOFLUX客户服务的情况下，避免在压力激增情况下，以建议的最大工作极限运行罗托福斯接头。可提供用于清洁水体的特殊型号。







Ordering Code 订货代码		Eight passages Unions 八通路接头																			
Hydraulic Oil 液压油	Air 空气	B	ØC	ØD	E	ØF	I	L	M	N	O	ØP	ØQ	ØR	ØT	ØU	V	ØX	Y	Z	Kg
M810-200-F15	M810-400-F15	G 3/8"	15	7.5 8x45°	332	99.5	8	324	76.5	29	45	55	76	97	12	36	12	10	30	192	11



■ Rotoflux 5 passages with a centre bore  
带中心孔的5通路罗拓福斯接头

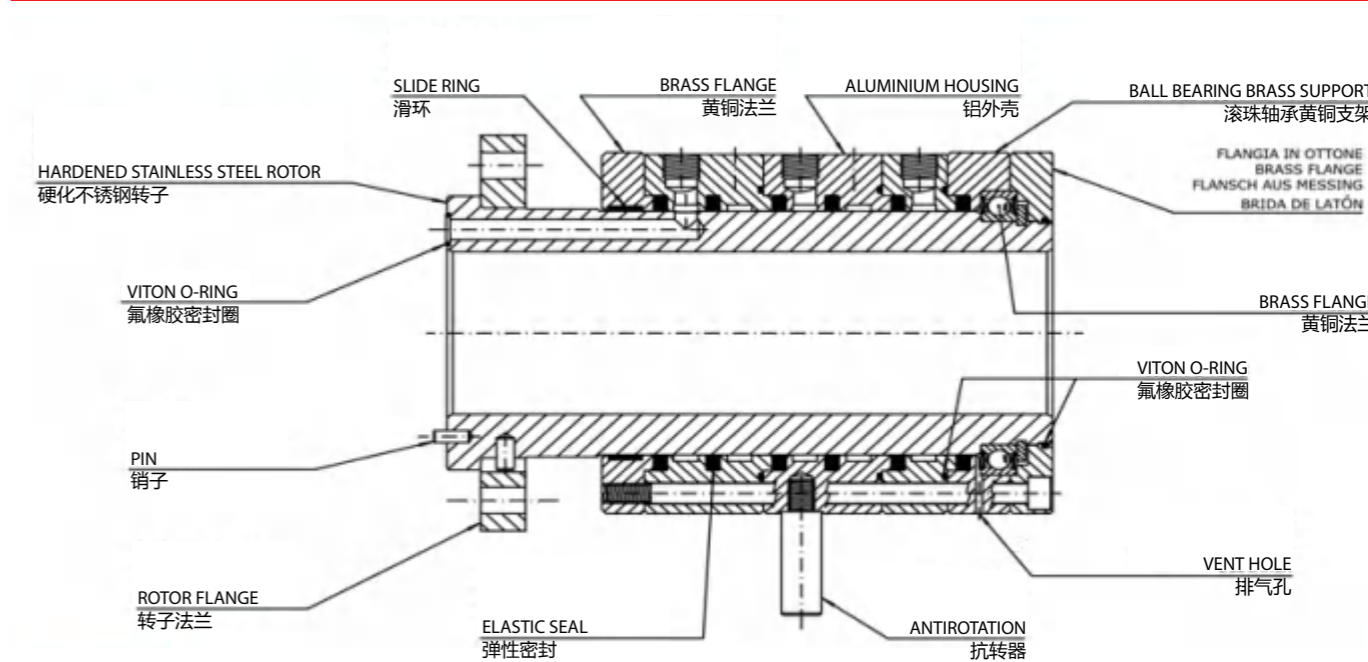


3/8"

		°C °F	
Air 空气	10 bar / 145 PSI	90°C / 195°F	80
Hydraulic Oil 液压油	250 bar / 3.625 PSI		50 bar / 725 PSI > 80 250 bar / 3.625 PSI > 15

The ROTOFLUX unions model M, thanks to the special design of the seals and the surface of the rotor ground, hardened and lapped may operate at high fluid pressure and low rotation speed with low friction and wear, for long time. Also they may remain inactive for long periods without seizing. An antirotation pin is provided to prevent the rotation; stop it with a slack slot. To avoid contamination in case of leaks, it is necessary that one only type of fluid flows in both passages. Avoid to operate the union under pressure surges, and, at the max suggested operating limits, without consulting the ROTOFLUX customer service. Special version for clean water available.

得益于转子表面经过硬化和研磨处理的密封件和整体的特殊设计，M型旋转式活接头可以在低摩擦和磨损、低转速和高流体压力下长时间运行。同时它可以保持长时间不活动而不卡住。提供了一个防转销以防止旋转；用一个松弛的槽将其停止。为了避免泄漏时的污染，必须在两个通路中只流动一种流体。在未咨询ROTOFLUX客户服务的情况下，避免在压力激增情况下，以建议的最大工作极限运行罗拓福斯接头。可提供用于清洁水体的特殊型号。

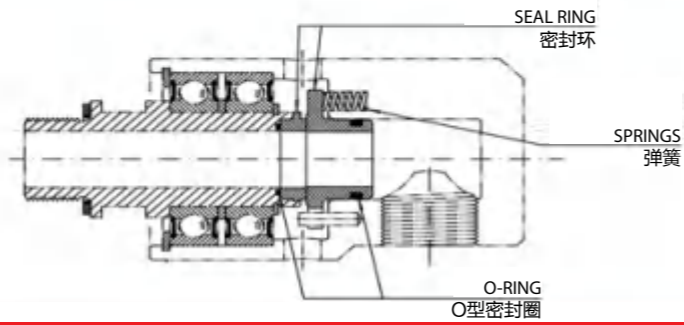




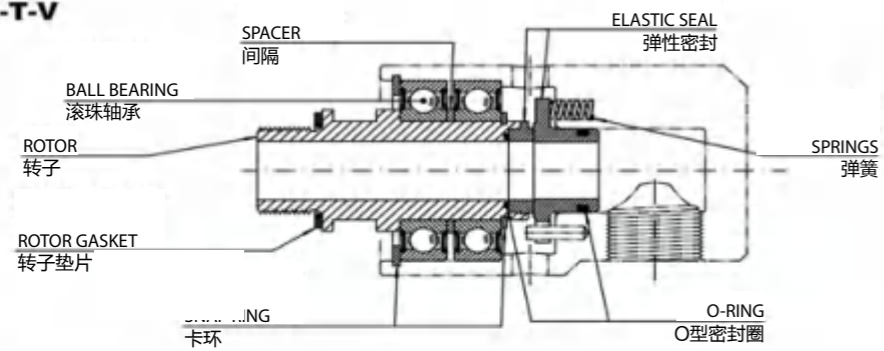


■ Rotoflux spare parts  
罗拓福斯配件

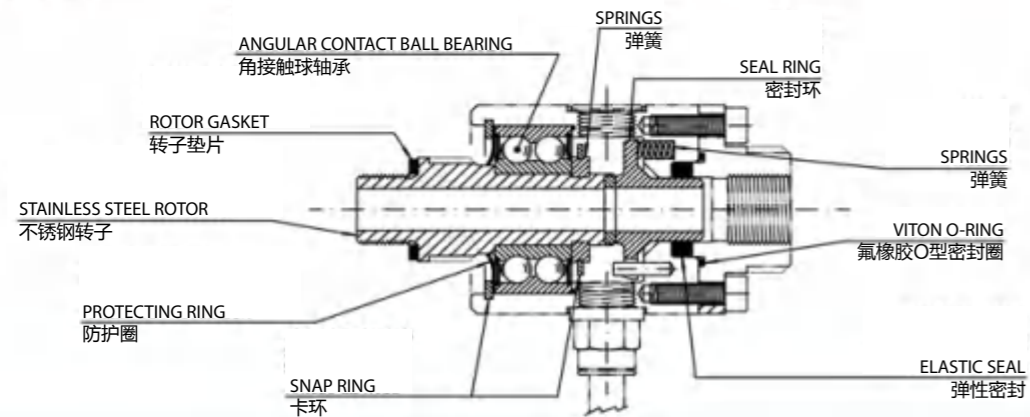
**SEAL KIT  
MODELS S-F-H-T-V**



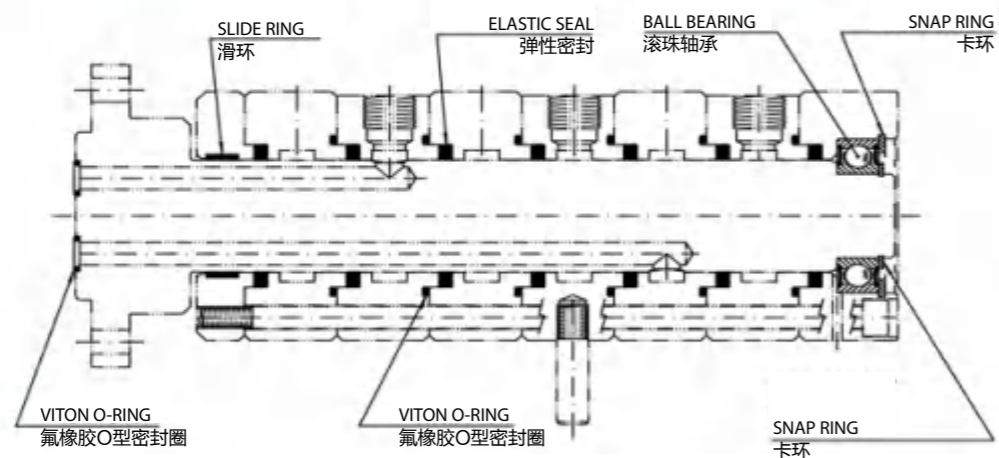
**COMPLETE KIT  
MODELS S-F-H-T-V**



**KIT MODEL C**



**KIT MODEL M**







▼ **Headquarters and Production in ITALY**  
 ROTOFLUX s.r.l.  
 Via Darwin 19 20090 Trezzano S/N Milano - Italy  
 意大利公司总部及生产基地  
 意大利·米兰·特雷扎诺·达尔文19号  
 邮编20090  
 T/电话: [+39] 02.57607378  
 F/传真: [+39] 02. 57605219  
 E-mail/邮箱: rotoflux@rotoflux.com

▼ **Subsidiary in GERMANY ROTOFLUX**  
 Deutschland GmbH  
 Anton-Langlotz-Str.1 68782 Brihl Germany  
 德国分公司  
 德国布里尔安东兰格洛茨街1号  
 邮编: 68782  
 T/电话: [+49] 6202.9451340  
 F/传真: [+49] 6202.9451350  
 E-mail/邮箱: post@rotoflux.info

▼ **Subsidiary in CHINA**  
 ROTOFLUX Asia  
 No.55 Yingluohe Road Daqi Automotive  
 Zone Beilun District, Ningbo 315806 - China  
 罗拓福斯亚洲 中国分公司  
 宁波市北仑区大碶汽配园区瓔珞河路55号  
 邮编: 315806  
 T/电话: [+86] 574. 55833957  
 E-mail/邮箱: sales@rotofluxasia.com

▼ **Authorised Dealer**  
 授权经销商